

Description: 1608 Balun

PART NUMBER: BLN1608LWK8R2400A

Features:

- Compact size
- RoHS compliant
- AEC-Q200 certificated

Applications:

- WLAN.



Net weigh/pcs (g): 0.0022

ELECTRICAL SPECIFICATIONS

Frequency range (MHz)	Insertion Loss (dB)		Return Loss (dB)	
2400~2500	1.5 max.		9.5 min.	
Attenuation @ differential mode (dB)	Phase difference (deg.)	Amplitude difference (dB)	Unbalance port impedance (Ω)	Balance port impedance (Ω)
25 min. @ 4800~5000 MHz	180 \pm 10 $^\circ$	2 max.	50	200
20 min. @ 7200~7500 MHz				

Operating Temperature Range : -40~125°C

Power Capacity : 3W max.

In the effort to improve our products, we reserve the right to make changes judged to be necessary.

CONFIDENTIAL AND PROPRIETARY INFORMATION

This document contains confidential and proprietary information of Pulse Electronics, Inc. (Pulse) and is protected by copyright, trade secret and other state and federal laws. Its receipt or possession does not convey any rights to reproduce, disclose its contents, or to manufacture, use or sell anything it may describe. Reproduction, disclosure or use without specific written authorization of Pulse is strictly forbidden.

For more information:



Pulse Worldwide Headquarters
15255 Innovation Drive #100
San Diego, CA 92128
USA
Tel:1-858-674-8100

Pulse/Larsen Antennas
18110 SE 34th St Bldg 2 Suite 250
Vancouver, WA 98683
USA
Tel: 1-360-944-7551

Europe Headquarters
Pulse GmbH & Do, KG
Zeppelinstrasse 15
Herrenberg, Germany
Tel: 49 7032 7806 0

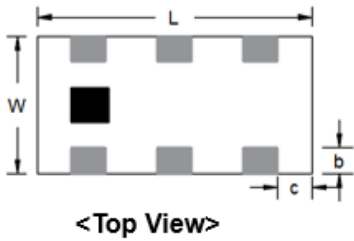
Pulse (Suzhou) Wireless Products Co, Inc.
99 Huo Ju Road(#29 Bldg,4th Phase
Suzhou New District
Jiangsu Province, Suzhou 215009 PR China
Tel: 86 512 6807 9998

Description: 1608 Balun

PART NUMBER: BLN1608LWK8R2400A

MECHANICAL DIMENSION

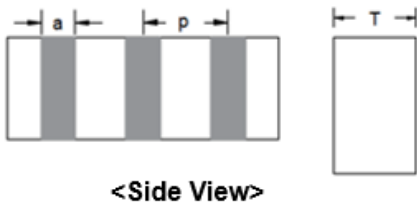
Outline



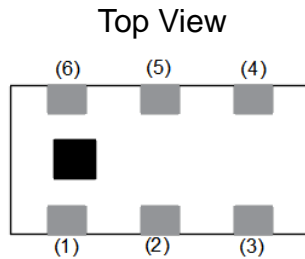
Dimension

L	W	T	a
1.60±0.10	0.80±0.10	0.60±0.10	0.30±0.10
B	c	p	
0.20±0.10	0.15±0.10	0.55±0.05	

NOTE : Dimensions in mm.

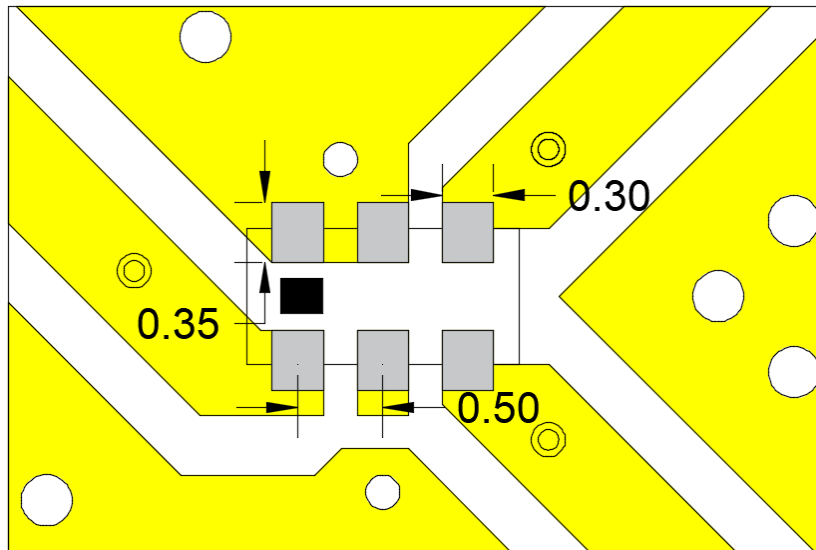


Termination



Terminal name	Function
P1	Unbalance
P2	NC
P3	Balance
P4	Balance
P5	GND
P6	GND

Reference design of EVB



Unit : mm

Line width should be designed to match 50Ω characteristic impedance, depending on PCB material and thickness.

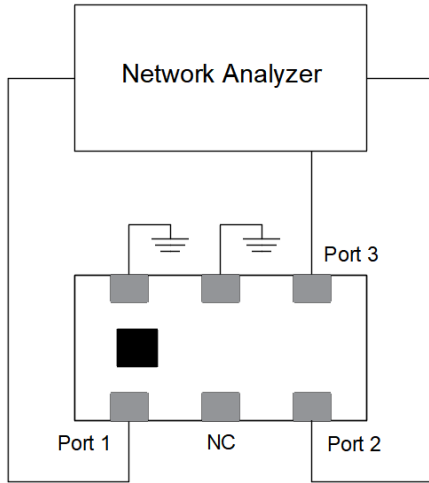
In the effort to improve our products, we reserve the right to make changes judged to be necessary.
CONFIDENTIAL AND PROPRIETARY INFORMATION

This document contains confidential and proprietary information of Pulse Electronics, Inc. (Pulse) and is protected by copyright, trade secret and other state and federal laws. Its receipt or possession does not convey any rights to reproduce, disclose its contents, or to manufacture, use or sell anything it may describe. Reproduction, disclosure or use without specific written authorization of Pulse is strictly forbidden.

Description: 1608 Balun

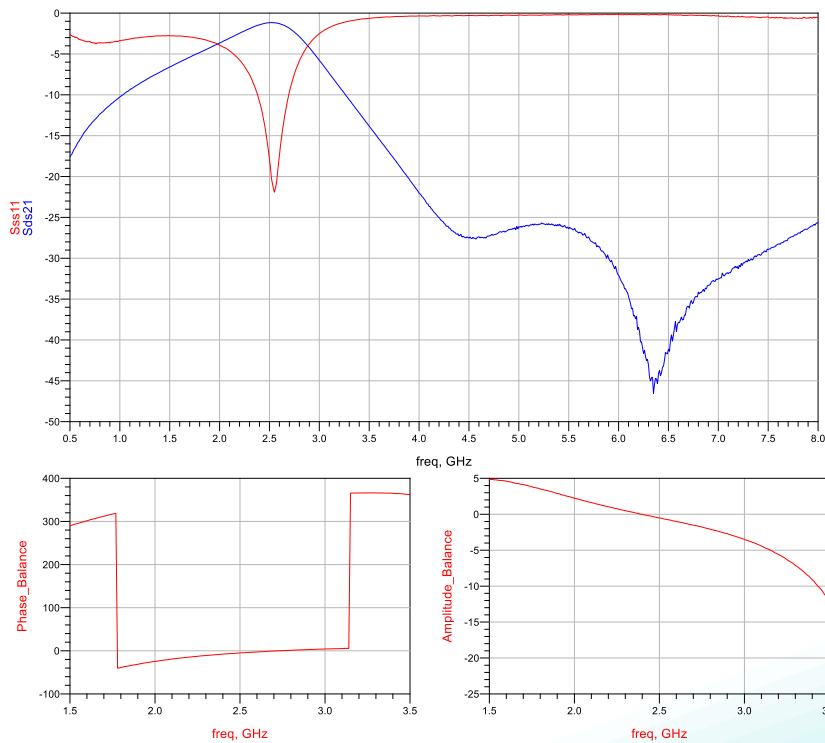
PART NUMBER: BLN1608LWK8R2400A

MEASURING DIAGRAM



Test Instrument :
Agilent E5071A Network Analyzer.

ELECTRICAL PERFORMANCES



In the effort to improve our products, we reserve the right to make changes judged to be necessary.
CONFIDENTIAL AND PROPRIETARY INFORMATION

This document contains confidential and proprietary information of Pulse Electronics, Inc. (Pulse) and is protected by copyright, trade secret and other state and federal laws. Its receipt or possession does not convey any rights to reproduce, disclose its contents, or to manufacture, use or sell anything it may describe. Reproduction, disclosure or use without specific written authorization of Pulse is strictly forbidden.

Description: 1608 Balun

PART NUMBER: BLN1608LWK8R2400A

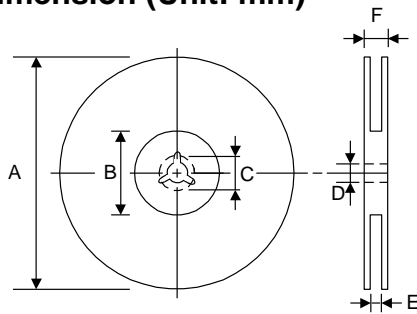
PACKING SPECIFICATION

Peel-off force



The force for peeling of cover tape is 10 grams in the arrow direction.

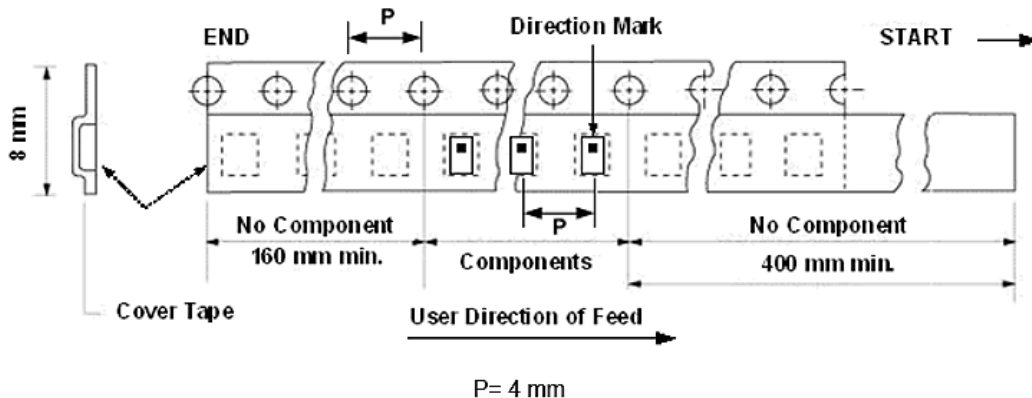
Dimension (Unit: mm)



TYPE	A	B	C	D	E	F
8 mm	178±1	60+0.5 -0	-	13±0.2	9±0.5	12±0.5
12 mm	178±0.3	60±0.2	19.3±0.1	13.5±0.1	13.6±0.1	-

Taping quantity

SERIES	5824 5724	5320 5220	4532	4516	3225	3216 2520	2012 1608	1005 0605
PCS/Reel	5000	3000	1000	2000	2500	3000	4000	10000



In the effort to improve our products, we reserve the right to make changes judged to be necessary.
CONFIDENTIAL AND PROPRIETARY INFORMATION

This document contains confidential and proprietary information of Pulse Electronics, Inc. (Pulse) and is protected by copyright, trade secret and other state and federal laws. Its receipt or possession does not convey any rights to reproduce, disclose its contents, or to manufacture, use or sell anything it may describe. Reproduction, disclosure or use without specific written authorization of Pulse is strictly forbidden.

Description: 1608 Balun

PART NUMBER: BLN1608LWK8R2400A

REVISION HISTORY

Revision	Date	Description
Version 1	Apr. 18, 2023	- New issue
Version 2	May. 07, 2023	- Update electrical specifications