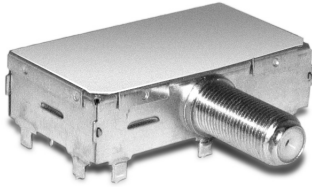


# DIPLEXERS FOR MULTIMEDIA OVER COAX DEVICES

## MOCA®



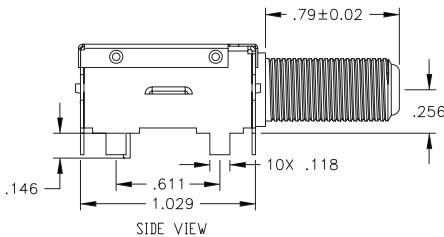
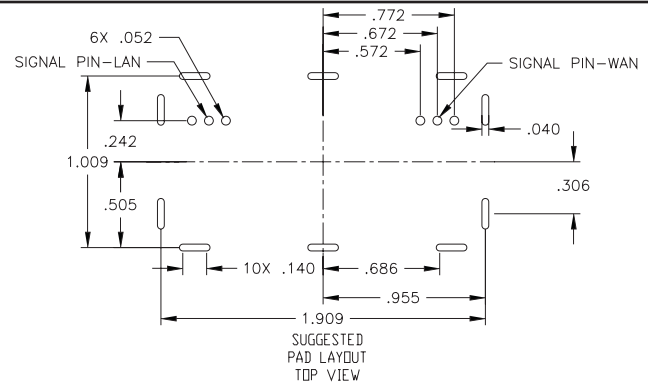
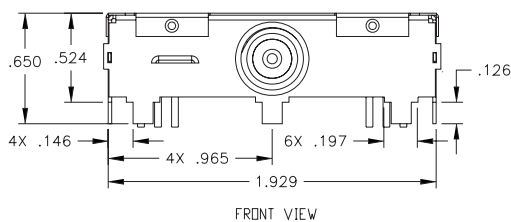
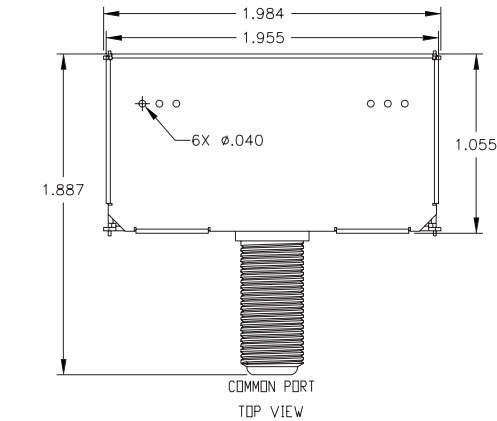
- ✔ Supports Multimedia over Coax Alliance (MoCA®) applications, including set-top boxes, gateway devices and wireless interfaces
- ✔ Allows video, broadband and cable services to coexist on coax
- ✔ Supports TelcoTV and IPTV applications
- ✔ Frequency compliant to Entropic c-LINK™ dual-channel chipset
- ✔ Pulse is a member of the MoCA® Alliance
- ✔ Patent pending

### Electrical Specifications @ 25°C

Part Number	Low Pass Filter WAN (MHz)	High Pass Filter LAN (MHz)	Impedance (Ω)
C6058	975-1025	1125-1525	75
C6141NL <sup>1,2</sup>	975-1025	1125-1525	75

1. C6141NL Pin outs are opposite with that of the C6058  
2. NL - Lead Free

### Mechanical



Weight ..... 20 grams  
Tray ..... 20/tray

Dimensions: Inches  
mm  
Unless otherwise specified, all tolerances are ± .010  
0,25

### For More Information:

**Pulse Worldwide Headquarters**  
12220 World Trade Dr.  
San Diego, CA 92128  
U.S.A.

**Pulse Europe**  
Einsteinstrasse 1  
D-71083 Herrenberg  
Germany

**Pulse China Headquarters**  
B402, Shenzhen Academy of  
Aerospace Technology Bldg.  
10th Kejinan Rd.  
High-Tech Zone  
Nanshan District  
Shenzhen, PR China 518057  
TEL: 86 755 33966678  
FAX: 86 755 33966700

**Pulse North China**  
Room 1503  
XinYin Building  
No. 888 YiShan Rd.  
Shanghai 200233  
China

**Pulse South Asia**  
150 Kampong Ampat  
#07-01/02  
KA Centre  
Singapore 368324

**Pulse North Asia**  
No. 26, Kao Ching Rd.  
Yang Mei Chen  
Taoyuan Hsien  
Taiwan  
R. O. C.

**www.pulseeng.com**  
Tel: 858 674 8100  
Fax: 858 674 8262

Tel: 49 7032 7806 0  
Fax: 49 7032 7806 135

Tel: 86 21 54643211/2  
Fax: 86 21 54643210

Tel: 65 6287 8998  
Fax: 65 6280 0080

Tel: 886 3 4643715  
Fax: 886 3 4641911

Performance warranty of products offered on this data sheet is limited to the parameters specified. Data is subject to change without notice. Other brand and product names mentioned herein may be trademarks or registered trademarks of their respective owners.

© Copyright, 2006. Pulse Engineering, Inc. All rights reserved.

[www.pulseeng.com](http://www.pulseeng.com)

C252.B (10/08)