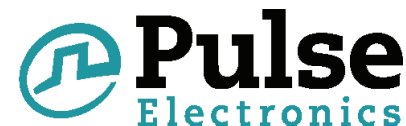


# PIMinator™ Series Low PIM In-building Omni MIMO Antenna with 500 mm Plenum rated Pigtail and Mini Din Connector

Pulse Part Number DAS500MDMIMO



Industry leading -155 dBc certified low Passive Inter-Modulation (PIM) Distributed Antenna System (DAS) In-Building ceiling mount omni MIMO antennas. The Pulse Electronics line of DAS in-building low PIM omni antennas meets the most demanding PIM requirements for 2G, 3G, and LTE/4G bands.

These low PIM antennas help meet increasing demand for high data rates and streaming video for mobile devices. The wide band design meets the needs of operators around the world.

## Features

- Multiple input / multiple output (MIMO) provides network carrier greater data rates for improved customer experience.
- Industry leading -155 dBc PIM rating
- Covers cellular bands, WiFi and WiMAX from 698 through 5900 MHz
- Aesthetically pleasing injection molded radome
- PIM certified
- RoHS compliant product
- Patent pending

## Applications

- In-Building DAS systems requiring best PIM performance
- Multiple input/multiple output (MIMO) allows fewer antennas in multi-carrier, neutral host applications.



Confidential and Proprietary — Pulse Electronics — All Rights Reserved — 2013

*This document contains confidential and proprietary information of Pulse Electronics, Inc. (Pulse) and is protected by copyright, trade secret and other state and federal laws. Its receipt or possession does not convey any rights to reproduce, disclose its contents, or to manufacture, use or sell anything it may describe. Reproduction, disclosure or use without specific written authorization of Pulse is strictly forbidden.*

# PIMinator™ Series

## Low PIM In-building Omni MIMO Antenna with 500 mm Plenum rated Pigtail and Mini Din Connector

Pulse Part Number DAS500MDMIMO

### Electrical Specifications

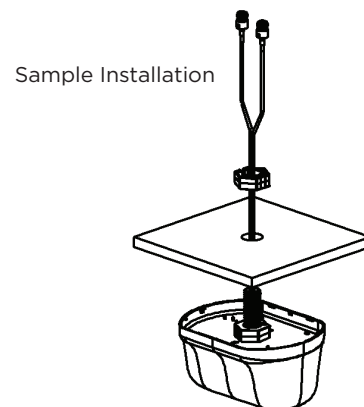
Frequency [MHz]		698-960/1710-2170/ 2300-2700/4900-5900
Nominal Impedance [ $\Omega$ ]		50
VSWR	698-960 MHz	1.7:1 Max
	1710-5900 MHz	1.7:1 Max
Isolation [db]		< -25
Gain	698-960 MHz [dBi typ]	2
	1710-5900 MHz [dBi typ]	5
Radiation Pattern	HPBW Horizontal Plane at 45° [°]	360
	HPBW Vertical Plane (698-960) [° typ]	85
	HPBW Vertical Plane (1710-2700) [° typ]	50
	HPBW Vertical Plane (4900-5900) [° typ]	30
Polarization		Vertical
Power Rating [W]		50
PIM at 2x20 Watts [dBc]		-155
Connector		MINI DIN
Cable Type		Dia. 0.160" low loss, low PIM, Plenum Rated

### Environmental Specifications

Operating Temperature [°C]	-40 to +70
----------------------------	------------

### Mechanical Specifications

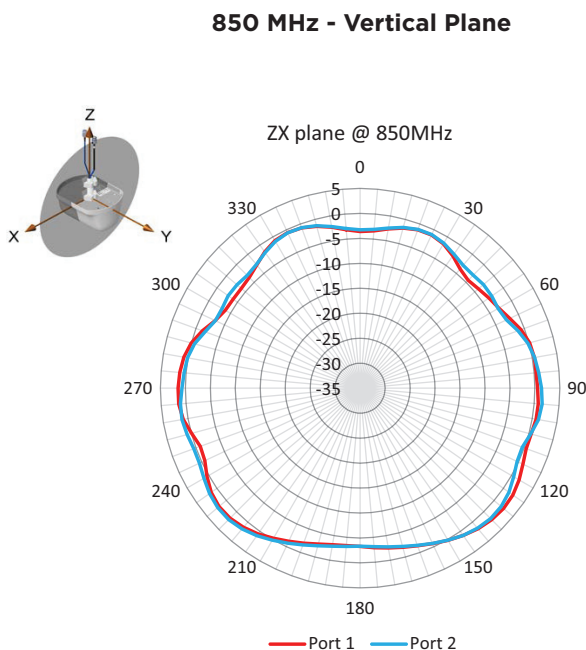
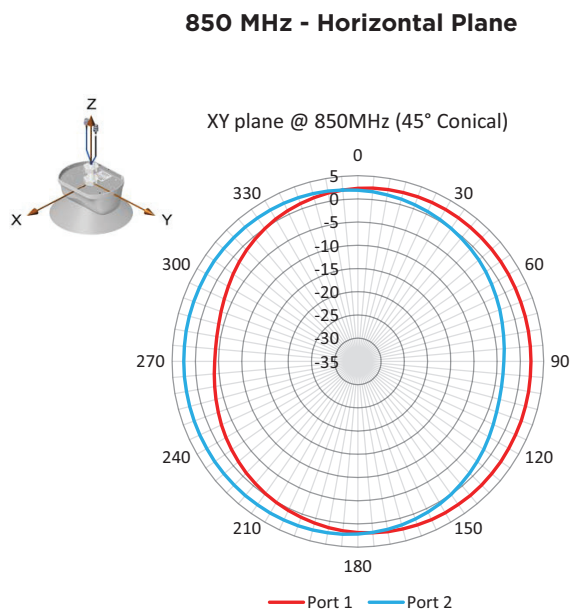
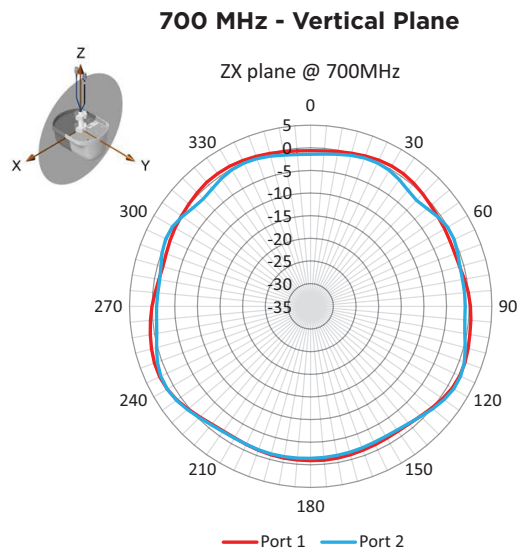
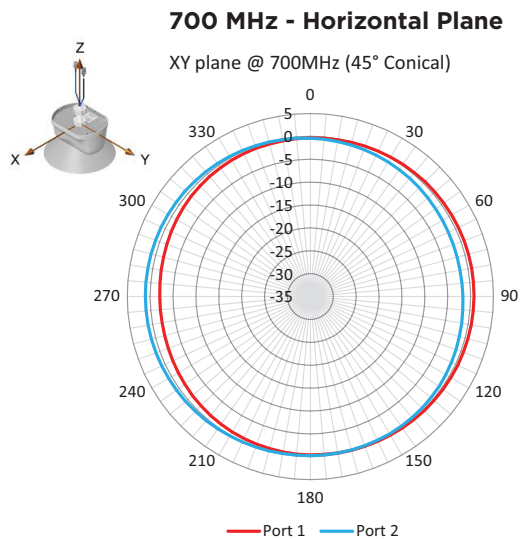
Radome Material	UV Protected, UL94 V-0
Color	White
Weight [oz/g]	19.04 / 540
Overall Height [Inches/mm]	4.72 / 120
Length [Inches/mm]	8.73/222
Width [Inches/mm]	6.73/171
Mounting	Ceiling



# PIMinator™ Series Low PIM In-building Omni MIMO Antenna with 500 mm Plenum rated Pigtail and Mini Din Connector

Pulse Part Number DAS500MDMIMO

## Radiation Patterns

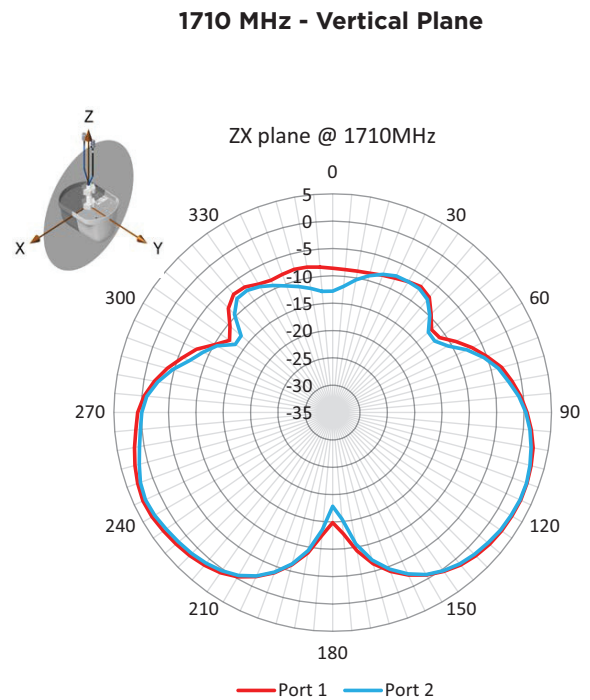
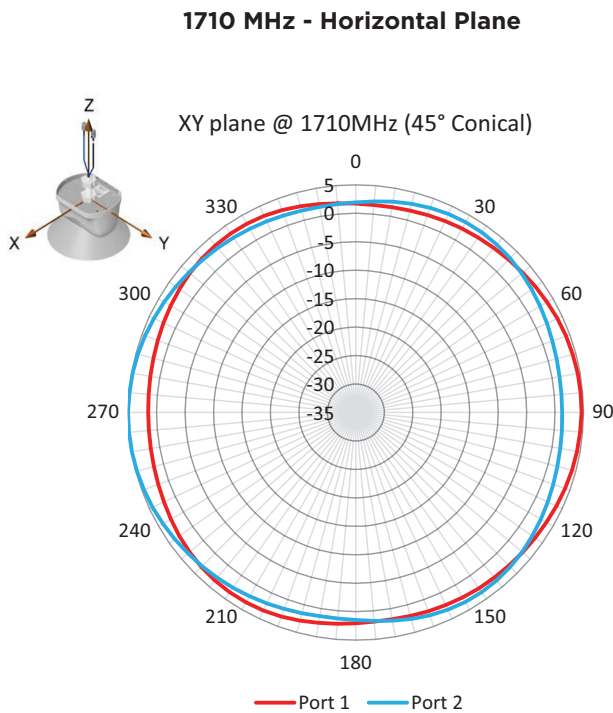
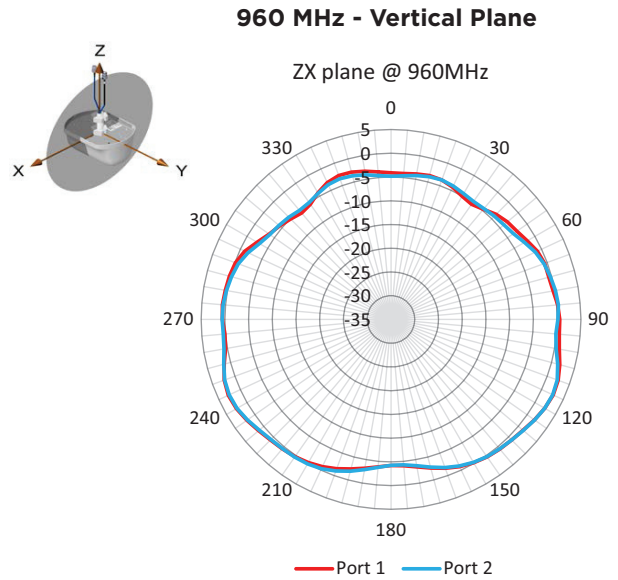
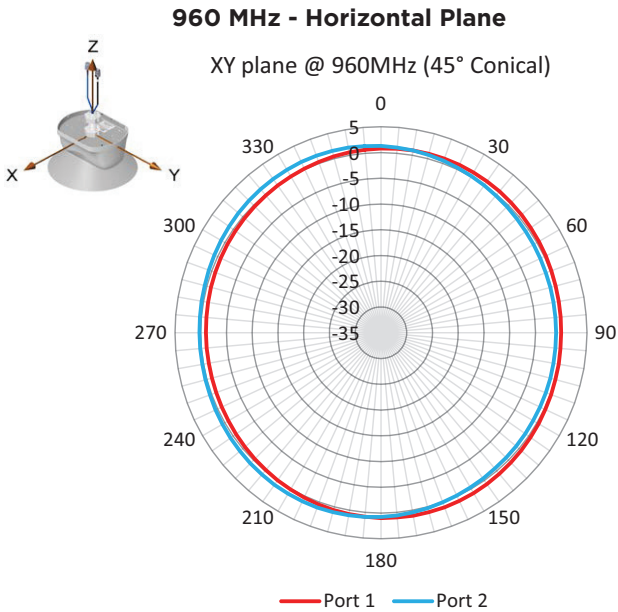


# PIMinator™ Series

## Low PIM In-building Omni MIMO Antenna with 500 mm Plenum rated Pigtail and Mini Din Connector

Pulse Part Number DAS500MDMIMO

### Radiation Patterns

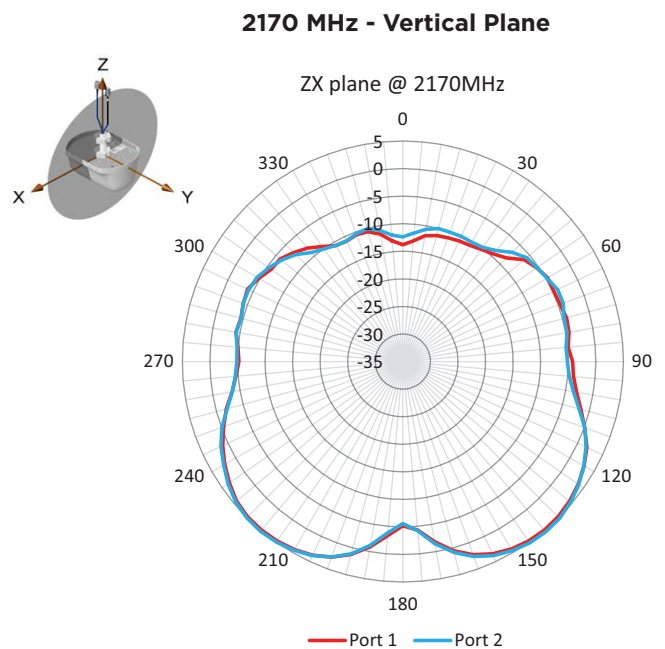
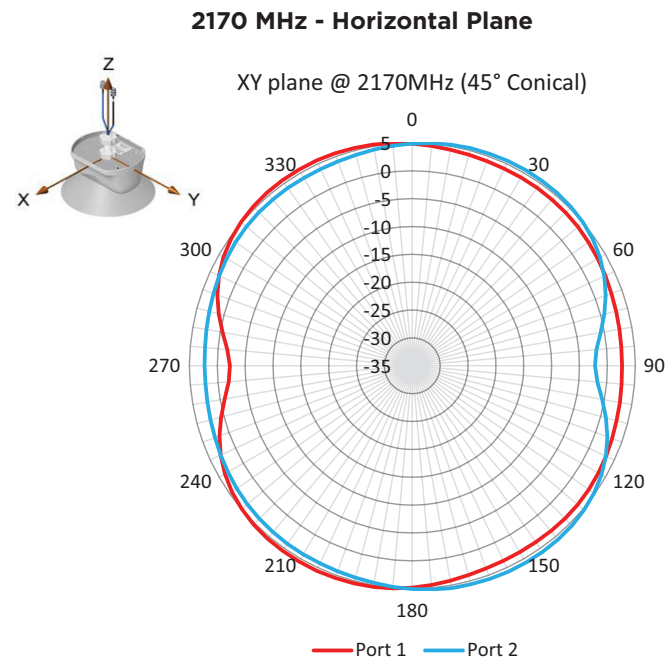
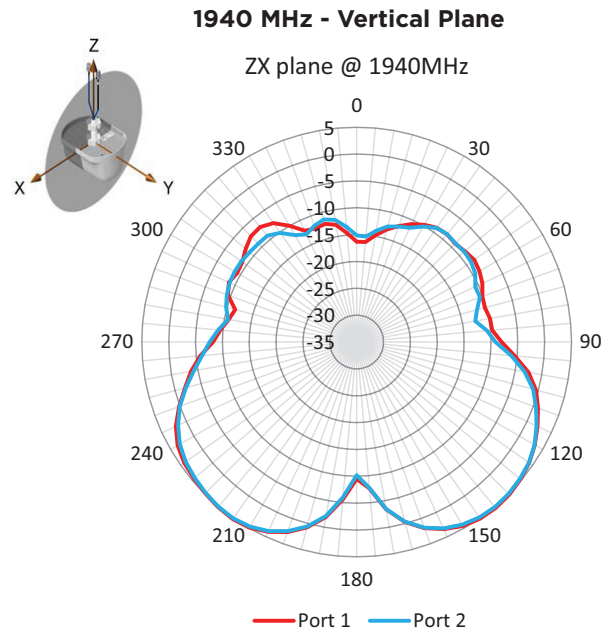
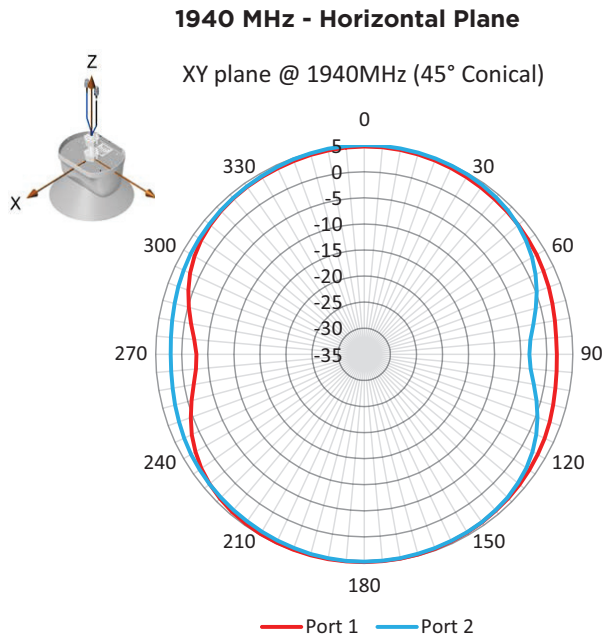


# PIMinator™ Series

## Low PIM In-building Omni MIMO Antenna with 500 mm Plenum rated Pigtail and Mini Din Connector

Pulse Part Number DAS500MDMIMO

### Radiation Patterns



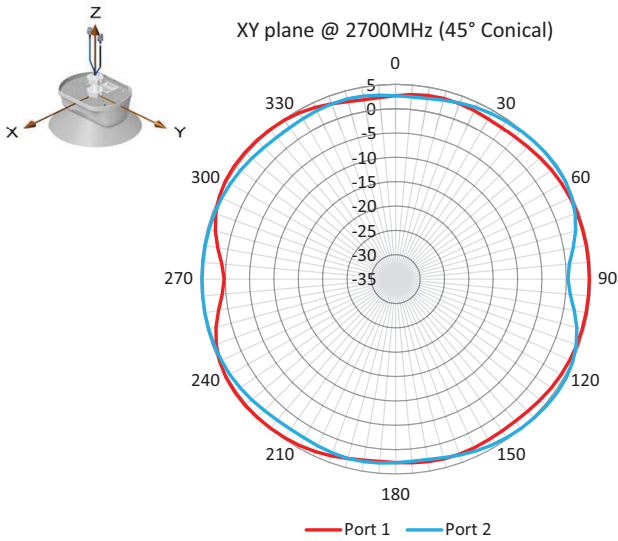
# PIMinator™ Series

## Low PIM In-building Omni MIMO Antenna with 500 mm Plenum rated Pigtail and Mini Din Connector

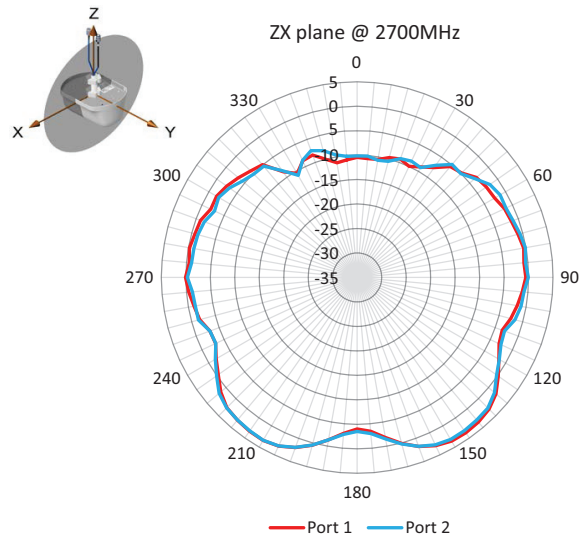
Pulse Part Number DAS500MDMIMO

### Radiation Patterns

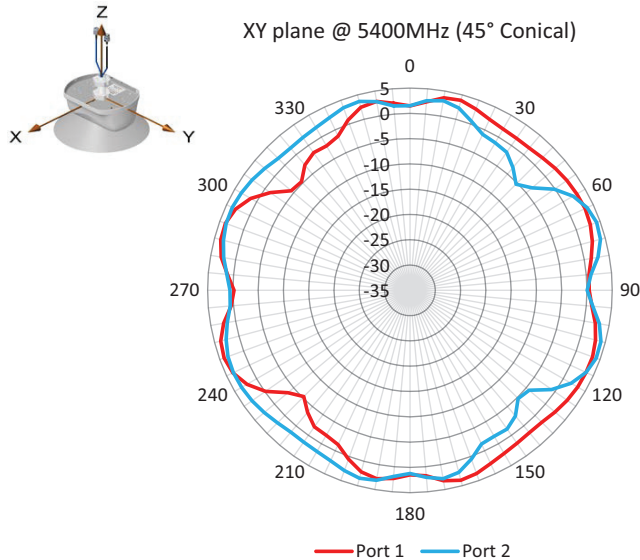
**2700 MHz - Horizontal Plane**



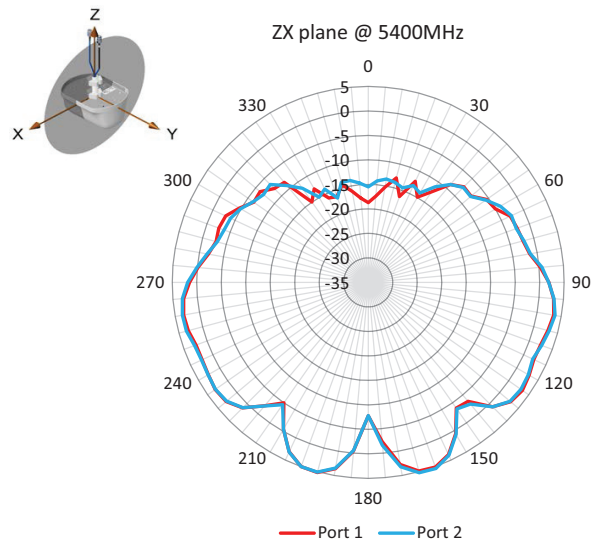
**2700 MHz - Vertical Plane**



**5400 MHz - Horizontal Plane**



**5400 MHz - Vertical Plane**



### For More Information

**Pulse Worldwide Headquarters**  
12220 World Trade Drive  
San Diego, CA 92128  
U.S.A.

**Larsen Brand Antennas**  
3611 NE 112th Avenue  
Vancouver, WA 98682  
USA

**Europe Headquarters**  
Pulse GmbH & Co, KG  
Zeppelinstrasse 15  
Herrenberg  
Germany

**Asia Headquarters**  
B402, Shenzhen Academy of  
Aerospace Technology Bldg.  
10th Kejian Road, High-Tech Zone  
Nanshan District, Shenzhen, PR China 518057

**Pulse North Asia**  
3F, No. 198, Zhongyuan Road  
Zhongli City, Taoyuan County 320  
Taiwan R. O. C.

**Pulse (Suzhou) Wireless Products Co., Inc.**  
99 Huo Ju Road, (#29 Bldg, 4th Phase)  
Suzhou New District  
Science & Tech Industrial Park  
Jiangsu Province, Suzhou 215009 PR China

Tel: 858 674 8100  
Fax: 858 674 8262

Tel: 360 944 7551  
Fax: 369 944 7556

Tel: 49 7032 7806 0  
Fax: 49 7032 7806 135

Tel: 86 755 33966678  
Fax: 86 755 33966700

Tel: 886 3 4356768  
Fax: 886 3 4356823

Tel: 86 512 6807 9998  
Fax: 86 512 6809 8023

Performance warranty of products offered on this data sheet is limited to the parameters specified. Data is subject to change without notice. Other brand and product names mentioned herein may be trademarks or registered trademarks of their respective owners.

© Copyright, 2015, Pulse Electronics, Inc. All rights reserved.