

Description: 1608 Diplexer

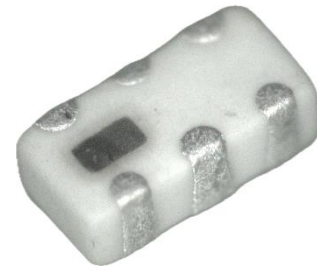
PART NUMBER: DPX1608LKEGR2455A

Features:

- Compact Size
- RoHS compliant

Applications:

- WiFi



Net weigh/pcs (g): 0.00363

ELECTRICAL SPECIFICATIONS

Low-Band

Item	Frequency Range(MHz)	Min.	Typ.	Max.
Insertion Loss (dB)	2400~2500	-	0.75	0.85
Insertion Loss(dB) at -40~85°C	2400~2500	-	-	0.95
Return Loss (dB)	2400~2500	10	17.7	-
Attenuation (dB)	30~1000	15	20.7	-
	4800~7125	30	32.6	-
	7200~7500	30	35.5	-
	7700~7950	15	38.7	-
	7500~12000	15	27.8	-

In the effort to improve our products, we reserve the right to make changes judged to be necessary.

CONFIDENTIAL AND PROPRIETARY INFORMATION

This document contains confidential and proprietary information of Pulse Electronics, Inc. (Pulse) and is protected by copyright, trade secret and other state and federal laws. Its receipt or possession does not convey any rights to reproduce, disclose its contents, or to manufacture, use or sell anything it may describe. Reproduction, disclosure or use without specific written authorization of Pulse is strictly forbidden.

For more information:

Pulse Worldwide Headquarters
15255 Innovation Drive #100
San Diego, CA 92128
USA
Tel:1-858-674-8100

Pulse/Larsen Antennas
18110 SE 34th St Bldg 2 Suite 250
Vancouver, WA 98683
USA
Tel: 1-360-944-7551

Europe Headquarters
Pulse GmbH & Do, KG
Zeppelinstrasse 15
Herrenberg, Germany
Tel: 49 7032 7806 0

Pulse (Suzhou) Wireless Products Co, Inc.
99 Huo Ju Road(#29 Bldg,4th Phase
Suzhou New District
Jiangsu Province, Suzhou 215009 PR China
Tel: 86 512 6807 9998



Description: 1608 Diplexer

PART NUMBER: DPX1608LKEGR2455A

ELECTRICAL SPECIFICATIONS

High-Band

Item	Frequency Range(MHz)	Min.	Typ.	Max.
Insertion Loss (dB)	5150~5875	-	0.81	1.20
Insertion Loss (dB) at -40~85°C	5150~5875	-	-	1.45
Return Loss (dB)	5150~5875	10	12.8	-
Attenuation (dB)	100~2300	15	36.3	-
	2400~2500	40	42.4	-
	2700~3500	15	16.9	-
	10300~11750	25	32.2	-
	15450~17625	15	32.4	-

Common

Item	Frequency Range(MHz)	Min.	Typ.	Max.
Return Loss (dB)	2400~2500	10	22.6	-
	5150~5875	10	13.4	-

Isolation

Item	Frequency Range(MHz)	Min.	Typ.	Max.
High to Low (dB)	2400~2500	40	43.0	-
	4800~5000	25	33.6	-

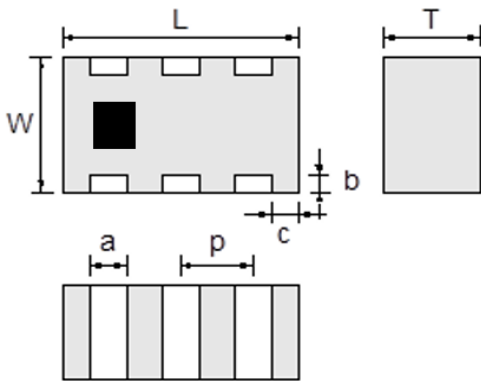
Operating Temperature Range : -40~85°C
 Power Capacity : 3W max.

Description: 1608 Diplexer

PART NUMBER: DPX1608LKEGR2455A

MECHANICAL DIMENSION

Outline

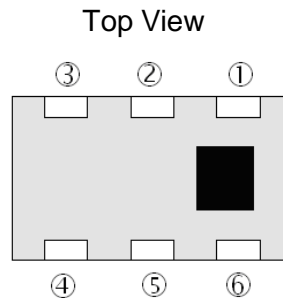


Dimension

L	W	T	a
1.60±0.15	0.80±0.10	0.70 max.	0.20±0.10
b	c	p	
0.15±0.10	0.20±0.15	0.50±0.05	

NOTE : Dimensions in mm.

Termination

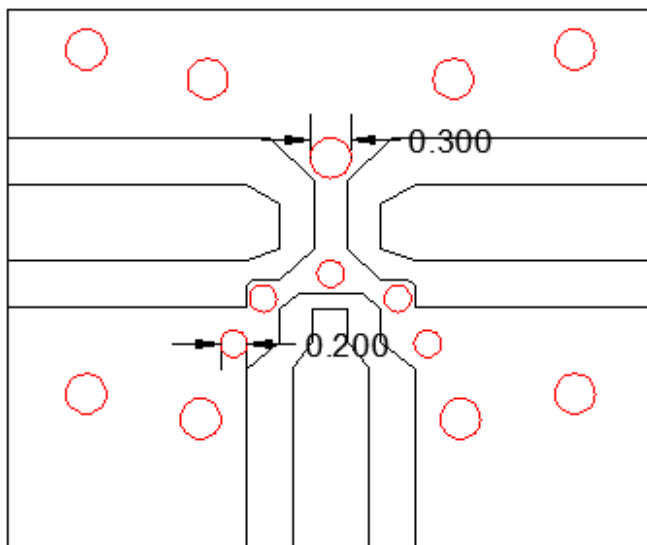


Terminal name

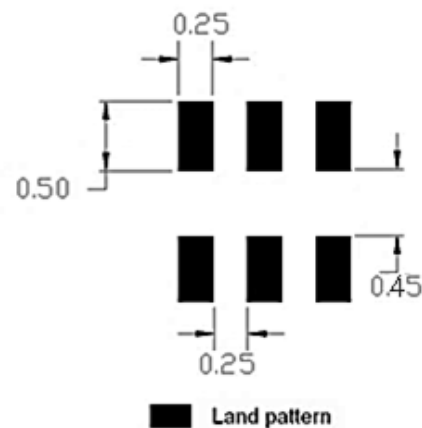
Function

1	High band
2	GND
3	Low band
4	GND
5	Common
6	GND

Reference design of EVB



Unit : mm



Line width should be designed to match 50Ω characteristic impedance, depending on PCB material and thickness.

In the effort to improve our products, we reserve the right to make changes judged to be necessary.

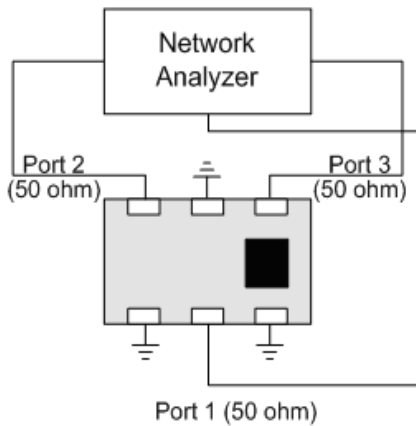
CONFIDENTIAL AND PROPRIETARY INFORMATION

This document contains confidential and proprietary information of Pulse Electronics, Inc. (Pulse) and is protected by copyright, trade secret and other state and federal laws. Its receipt or possession does not convey any rights to reproduce, disclose its contents, or to manufacture, use or sell anything it may describe. Reproduction, disclosure or use without specific written authorization of Pulse is strictly forbidden.

Description: 1608 Diplexer

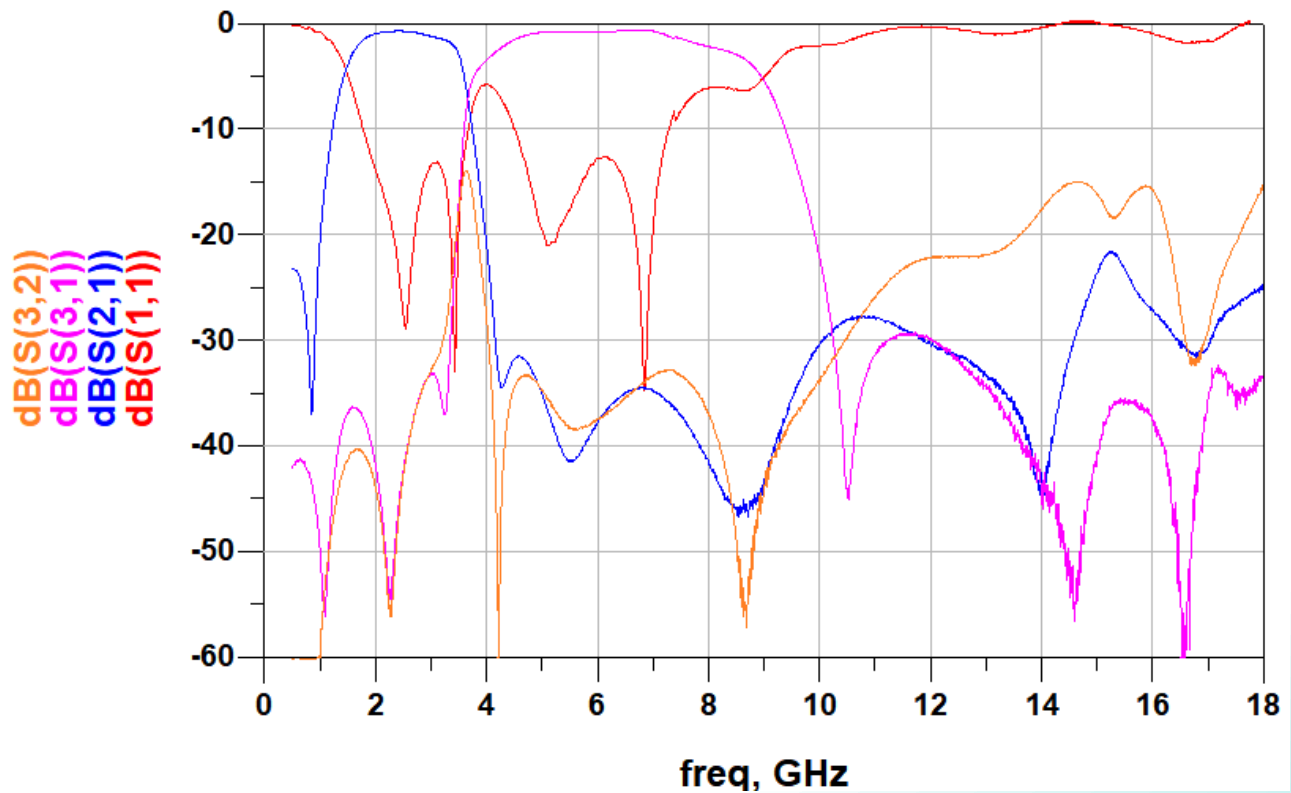
PART NUMBER: DPX1608LKEGR2455A

MEASURING DIAGRAM



Test Instrument :
Agilent E5071C Network Analyzer or equivalent.

ELECTRICAL PERFORMANCES



Description: 1608 Diplexer

PART NUMBER: DPX1608LKEGR2455A

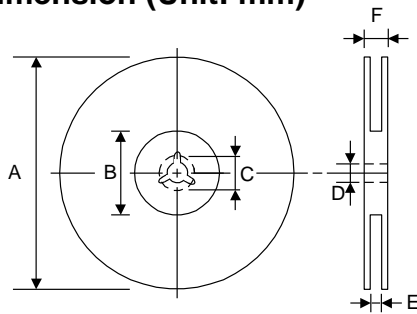
PACKING SPECIFICATION

Peel-off force



The force for peeling of cover tape is 10 grams in the arrow direction.

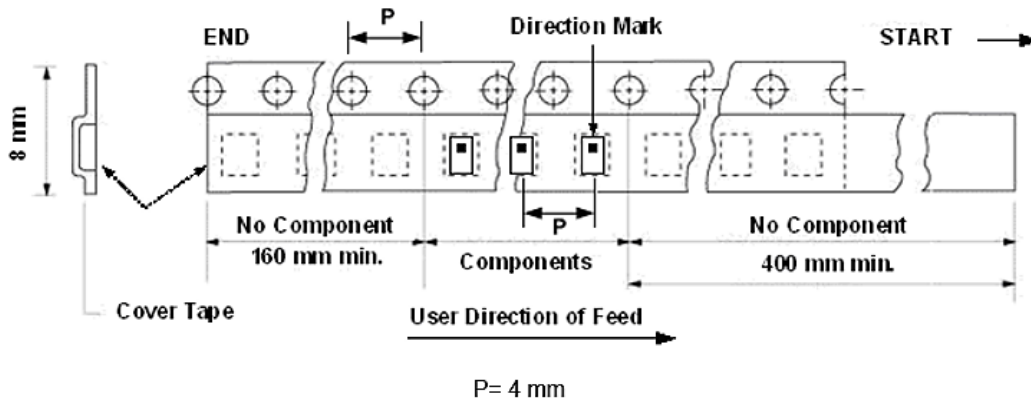
Dimension (Unit: mm)



TYPE	A	B	C	D	E	F
8 mm	178±1	60+0.5 -0	-	13±0.2	9±0.5	12±0.5
12 mm	178±0.3	60±0.2	19.3±0.1	13.5±0.1	13.6±0.1	-

Taping quantity

SERIES	5824 5724	5320 5220	4532	4516	3225	3216 2520	2012 1608	1005 0605
PCS/Reel	5000	3000	1000	2000	2500	3000	4000	10000



In the effort to improve our products, we reserve the right to make changes judged to be necessary.
CONFIDENTIAL AND PROPRIETARY INFORMATION

This document contains confidential and proprietary information of Pulse Electronics, Inc. (Pulse) and is protected by copyright, trade secret and other state and federal laws. Its receipt or possession does not convey any rights to reproduce, disclose its contents, or to manufacture, use or sell anything it may describe. Reproduction, disclosure or use without specific written authorization of Pulse is strictly forbidden.

Description: 1608 Diplexer**PART NUMBER: DPX1608LKEGR2455A****REVISION HISTORY**

Revision	Date	Description
Version 1	May. 16, 2023	- New issue