

Description: 1608 Diplexer

PART NUMBER: DPX1608LKVHR2460L

Features:

- Compact Size
- Low loss
- High Soldering Heat Resistance

Applications:

- wireless

ELECTRICAL SPECIFICATIONS

Low-Band

Item	Frequency Range (MHz)	Min.	Typ.	Max.
Insertion Loss (dB)	2400~2500	-	0.65	1
Return Loss (dB)	2400~2500	10	15.6	-
Attenuation (dB)	1164~1300	15	20.6	-
	1559~1601	13	21.9	-
	4800~7100	20	29.6	-
	7200~7500	20	29.0	-
	9600~10000	20	26.6	-

High-Band

Item	Frequency Range (MHz)	Min.	Typ.	Max.
Insertion Loss (dB)	5150~5300	-	1.28	1.5
	5925~6425	-	0.66	1.2
	6525~6875	-	0.54	1.2
	6875~7125	-	0.73	1.2
Return Loss (dB)	5150~7125	10	15.5	-
Attenuation (dB)	824~849	35	58.4	-
	1164~1600	30	41.2	-
	1601~2400	30	41.2	-
	2400~2500	35	47.7	-
	2501~3299	26	32.9	-
	3300~4200	28	32.9	-
	9800~14250	20	34.2	-
	14700~21375	10	20.5	-

In the effort to improve our products, we reserve the right to make changes judged to be necessary.

CONFIDENTIAL AND PROPRIETARY INFORMATION

This document contains confidential and proprietary information of Pulse Electronics, Inc. (Pulse) and is protected by copyright, trade secret and other state and federal laws. Its receipt or possession does not convey any rights to reproduce, disclose its contents, or to manufacture, use or sell anything it may describe. Reproduction, disclosure or use without specific written authorization of Pulse is strictly forbidden.

For more information:

Pulse Worldwide Headquarters
15255 Innovation Drive #100
San Diego, CA 92128
USA
Tel:1-858-674-8100

Pulse/Larsen Antennas
18110 SE 34th St Bldg 2 Suite 250
Vancouver, WA 98683
USA
Tel: 1-360-944-7551

Europe Headquarters
Pulse GmbH & Do, KG
Zeppelinstrasse 15
Herrenberg, Germany
Tel: 49 7032 7806 0

Pulse (Suzhou) Wireless Products Co, Inc.
99 Huo Ju Road(#29 Bldg,4th Phase
Suzhou New District
Jiangsu Province, Suzhou 215009 PR China
Tel: 86 512 6807 9998



Description: 1608 Diplexer

PART NUMBER: DPX1608LKVHR2460L

ELECTRICAL SPECIFICATIONS

Common

Item	Frequency Range (MHz)	Min.	Typ.	Max.
Return Loss (dB)	2400~2500	10	21.4	-
	5150~7125	10	15	-

Isolation

Item	Frequency Range (MHz)	Min.	Typ.	Max.
Low to High (dB)	2400~2500	40	46.8	-
	4800~7100	20	25.8	-

Operating Temperature Range : -40~85°C

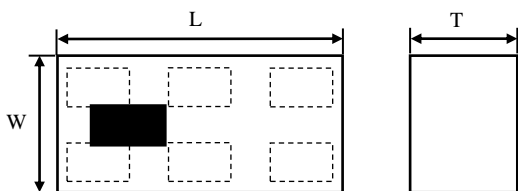
Power Capacity : 3W max.

Description: 1608 Diplexer

PART NUMBER: DPX1608LKVHR2460L

MECHANICAL DIMENSION

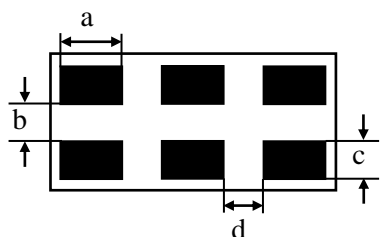
Outline



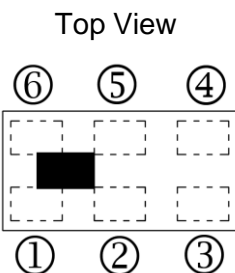
Dimension

L	W	T	a
1.60±0.10	0.80±0.10	0.70 max.	0.35±0.05
b	c	d	
0.22±0.05	0.225±0.05	0.22±0.05	

NOTE : Dimensions in mm.

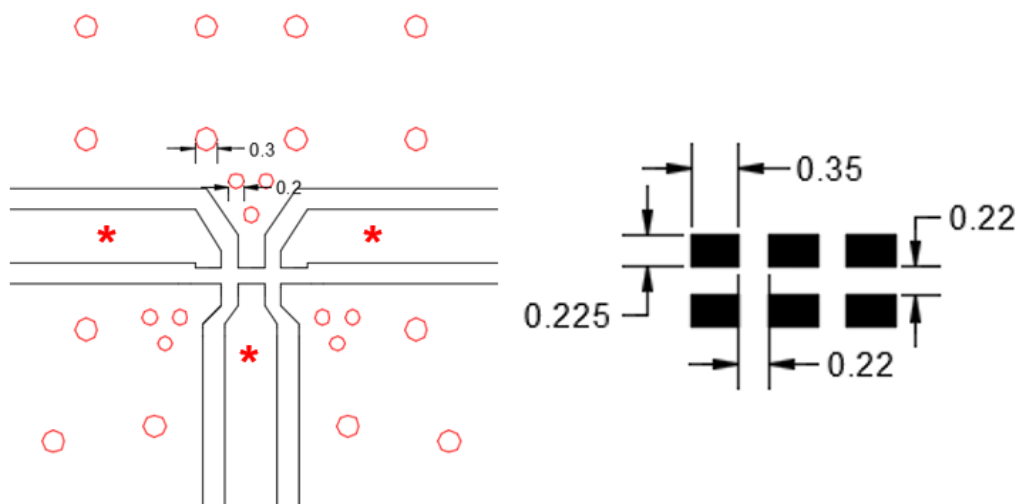


Termination



Terminal name	Function
1	High band
2	GND
3	Low band
4	GND
5	Common
6	GND

Reference design of EVB



Unit : mm

Line width should be designed to match 50Ω characteristic impedance, depending on PCB material and thickness.

In the effort to improve our products, we reserve the right to make changes judged to be necessary.

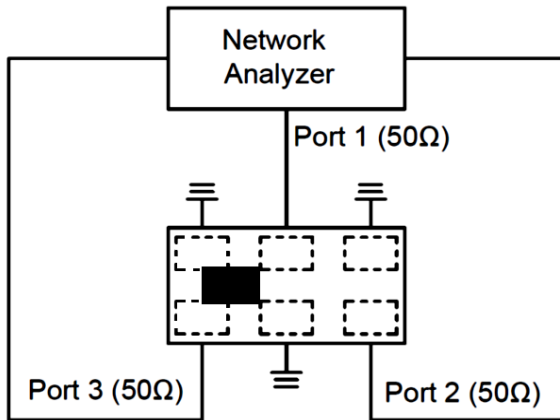
CONFIDENTIAL AND PROPRIETARY INFORMATION

This document contains confidential and proprietary information of Pulse Electronics, Inc. (Pulse) and is protected by copyright, trade secret and other state and federal laws. Its receipt or possession does not convey any rights to reproduce, disclose its contents, or to manufacture, use or sell anything it may describe. Reproduction, disclosure or use without specific written authorization of Pulse is strictly forbidden.

Description: 1608 Diplexer

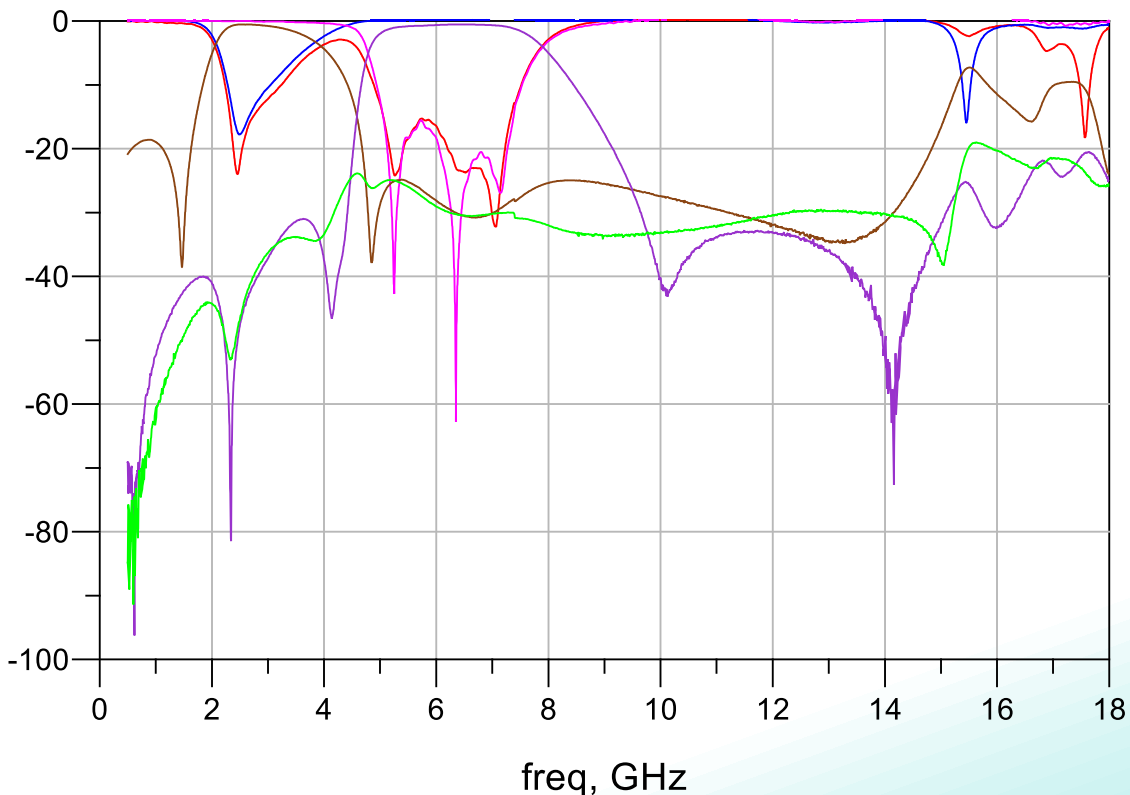
PART NUMBER: DPX1608LKVHR2460L

MEASURING DIAGRAM



Test Instrument :
Agilent E5071C Network Analyzer or equivalent.

ELECTRICAL PERFORMANCES



In the effort to improve our products, we reserve the right to make changes judged to be necessary.
CONFIDENTIAL AND PROPRIETARY INFORMATION

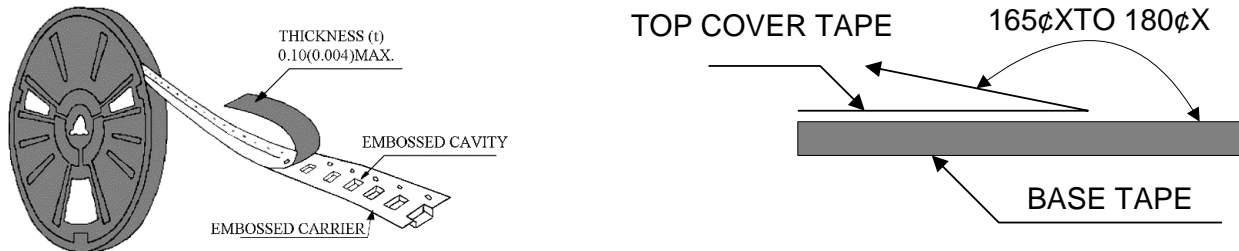
This document contains confidential and proprietary information of Pulse Electronics, Inc. (Pulse) and is protected by copyright, trade secret and other state and federal laws. Its receipt or possession does not convey any rights to reproduce, disclose its contents, or to manufacture, use or sell anything it may describe. Reproduction, disclosure or use without specific written authorization of Pulse is strictly forbidden.

Description: 1608 Diplexer

PART NUMBER: DPX1608LKVHR2460L

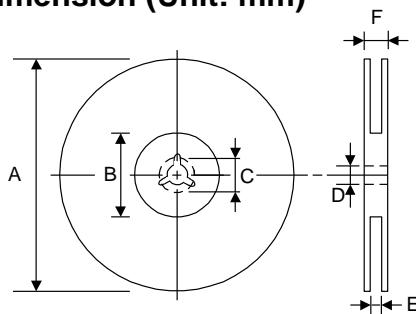
PACKING SPECIFICATION

Peel-off force



The force for peeling of cover tape is 10 grams in the arrow direction.

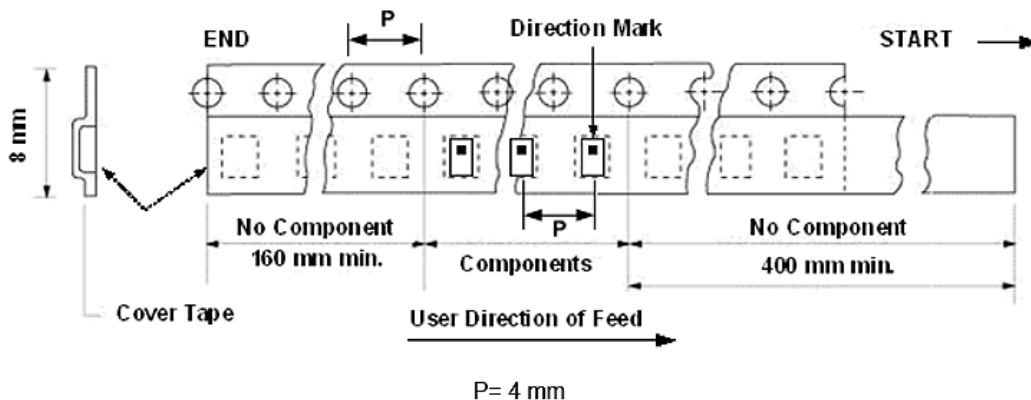
Dimension (Unit: mm)



TYPE	A	B	C	D	E	F
8 mm	178±1	60+0.5 -0	-	13±0.2	9±0.5	12±0.5
12 mm	178±0.3	60±0.2	19.3±0.1	13.5±0.1	13.6±0.1	-

Taping quantity

SERIES	5824 5724	5320 5220	4532	4516	3225	3216 2520	2012 1608	1005 0605
PCS/Reel	5000	3000	1000	2000	2500	3000	4000	10000



In the effort to improve our products, we reserve the right to make changes judged to be necessary.
CONFIDENTIAL AND PROPRIETARY INFORMATION

This document contains confidential and proprietary information of Pulse Electronics, Inc. (Pulse) and is protected by copyright, trade secret and other state and federal laws. Its receipt or possession does not convey any rights to reproduce, disclose its contents, or to manufacture, use or sell anything it may describe. Reproduction, disclosure or use without specific written authorization of Pulse is strictly forbidden.

Description: 1608 Diplexer**PART NUMBER: DPX1608LKVHR2460L****REVISION HISTORY**

Revision	Date	Description
Version 1	Jan. 06, 2023	- New issue