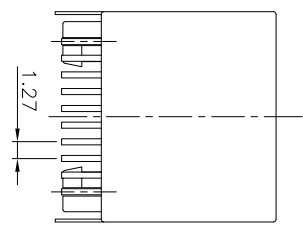
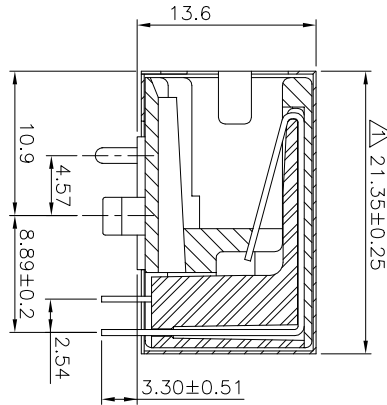
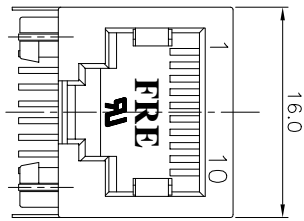


REVISION RECORD				
REV	ECO	DESCRIPTION	DRFT	CHKD
△		PCB Layout Modify	12/9/05	



NOTES:

ELECTRICAL:

- 1. VOLTAGE RATING : 125 VAC RMS.
- 2. CURRENT RATING : 1.5 AMP.
- 3. CONTACT RESISTANCE : 45 MILLIOHMS MAX.
- 4. INSULATION RESISTANCE: 1000 MEGOHMS MIN @ 500 VDC.
- 5. DIELECTRIC STRENGTH : 1000 VAC RMS 60HZ, 1MIN.

MECHANICAL:

- 1. HOUSING MATERIAL : PBT+30%GF UL94V-0.
- 2. CONTACT MATERIAL : PHOSPHOR BRONZE $\phi 0.46\text{mm}$.
- 3. PLATING : GOLD PLATING OVER NICKEL.
- 4. OPERATING LIFE : 750 CYCLES MIN.
- 5. PCB RETENTION PRE-SOLDER : 1 LB MIN.
- 6. PCB RETENTION POST-SOLDER: 10 LBS MIN.
- 7. SHIELD PLATING : NICKEL PLATING OVER BRASS.

ENVIRONMENTAL:

- 1. STORAGE : -40°C TO +85°C.
 - 2. OPERATION: -40°C TO +85°C.
 - 3. WAVE SOLDERING TEMPERATURE: 230~250°C (3~5 SECONDS).
- MATES WITH MODULAR PLUG CONFORMING TO FCC PART 68, SUBPART F.
CUL FILE NO. E163191

PART NUMBER: E590X-1X012X-L

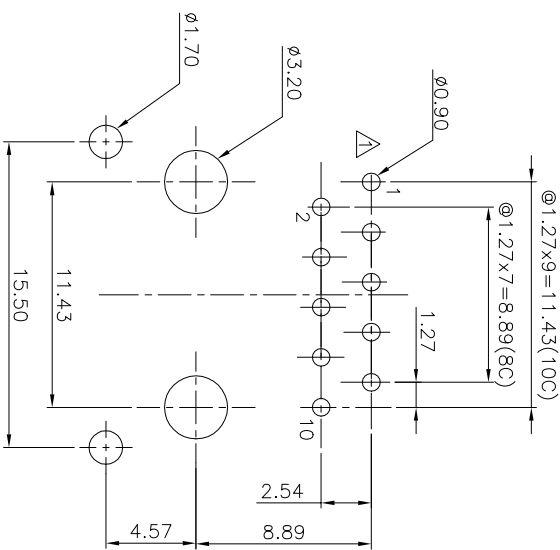
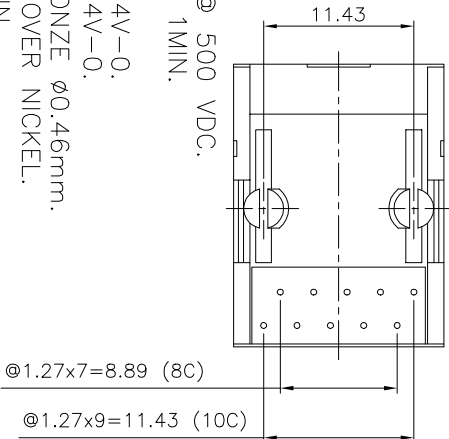
NO. OF CONTACT:

- 8-8C
- 1-10C

SHIELD:

- 3-TIN
- 5-NICKEL
- C-GOLD FLASH
- D-TINNED GROUNDING TAB

- 1-3u"
- 3-15u"
- 5-50u"
- 7-Pd350u"
- 2-6u"
- 4-30u"
- 6-Pd20u"
- 8-Pd10u"



PC Board Layout T=1.60mm
Component Side Shown

DETACHED LISTS			
	MM	(INCH)	
TOLERANCES EXCEPT AS NOTED			
MM	0.00	±0.2	±
APPL	0.00	±0.15	±
APPL	0.00	±0.075	±
ANGLES	± 0.5		

DTG	OSJ	DATE	03/29/05
CHKD	Ymlr	DATE	12/09/05
MFO		DATE	
MATERIAL :			
QTY :			
FINISH :			
SCALE :	2.5 : 1		

TITLE		FULL RISE ELECTRONIC CO., LTD	
DRAWING NO.:		GE593A99-1C	
/PART NO. SEE NOTE		SIZE	REV
DO NOT SCALE DRAWING		A3	1
		SHEET	OF 1
		1	1