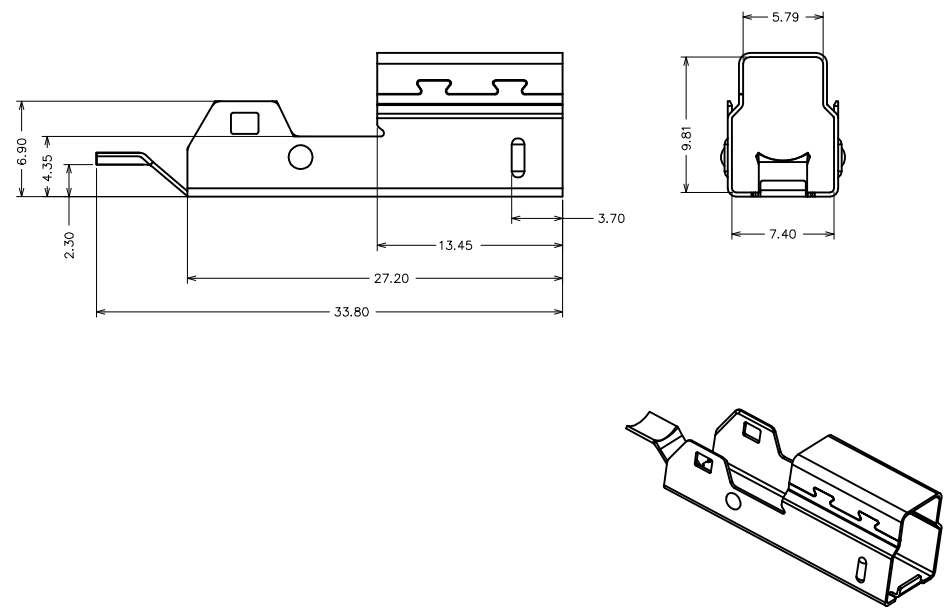
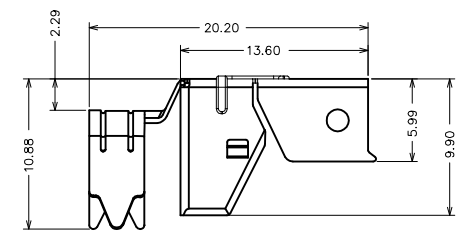
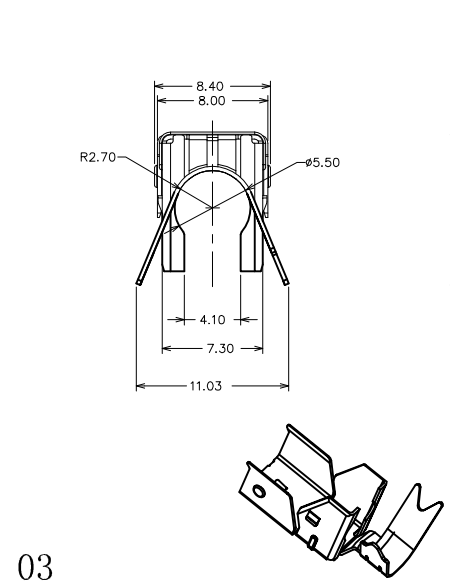
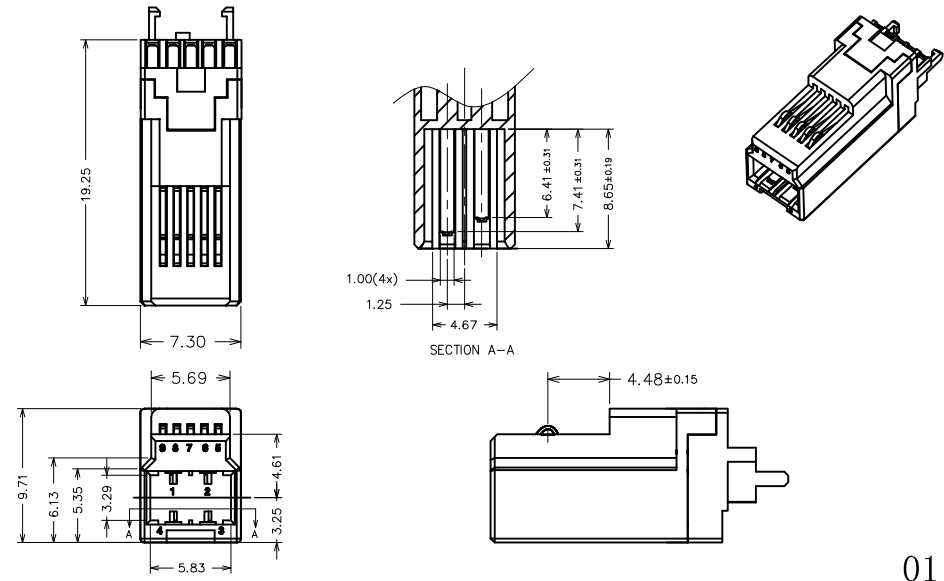
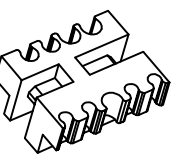


REVISION RECORD		
REV	DESCRIPTION	DRFT



NOTES:
MATERIAL:
1.HOUSING&COVER&WIRE SLOT:NYLON 6T (UL 94V-0), BLUE
2.FRONT SHIELD:SPCC ;REAR SHIELD:SPCC
50u" Min NICKEL PLATING OVER ALL .
4PIN CONTACT:BRASS;
5PIN CONTACT:PHOSPHOR BRONZE ;
30u" MIN GOLD PLATING ON CONTACT AREA,
80u" MIN TIN PLATING ON SOLDERTAILS AREA,
50u" MIN NICKEL UNDERPLATING OVER ALL.

CHARACTERISTICS:
1.CONTACT RESISTANCE:30mΩMAX.
2.INSULATION RESISTANCE:100MΩMin.
3.DIELECTRICAL WITHSTANDING VOLTAGE:100 vac .
4.MATING FORCE:3.57Kgf MAX(35N MAX)
5.UNMATING FORCE:1.02Kgf Min(10N Min)
6.DURABILITY:5000 CYCLES
7.HIGH FREQUENCY RESISTANCE (DIFFERENTIAL)
75ΩMINIMUM 105ΩMAXIMUM
8.OPERATION TEMPERATURE:-20℃ to +80℃



 THIRD ANGLE PROJECTION		DFTO Roy CHKD APPVL MATERIAL : QTY : FINISH : SCALE : 1:1	DATE 11/20/2012 DATE DATE 	 RoHS Compliant	TITLE USB 3.0 B TYPE PLUG	DRAWING NO. E8199-070-01 /PART NO. E8199-070-01	SIZE A3	REV 01	
DO NOT SCALE DRAWING				SHEET 1 OF 1					