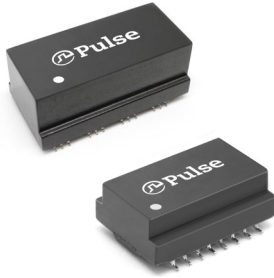


Ethernet modules for Medical Safety

HX1332NL, HX1332CNL, and HXU6200NL



- Ⓢ Designed to exceed IEEE standards for fast Ethernet and 1Gigabit over industrial temperature range -40 to +85°C
- Ⓢ Supports 30W PoE upto 100m 2/4pair connectivity
- Ⓢ Reinforced Medical Safety isolation - 2MOPP/MOOP
- Ⓢ Designed to comply with UL60601-1 and IEC62368-1
- Ⓢ Compatible with all Major PHYs

Electrical Specifications @ 25°C - Operating Temperature -40°C to +85°C

Part Number	Data Rate	Inductance	Reinforced* Insulation Class	Working Voltage (Vrms)	Creepage and Clearance (min)	Isolation (Pri:Sec)	Power over Ethernet (PoE)	
							DC Current (@ 25°C)	Power Supported (2/4 pair UTP)
HX1332NL	100Base-Tx	200uH min	2MOOP / 1MOPP	400V	8.0 / 6.4mm	4000Vrms / 60sec	720mA	30W (PD/PSE)
HX1332CNL	100Base-Tx	350uH @ 8mA	2MOOP / 1MOPP	400V	8.0 / 6.4mm	4000Vrms / 60sec	350mA	15W (PD/PSE)
HXU6200NL	1000Base-T	350uH @ 8mA	2MOOP, 1MOPP	250V	4.6 / 4.6mm	3000Vrms / 60sec	720mA	35W (PD/PSE)

Notes:

1. Pollution Degree 2, Material Group IIIb
2. PoE connection over 2 pair*(4 wires) or 4 pair* (8 wires) of unshielded twisted pair (UTP) or Shielded Twisted Pair (STP) cabling

Part Number	Insertion Loss (MAX)			Return Loss (MAX)			DCMR (MIN)		
	0.1 -30MHz	60-80MHz	100MHz	1-30MHz	40MHz	60 / 100MHz	1MHz	30-60MHz	100MHz
HX1332NL	-1.0dB	-4.0dB	-	-10dB	-8dB	-	-50dB	-36dB	-31.5dB
HX1332CNL	-1.0dB	-3.0dB	-4.0dB	-9dB	-7dB	-4.5 / -2dB	-50dB	-35dB	-30dB
HXU6200NL	-0.6dB	-1.6dB	-2.5dB	-11dB	-8dB	-7 / -3dB	-36dB	-32dB	-30dB

Notes:

1. Storage Temperature: -50°C to 125°C Compliance to J-STD:
 - A. J-STD-002: Solderability at 245°C Reflow Profile
 - B. J-STD-020: Moisture Sensitive Level 1
 - C. J-STD-075: R7, 245°C Maximum Through Reflow Solder
2. The NL suffix part is supplied in tubes. To order tape and reel packaging add a 'T' suffix to the part number (ie: HX1332NL becomes HX1332NT).
3. Header: DAP (Diallyl Phthalate) with flammability Rating UL 94V-0 or better
4. Lead Frame: Cooper Alloy
 - Under plated: Half Hard Ductile Nickel 50-100" (1.3-2.5um)
 - Over plated: 100% Tin electro-deposited per ASTM B545 300 - 50u" (8-13um)
5. Finish : Matte finish 100% Tin solder
6. HXU6200NL is Certified UL60601-1 File # E133523

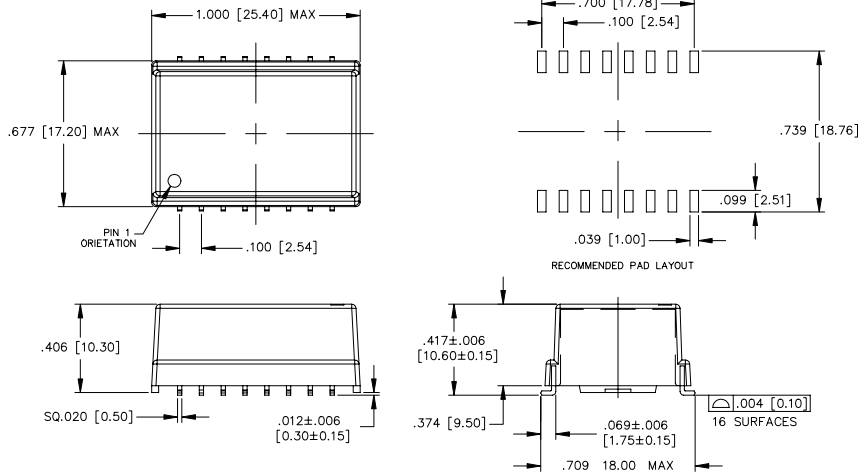
Ethernet modules for Medical Safety

HX1332NL, HX1332CNL, and HXU6200NL



Mechanical

HX1332NL, HX1332CNL

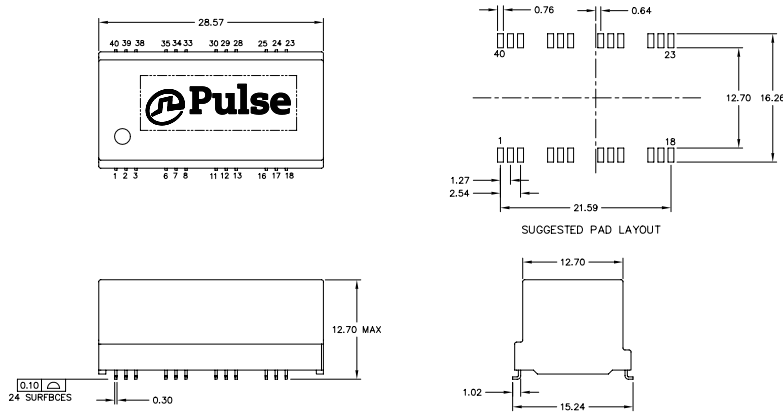


Dimensions: $\frac{\text{Inches}}{\text{mm}}$

Unless otherwise specified,
all tolerances are $\pm \frac{.010}{0,25}$

Mechanical

HXU6200NL

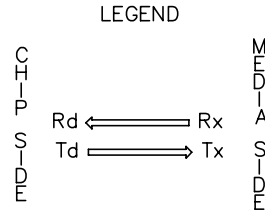
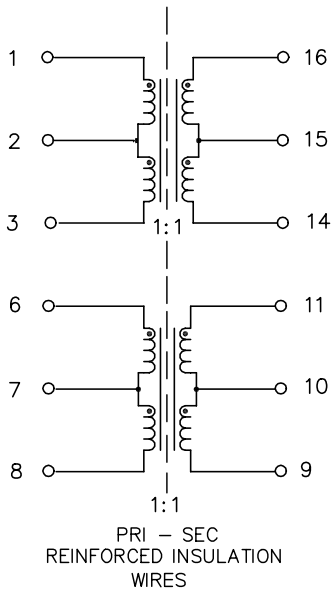


Dimensions: $\frac{\text{Inches}}{\text{mm}}$

Unless otherwise specified,
all tolerances are $\pm \frac{.010}{0,25}$

Schematics

HX1332NL

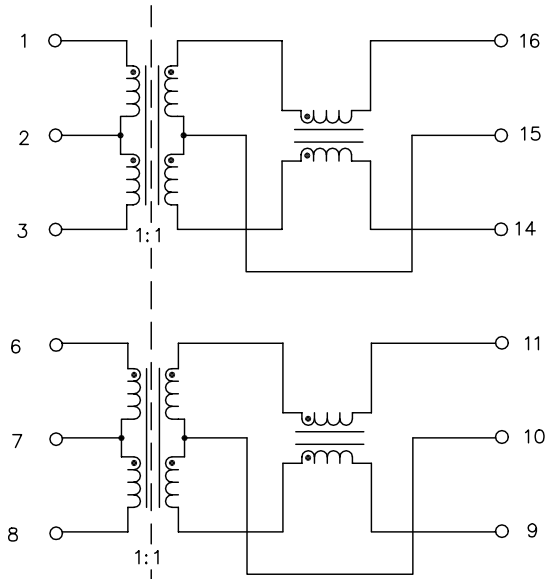


ALL CHANNELS ARE IN-PHASE BETWEEN INPUT AND OUTPUT

1:1
PRI - SEC
REINFORCED INSULATION
WIRES

WINDING WIRE APPROVED TO IEC63268-1, ANNEX U

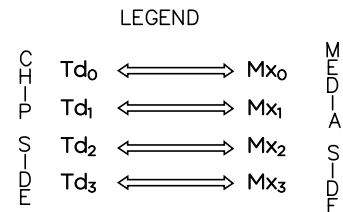
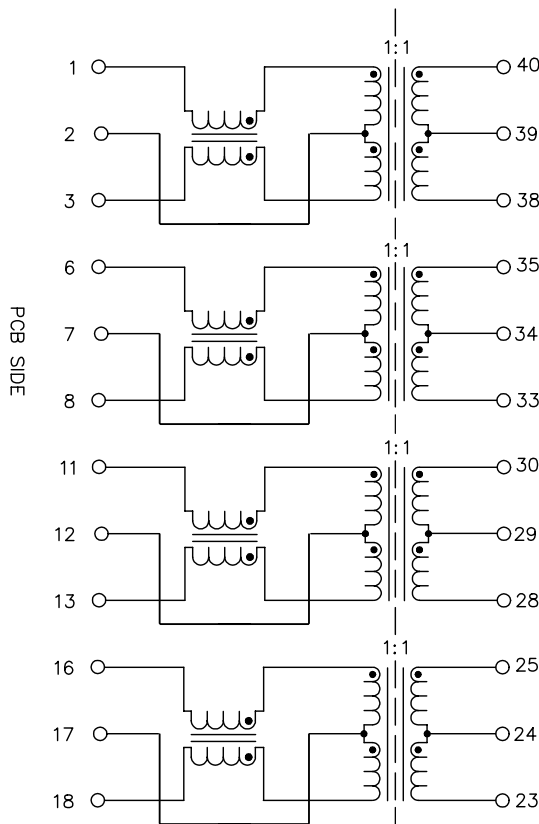
HX1332CNL



1:1
PRI-REINFORCED
INSULATION
WIRES

SEC-BASIC
INSULATION
WIRES

HXU6200NL



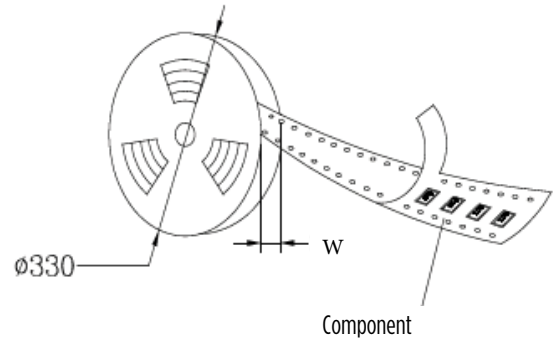
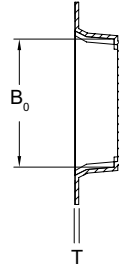
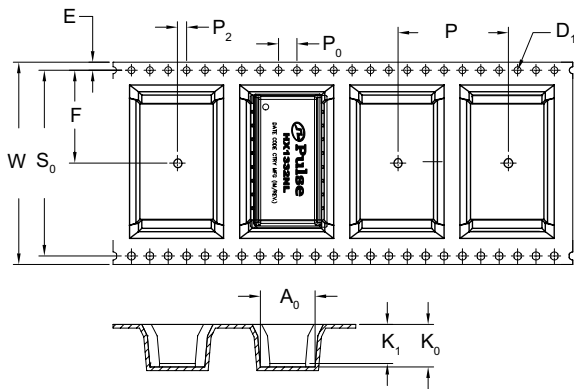
ALL CHANNELS ARE IN-PHASE BETWEEN INPUT AND OUTPUT

Ethernet modules for Medical Safety

HX1332NL, HX1332CNL, and HXU6200NL

Tape & Reel

HX1332NL, HX1332CNL

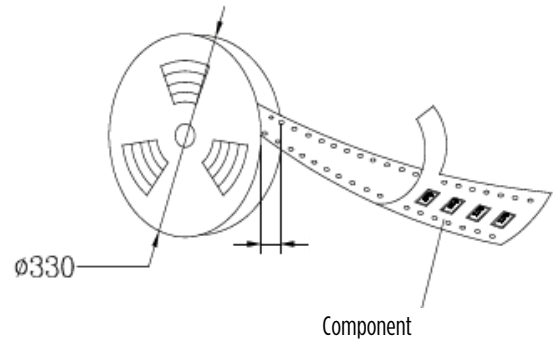
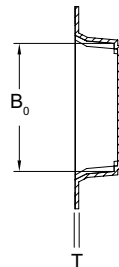
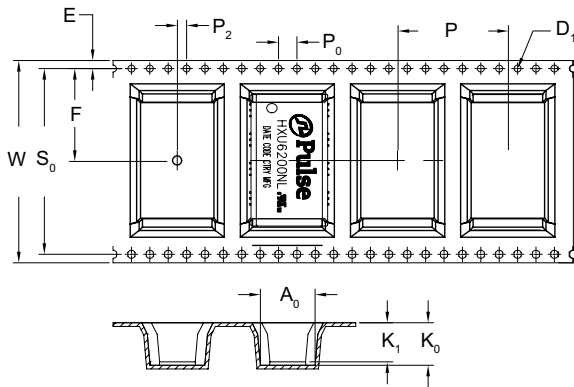


W	44.00±0.30	P	24.00±0.10	A ₀	17.45±0.10	B ₀	24.8±0.10
S ₀	40.40±0.10	P ₀	4.00±0.10	A ₁	-----	B ₁	-----
E	1.75±0.10	P ₂	2.00±0.15	A ₂	-----	B ₂	-----
F	20.20±0.15	D ₀	-----	K ₀	11.55±0.10	K ₁	11.00±0.10
T	0.50±0.05	D ₁	1.50 ^{+0.10} _{-0.00}				UNIT: mm

ALL Dimensions meet EIA-481-D requirements.

1. **Material:** Black Conductive Polystyrene
2. **Components per Reel:** 200 pcs
3. **Quantity per box:** 5x reels = 1000 pcs

HXU6200NL



W	44.00±0.30	P	24.00±0.10	A ₀	15.13±0.10	B ₀	28.85±0.10
S ₀	40.40±0.10	P ₀	4.00±0.10	A ₁	-----	B ₁	-----
E	1.75±0.10	P ₂	2.00±0.15	A ₂	-----	B ₂	-----
F	20.20±0.15	D ₀	-----	K ₀	14.31±0.10	K ₁	13.310±0.10
T	0.50±0.05	D ₁	1.50 ^{+0.10} _{-0.00}				UNIT: mm

ALL Dimensions meet EIA-481-D requirements.

1. **Material:** Black Conductive Polystyrene
2. **Components per Reel:** 150 pcs
3. **Quantity per box:** 5x reels = 750 pcs

For More Information:

Americas - prodinfo_network_americas@yageo.com | Europe - prodinfo_network_emea@yageo.com | Asia - prodinfo_network_asia@yageo.com

Performance warranty of products offered on this data sheet is limited to the parameters specified. Data is subject to change without notice. Other brand and product names mentioned herein may be trademarks or registered trademarks of their respective owners. © Copyright, 2023. Pulse Electronics, Inc. All rights reserved.

YAGEO Corporation and its affiliates do not recommend the use of commercial or automotive grade products for high reliability applications or manned space flight.