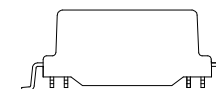
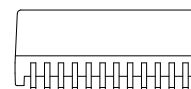
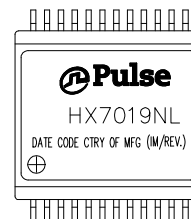


NOTES:

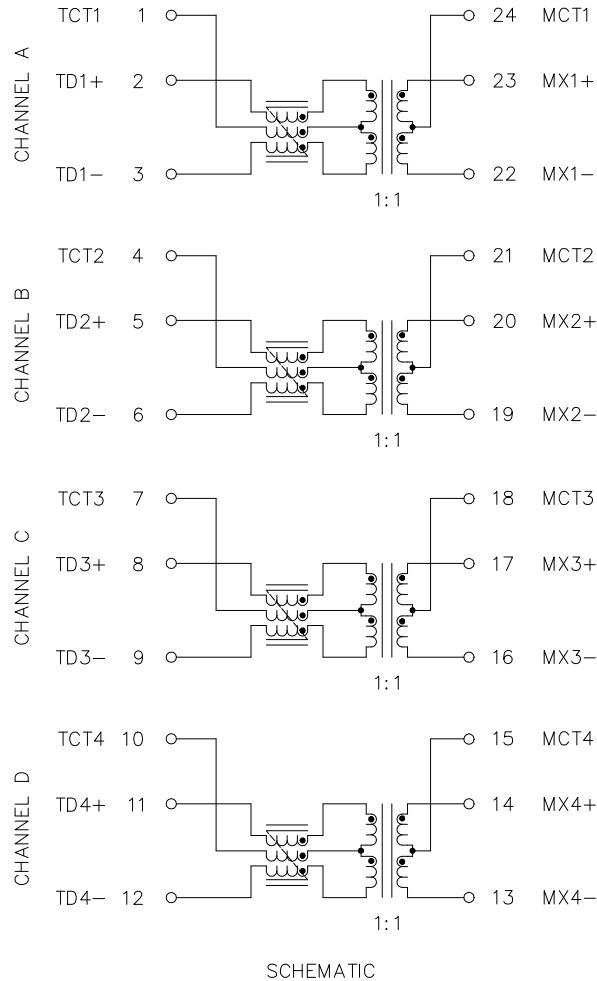
1. ROHS COMPLIANT
2. HEADER: PHENOLIC WITH FLAMMABILITY RATING UL 94V-0 OR BETTER.
3. STORAGE TEMPERATURE: -50°C TO +125°C
4. COMPLIANCE TO J-STD:
  - A. J-STD-002: SOLDERABILITY AT 245°C REFLOW PROFILE
  - B. J-STD-020: MOISTURE SENSITIVE LEVEL 1
  - C. J-STD-075: R6, 250°C MAXIMUM THROUGH REFLOW SOLDER
5. TO ORDER TAPE & REEL PACKAGING ADD A "T" SUFFIX TO THE PART NUMBER(i.e HX7019NL BECOMES HX7019NLT).



FINAL OUTLINE

© Copyright, 2019. Pulse Electronics Corp. All rights reserved. Pulse confidential & proprietary. (04/16/19)

PRODUCT DESCRIPTION	TLA DRAWING	PS DRAWING	SHEET	PART NO.	DATASHEET REV.
MDL,SIN,10GD,1:1,GEN2,SM,TU	HX7019NL-X1	PS-2517.XXX	1 OF 5	HX7019NL	H



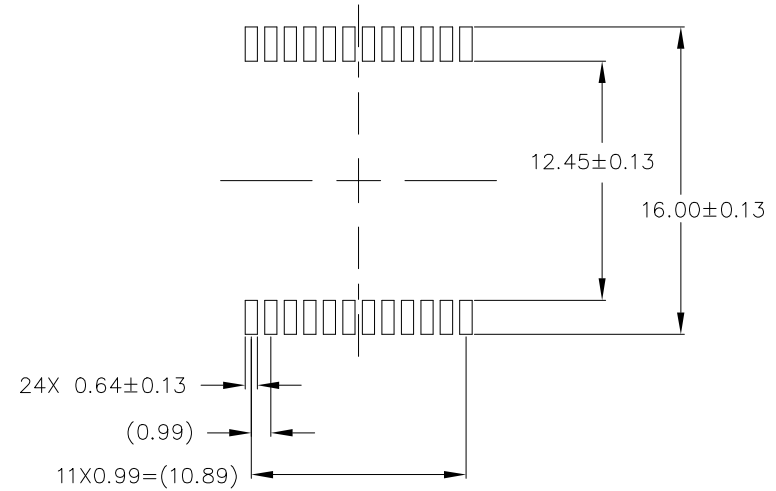
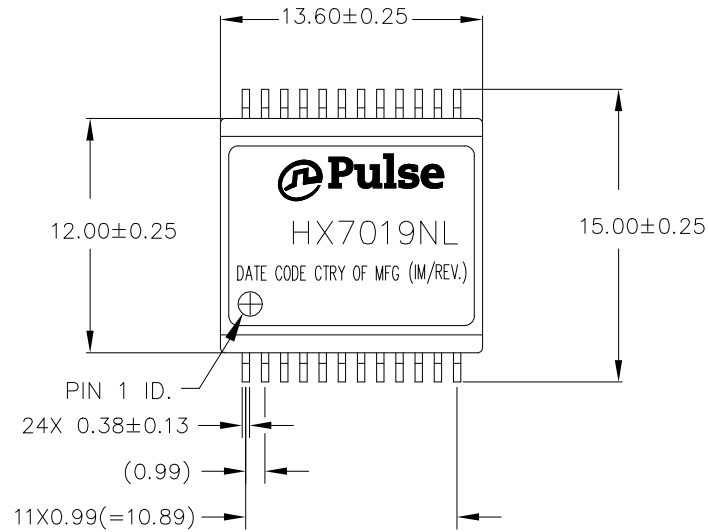
ELECTRICAL CHARACTERISTICS AT +25°C UNLESS OTHER SPECIFIED  
MEETS IEEE 802.3 SPECIFICATION

PARAMETER	SPECIFICATIONS		
OPERATING TEMPERATURE	-40°C ~ +85°C		
TURNS RATIO	1.00 ± 2%		
POLARITY	PER SCHEMATIC		
INSERTION LOSS	100 KHz	1-400 MHz	400-500 MHz
	-3.0 dB MAX	-2.0 dB	-3.0 dB
RETURN LOSS (Z OUT = 100 OHM ± 1%)	1MHz-40MHz		40 MHz-500MHz
	-18dB MIN		-18 + 10*LOG (f/40)
INDUCTANCE (OCL) (-40°C ~ +85°C)	120 uH MIN @ 100 kHz, 100 mV AND WITH 8 mA DC BIAS		
CROSSTALK, ADJACENT CHANNELS	1-100 MHz	200-400 MHz	400-500 MHz
	-40 dB MIN	-25 dB MIN	-20 dB MIN
COMMON MODE REJECTION RATIO	1-100 MHz	100-300 MHz	300-500 MHz
	-35 dB MIN	-30 dB MIN	-25 dB MIN
DIFFERENTIAL TO COMMON MODE REJECTION (DCMR)	1-250 MHz		250-500 MHz
	-30 dB MIN		-22 dB MIN
DC RESISTANCE PHY	2.0 OHM MAX		
DC RESISTANCE CABIE	2.0 OHM MAX		
CW/W	28pF MAX @ 100KHz 100mV		
INPUT - OUTPUT ISOLATION	1500 VAC, 1mA 60 S		

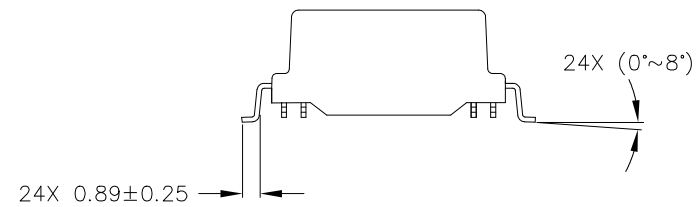
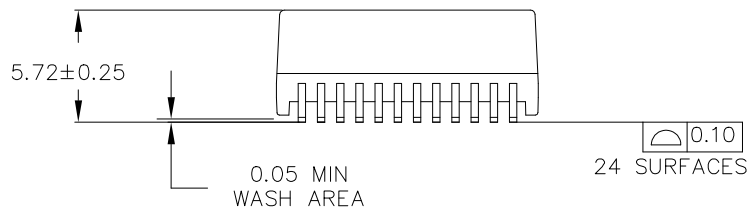
NOTE: f IS FREQUENCY IN MHz.

© Copyright, 2019. Pulse Electronics Corp. All rights reserved. Pulse confidential & proprietary. (04/16/19)

PRODUCT DESCRIPTION	TLA DRAWING	PS DRAWING	SHEET	PART NO.	DATASHEET REV.
MDL,SIN,10GD,1:1,GEN2,SM,TU	HX7019NL-X1	PS-2517.XXX	2 OF 5	HX7019NL	H



SUGGESTED LAND PATTERN



DIMENSIONS ARE IN MM, TOLERANCES:

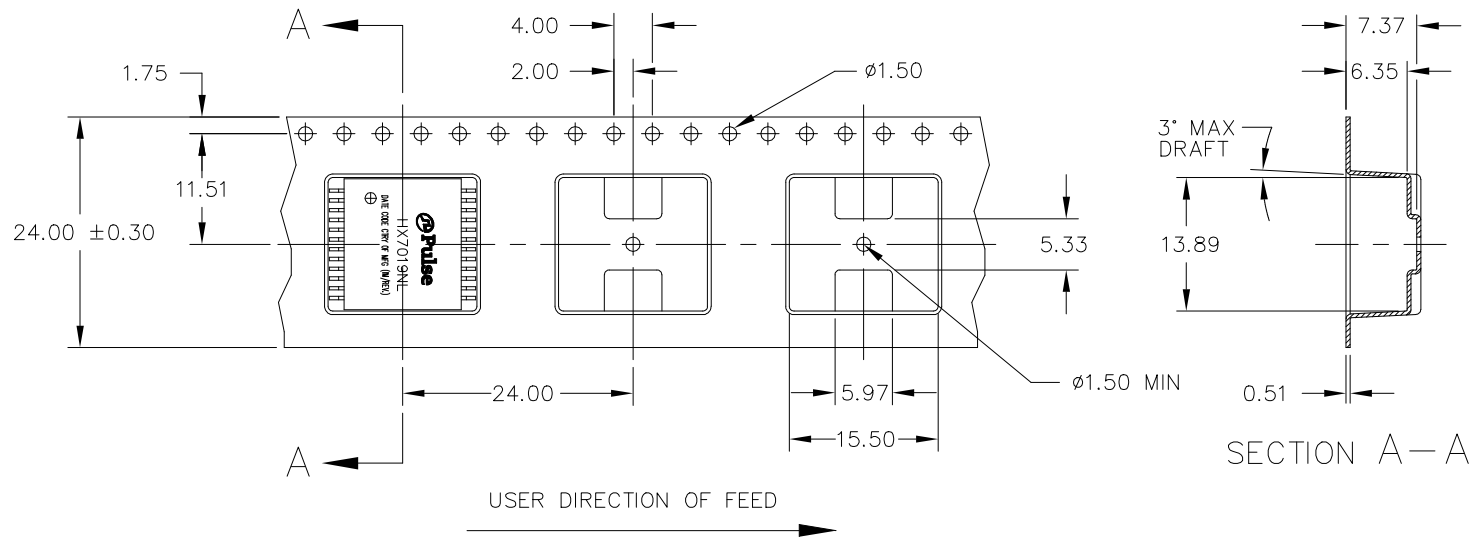
X.XX =  $\pm 0.25$

X.XXX =  $\pm 0.127$

© Copyright, 2019. Pulse Electronics Corp. All rights reserved. Pulse confidential & proprietary. (04/16/19)

PRODUCT DESCRIPTION	TLA DRAWING	PS DRAWING	SHEET	PART NO.	DATASHEET REV.
MDL,SIN,10GD,1:1,GEN2,SM,TU	HX7019NL-X1	PS-2517.XXX	3 OF 5	HX7019NL	H

NOTE: PACK 300 PIECES PER REEL



DIMENSIONS ARE IN MM, TOLERANCES:

X.XX =  $\pm 0.25$

X.XXX =  $\pm 0.127$

© Copyright, 2019. Pulse Electronics Corp. All rights reserved. Pulse confidential & proprietary. (04/16/19)

PRODUCT DESCRIPTION	TLA DRAWING	PS DRAWING	SHEET	PART NO.	DATASHEET REV.
MDL,SIN,10GD,1:1,GEN2,SM,TU	HX7019NL-X1	PS-2517.XXX	4 OF 5	HX7019NL	H



CHANGE RECORD

REV	DESCRIPTION	DATE	APPROVED
A	PRELIMINARY RELEASE	21NOV18	ARTSONG
B	CHANGE INCH UNIT TO MM UNIT	27NOV18	ARTSONG
C	UPDATE DIMENSION PER CUSTOMER REQUIREMENT	28NOV18	CALIAO
D	UPDATE INPUT – OUTPUT ISOLATION AND PULSE NEW LOGO	15FEB19	YWONG
E	DC RESISTANCE PHY/CABIE AND CW/W	25FEB19	ARTSONG
F	CHANGE DCMR PARAMETER	22MAR19	ARTSONG
G	CHANGE J–STD–075 TO R6, 250°C MAXIMUM THROUGH REFLOW SOLDER	12APR19	JETANG
H	CHANGE TO OCL MEASURED AT 100KHz,100 mVRMS AND with 8 mA DC BIAS	15APR19	ARTSONG

© Copyright, 2019. Pulse Electronics Corp. All rights reserved. Pulse confidential & proprietary. (04/16/19)

PRODUCT DESCRIPTION	TLA DRAWING	PS DRAWING	SHEET	PART NO.	DATASHEET REV.
MDL,SIN,10GD,1:1,GEN2,SM,TU	HX7019NL–X1	PS–2517.XXX	5 OF 5	HX7019NL	H