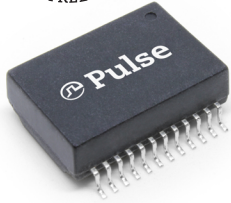


Single Port 5GBase-T Magnetic Modules

HB5G005HLT, HB5G006HLT, HB5G007HLT, HXB5G008HLT, HB5G009HLT, HXB5G010HLT, HXB5G011HLT, HXB5G012HLT, HXB5G013HLT and HXB5G014HLT



- Ⓢ Fully RoHS and Halogen Free
- Ⓢ One footprint, Standard and High Isolation options
- Ⓢ Supports 4 pair Power over Ethernet (PoE) up to 90W
- Ⓢ Meet or exceed IEEE802.3bz/at/bt
- Ⓢ Compatible with 2.5 and 5Gigabit PHYs
- Ⓢ Commercial and Industrial Temperature
- Ⓢ Reliable SMD packages support 245°C pk reflow
- Ⓢ All components supplied in Tape and Reel

Electrical Specification @ 25°C

Part Number*	Media side Inductance (@100KHz/0.1Ve) uH min	Insertion Loss (dB max)		Return Loss (dB min)		PoE (Current Per Pair mA)	Operating Temperature (°C)	Isolation (Pri:Sec)	Note
		1-100 MHz	100-250 MHz	1-40MHz	40< f ≤ 250 MHz				
HXB5G010HLT	180	-1.0	-2.0	-16	-(16-10 log10(f /40))	600	-40° to 85°	1500Vrms	60W PoE+
HXB5G011HLT	180	-1.0	-2.0	-16	-(16-10 log10(f /40))	600	-40° to 85°	1500Vrms	60W PoE+
HXB5G012HLT	180	-1.0	-2.0	-16	-(16-10 log10(f /40))	600	-40° to 85°	4000Vrms	60W / Surge CM 6KV
HXB5G013HLT	180	-1.0	-2.0	-16	-(16-10 log10(f /40))	1000	-40° to 85°	1500Vrms	90W PoE+
HXB5G014HLT	180	-1.0	-2.0	-16	-(16-10 log10(f /40))	1000	-40° to 85°	1500Vrms	90W / Surge DM 7KV
HB5G005HLT	180	-1.0	-2.0	-16	-(16-10 log10(f /40))	-	0° to 70°	1500Vrms	-
HB5G006HLT	180	-1.0	-2.0	-16	-(16-10 log10(f /40))	-	0° to 70°	1500Vrms	-
HB5G007HLT	180	-1.0	-2.0	-16	-(16-10 log10(f /40))	-	0° to 70°	4000Vrms	Surge DM 4.3KV
HXB5G008HLT	180	-1.0	-2.0	-16	-(16-10 log10(f /40))	-	-40° to 85°	1500Vrms	-
HB5G009HLT	180	-1.0	-2.0	-16	-(16-10 log10(f /40))	-	0° to 70°	4000Vrms	Surge CM/ DM 6KV

Note: *Specifications listed above refer to the base component part number that is printed on the product - ie HXB5G011HLT will be HXB5G011HL

Process and Materials

Notes:

1. Storage Temperature:
 - HBxxxxHL = -20 to +125°C
 - HXBxxxxHL = -50 to +125°C
2. Compliance to JEDEC-J-STD 020:
 - i. Moisture Sensitive Level 1
 - ii. Maximum peak Reflow Solder temperature 245°C
3. All parts come in 13" (330mm) Diameter Tape and reel - see page 3 for details
4. Header: Black Thermoset Plastic - Material flammability rating UL 94V-0
5. Lead Frame: Cooper Alloy
6. Underplate / Overplate: Tin electro-deposited over Nickel
7. Finish: Matte finish Tin solder

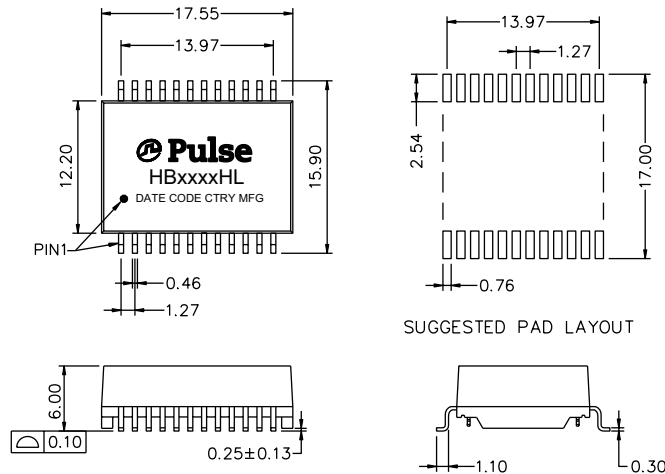
Single Port 5GBase-T Magnetic Modules

HB5G005HLT, HB5G006HLT, HB5G007HLT, HXB5G008HLT, HB5G009HLT, HXB5G010HLT, HXB5G011HLT, HXB5G012HLT, HXB5G013HLT and HXB5G014HLT



Mechanicals

HB5G00xHLT, HXB5G00xHLT, HXB5G01xHLT



Dimensions: mm

Unless otherwise specified the following tolerances apply:

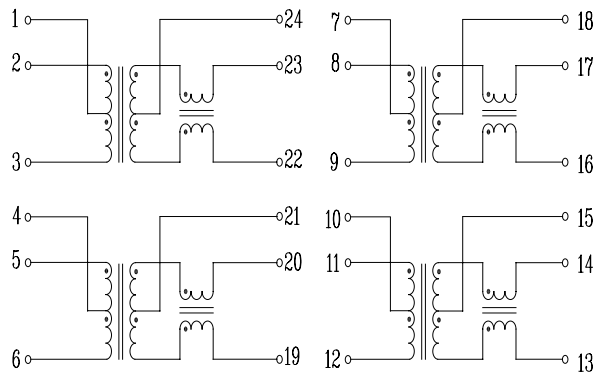
xx.xx = ±0.25

x.xx = ±0.25

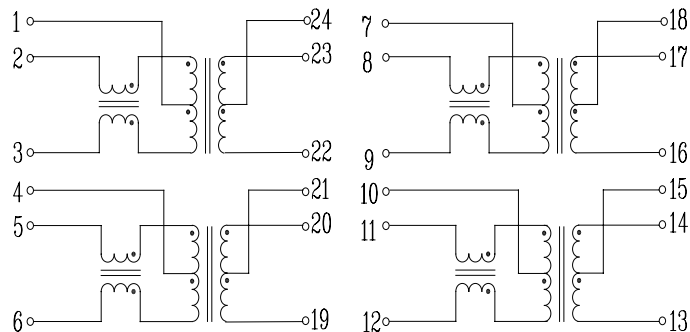
0.xx = ±0.13

Schematic

HB5G005HLT, HB5G007HLT, HXB5G011HLT



HB5G006/9HLT, HXB5G008HLT, HXB5G010/12/13/14HLT

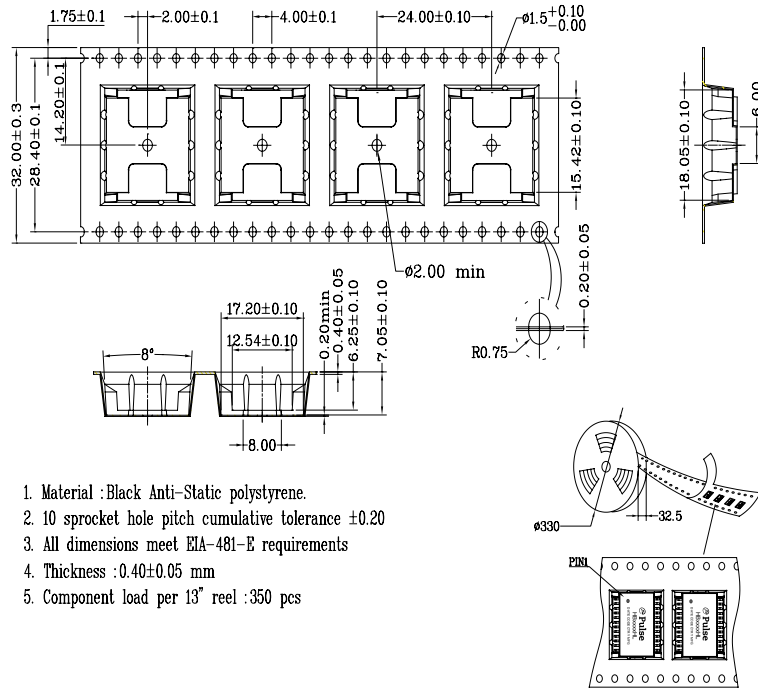


Single Port 5GBase-T Magnetic Modules

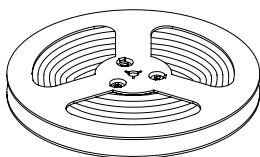
HB5G005HLT, HB5G006HLT, HB5G007HLT, HXB5G008HLT, HB5G009HLT, HXB5G010HLT, HXB5G011HLT, HXB5G012HLT, HXB5G013HLT and HXB5G014HLT

Tape & Reel

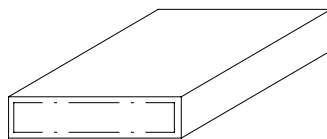
HB5G00xHLT, HXB5G01xHLT



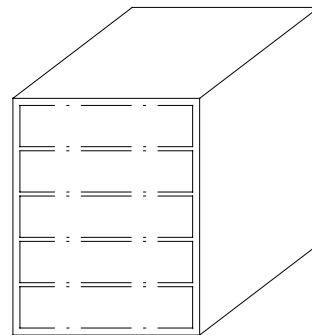
HB5G00xHLT, HXB5G01xHLT



REEL



INNER BOX: 347x347x82



OUTER CARTON: 375x375x470

1. 1 REEL=350PCS
2. 1 INNER BOX=1 REEL=350PCS
3. 1 OUTER CARTON=5 INNER BOXES=1750PCS

For More Information:

Americas - proinfo_network_americas@yageo.com | Europe - proinfo_network_emea@yageo.com | Asia - proinfo_network_asia@yageo.com

Performance warranty of products offered on this data sheet is limited to the parameters specified. Data is subject to change without notice. Other brand and product names mentioned herein may be trademarks or registered trademarks of their respective owners. © Copyright, 2024. Pulse Electronics, Inc. All rights reserved.

YAGEO Corporation and its affiliates do not recommend the use of commercial or automotive grade products for high reliability applications or manned space flight.