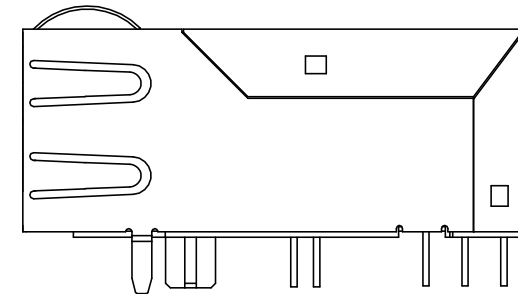
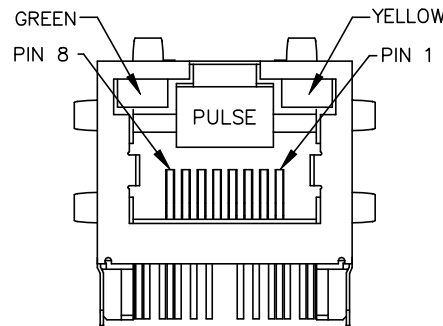
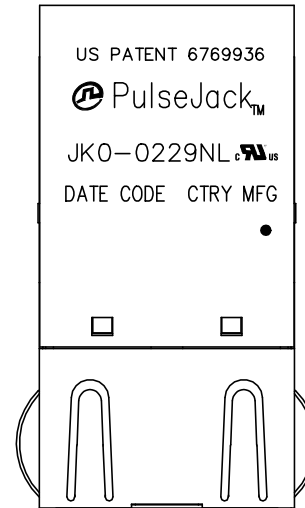




NOTES:

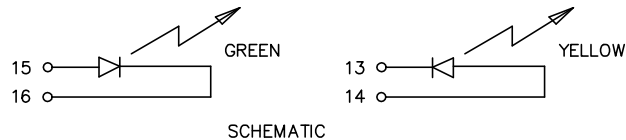
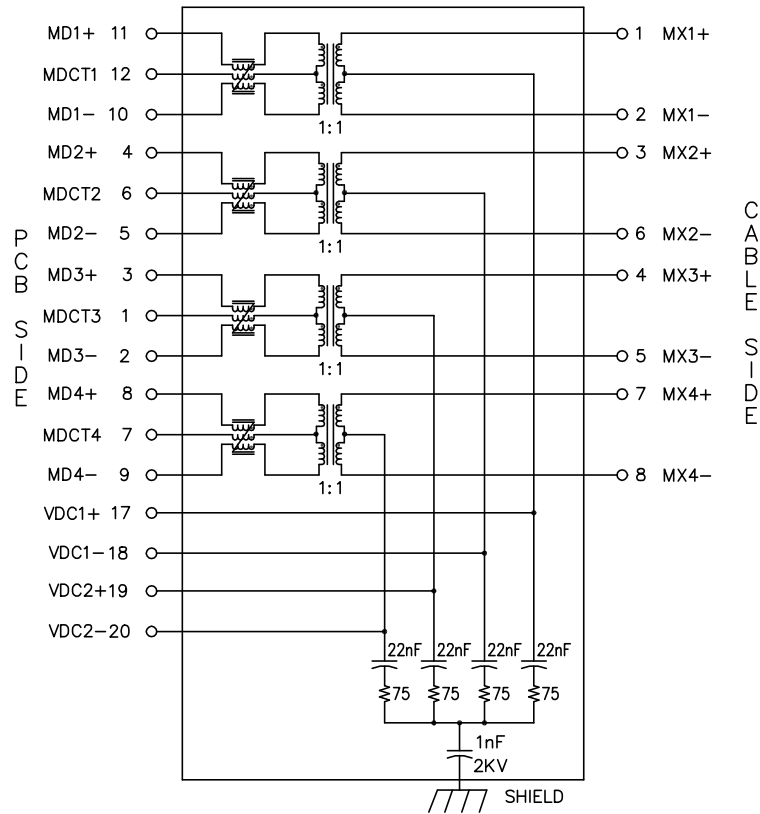
1. ROHS COMPLIANT
2. PLASTIC HOUSING: THERMOPLASTIC MATERIAL WITH FLAMMABILITY RATING UL 94V-0 OR BETTER.
3. CONTACTS PLATING: 30 MICRO-INCH GOLD PLATING.
4. CONTACTS BASE MATERIAL: PHOSPHOR BRONZE
5. UNDER PLATING: 30-50u INCHES NICKEL
6. SOLDER TAIL PLATING : 200-500 uINCHES 100% TIN, MATTE FINISH.
7. METAL SHIELD: NICKEL PLATING ON COPPER ALLOY.
8. JACK CAVITY CONFORMS TO FCC PART 68 SUBPART.
9. PCB PLATING: HASL
10. STORAGE TEMPERATURE: -20°C TO +125°C
11. COMPLIANCE TO J-STD:
 - A. J-STD-002: SOLDERABILITY AT 245°C DIP AND LOOK TEST
 - B. J-STD-020: LEVEL 1, NO MOISTURE SENSITIVE
 - C. J-STD-075: W2, 270°C MAXIMUM THROUGH WAVE SOLDER



FINAL OUTLINE

© Copyright, 2021. Pulse Electronics Corp. All rights reserved. Pulse confidential & proprietary. (04/06/21)

PRODUCT DESCRIPTION	TLA DRAWING	PS DRAWING	SHEET	PART NO.	DATASHEET REV.
CONN,RJ45,1X1,1GPP,1:1,TY	JK0-0229NL-11	PS-2390.001-C	1 OF 5	JK0-0229NL	D



ELECTRICAL CHARACTERISTICS AT +25°C UNLESS OTHER SPECIFIED
MEETS IEEE 802.3 SPECIFICATION

PARAMETER	SPECIFICATION	
OPERATING TEMP	0°C TO +70°C	
TURNS RATIO	1 : 1 ±2%	
POLARITY	PER SCHEMATIC	
INSERTION LOSS	100 KHz	1-125 MHz
	-1.2 dB MAX	-0.2-0.002*f ^{1.4} dB MAX
RETURN LOSS (Z OUT = 100 OHM ±15%)	.1-40 MHz	40-100 MHz
	-16 dB MIN	-10+20*LOG ₁₀ (f/80 MHz) dB MIN
INDUCTANCE (OCL) @ 100kHz, 100mVRMS FROM 0°C TO +70°C	180 uH MIN	120 uH MIN
	WITHOUT 0mA DC BIAS	WITH 20.5 mA DC BIAS
CROSSTALK, ADJACENT CHANNELS	1 MHz	10-100 MHz
	-50 dB MIN	-55+22*LOG ₁₀ (f/10) dB MIN
COMMON MODE REJECTION RATIO	2 MHz	30-200 MHz
	-50 dB MIN	-15+20*LOG ₁₀ (f/200) dB MIN
DC RESISTANCE, 1/2 WINDING	.35 OHMS MAX	
DC RESISTANCE IMBALANCE	±.050 OHMS MAX (CENTER TAP SYMMETRY)	
DC CURRENT/VOLTAGE RATING - EACH PSE PINS	1.37A MAX, 57 V (CONTINUOUS)	
INPUT - OUTPUT ISOLATION	2250 VDC FOR 60 SECONDS	

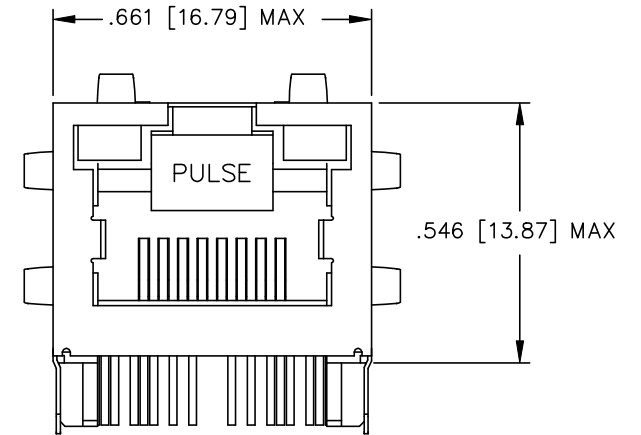
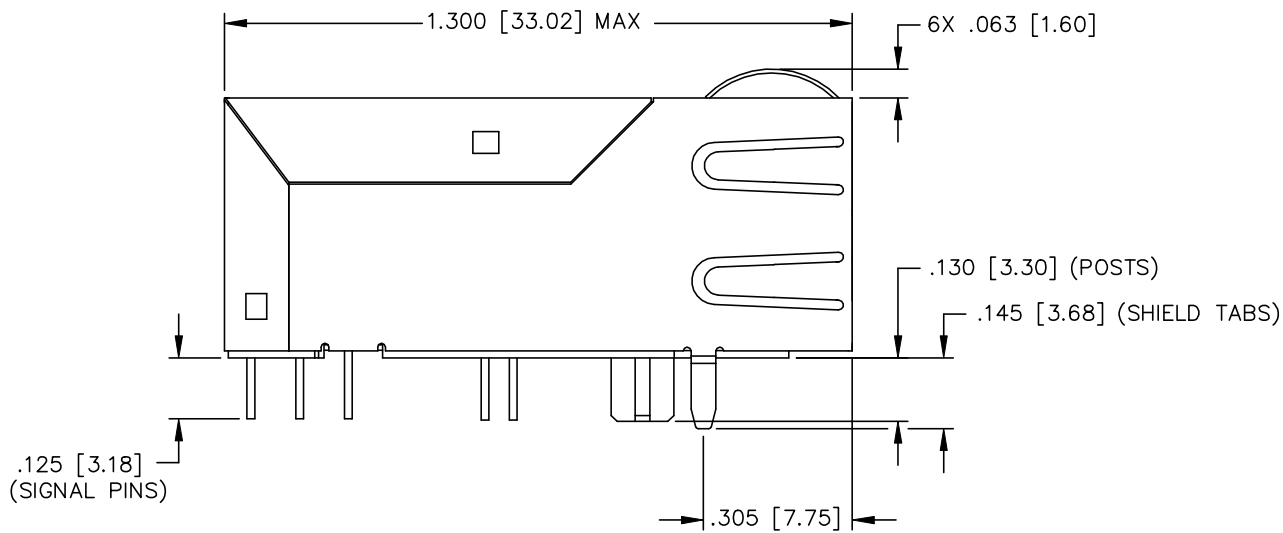
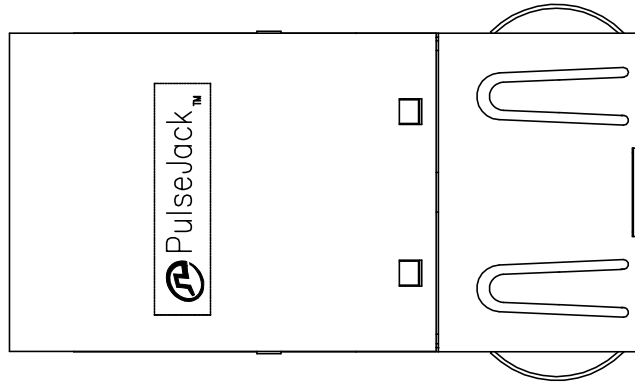
NOTE: f IS FREQUENCY IN MHZ.

EMMITTED COLOR	GREEN	YELLOW
WAVELENGTH (nm)	568 nM	585 nM
BRIGHTNESS (mCD)	8.5 TYP. @ 20mA	6.0 TYP. @ 20 mA
VIEWING ANGLE	85°-100°	85°-100°
POWER DISSIPATION (Pd)	100 mW MAX	100 mW MAX
DC FORWARD CURRENT	150 mA MAX	150 mA MAX
FORWARD VOLTAGE (Vf)	2.2 TO 2.6 VOLTS	2.1 TO 2.6 VOLTS
REVERSE VOLTAGE (Vr)	5.0 V MAX	5.0 V MAX

NOTE: PER VENDOR'S SPECIFICATIONS

© Copyright, 2021. Pulse Electronics Corp. All rights reserved. Pulse confidential & proprietary. (04/06/21)

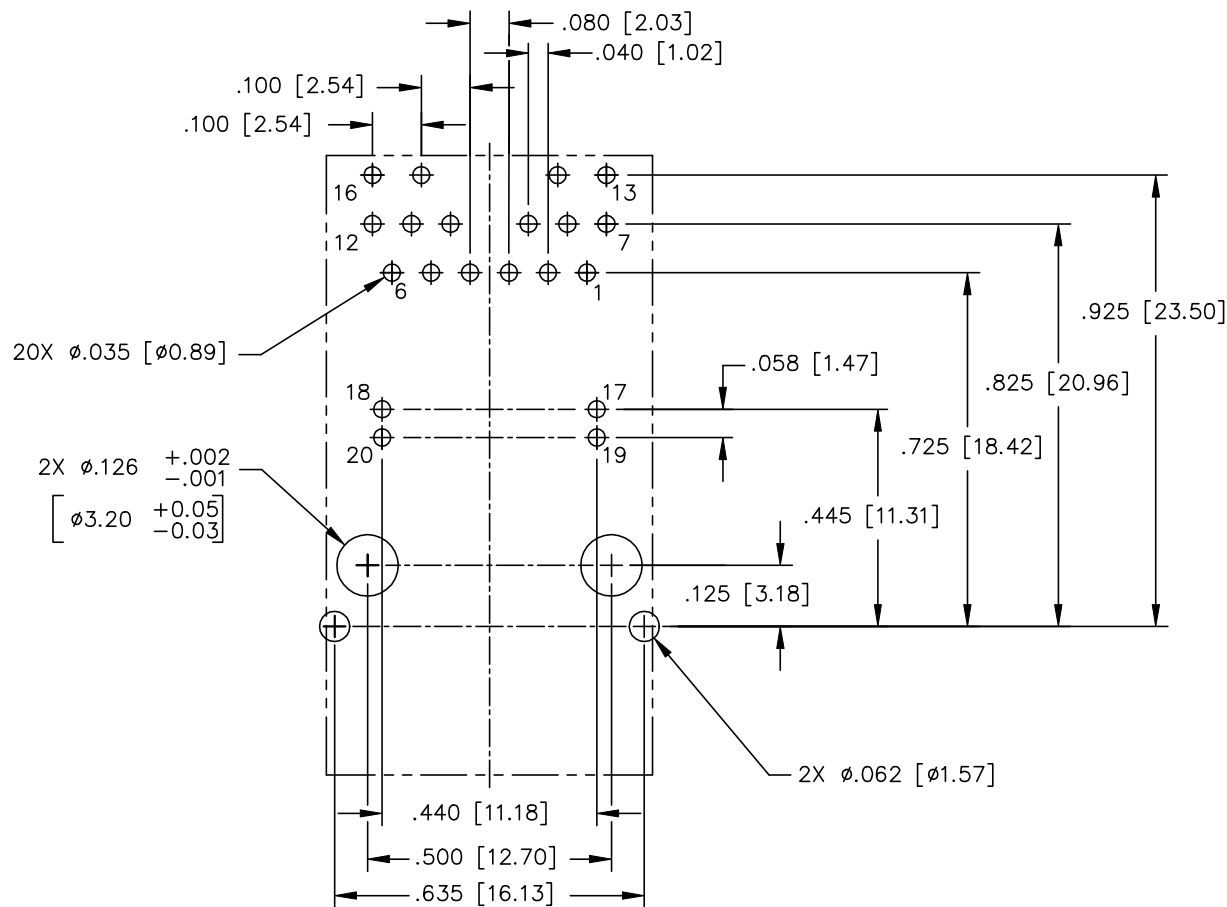
PRODUCT DESCRIPTION	TLA DRAWING	PS DRAWING	SHEET	PART NO.	DATASHEET REV.
CONN,RJ45,1X1,1GPP,1:1,TY	JK0-0229NL-11	PS-2390.001-C	2 OF 5	JK0-0229NL	D



DIMENSIONS ARE IN INCHES [MILLIMETERS] WITH THE FOLLOWING TOLERANCES: [MILLIMETERS] ARE FOR REFERENCE ONLY.
 .XX= ±.02 [±0.5]
 .XXX= ±.010 [±0.25]

© Copyright, 2021. Pulse Electronics Corp. All rights reserved. Pulse confidential & proprietary. (04/06/21)

PRODUCT DESCRIPTION	TLA DRAWING	PS DRAWING	SHEET	PART NO.	DATASHEET REV.
CONN,RJ45,1X1,1GPP,1:1,TY	JK0-0229NL-11	PS-2390.001-C	3 OF 5	JK0-0229NL	D



FRONT OF CONNECTOR

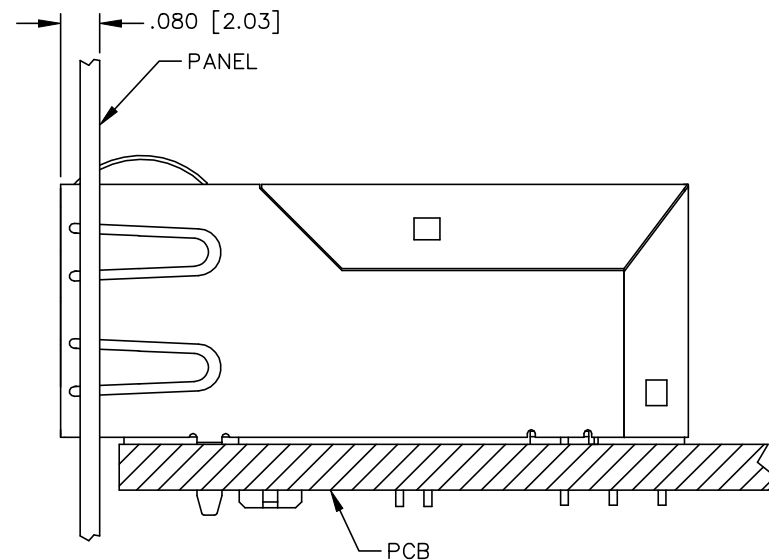
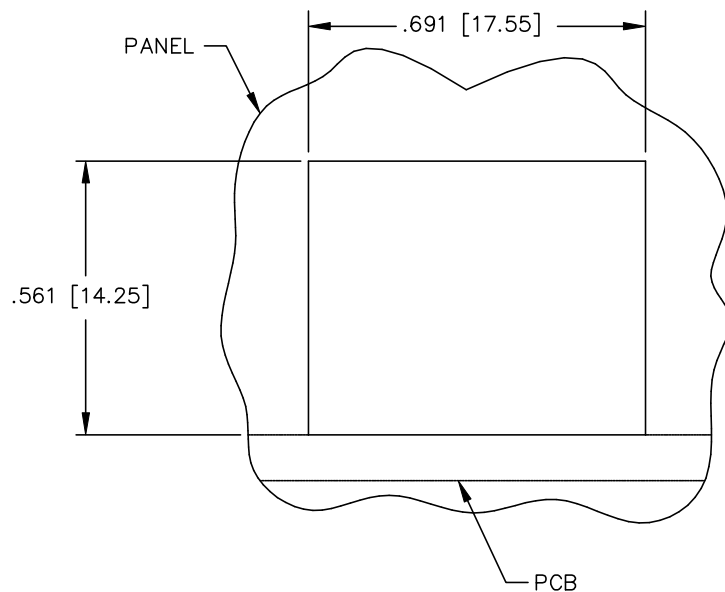
SUGGESTED PCB LAYOUT
(COMPONENT SIDE SHOWN)

DIMENSIONAL TOLERANCE:
.XXX ±.003 [X.XX ±0.08]

DIMENSIONS ARE IN INCHES [MILLIMETERS] WITH THE FOLLOWING
TOLERANCES: [MILLIMETERS] ARE FOR REFERENCE ONLY.
.XX= ±.02 [±0.5]
.XXX= ±.010 [±0.25]

© Copyright, 2021. Pulse Electronics Corp. All rights reserved. Pulse confidential & proprietary. (04/06/21)

PRODUCT DESCRIPTION	TLA DRAWING	PS DRAWING	SHEET	PART NO.	DATASHEET REV.
CONN,RJ45,1X1,1GPP,1:1,TY	JK0-0229NL-11	PS-2390.001-C	4 OF 5	JK0-0229NL	D



SUGGESTED PANEL CUTOUT

DIMENSIONS ARE IN INCHES [MILLIMETERS] WITH THE FOLLOWING TOLERANCES: [MILLIMETERS] ARE FOR REFERENCE ONLY.

.XX= ±.02 [±0.5]
.XXX= ±.010 [±0.25]

© Copyright, 2021. Pulse Electronics Corp. All rights reserved. Pulse confidential & proprietary. (04/06/21)

PRODUCT DESCRIPTION	TLA DRAWING	PS DRAWING	SHEET	PART NO.	DATASHEET REV.
CONN,RJ45,1X1,1GPP,1:1,TY	JK0-0229NL-11	PS-2390.001-C	5 OF 5	JK0-0229NL	D