

**Description:**

10Gigabit (10GBase-T) single port RJ45 right angle entry, mid-mount PCB platform with integrated magnetics connector, designed to support applications, such as embedded computing, NIC Cards, Low Profile Servers and switches



- Ⓢ RoHS peak wave solder temperature rating 260°C
- Ⓢ Side entry, mid-mount to minimize height above PCB to less than 9.6mm
- Ⓢ Meets IEEE 802.3 specification
- Ⓢ Matched to leading 10G Phys in the Market
- Ⓢ High performance for maximum EMI suppression
- Ⓢ Lead (Pb) and Halogen Free

**Electrical Specifications @ 25°C - Operating Temperature 0°C to +70°C**

| Part Number | LEDs <sup>1</sup> | OCL PHY side (MIN) (100KHz, 100V) | Number of Channels | Insertion Loss TX/RX (dB) | Return Loss (dB MIN) 100Ω (±15Ω) |           |         |         |             | Cross Talk (dB TYP) |             | Common Mode Rejection (dB TYP) |             |             | Hipot (MIN) @60Hz 1 MIN |
|-------------|-------------------|-----------------------------------|--------------------|---------------------------|----------------------------------|-----------|---------|---------|-------------|---------------------|-------------|--------------------------------|-------------|-------------|-------------------------|
|             |                   |                                   |                    |                           | 1-100 MHz                        | 1-100 MHz | 200 MHz | 300 MHz | 400-500 MHz | 1-100 MHz           | 200-500 MHz | 1-100 MHz                      | 100-300 MHz | 300-500 MHz |                         |
| JT3-1105HL  | G/G-Y             | 180uH                             | N/A                | -1.2                      | -2.2                             | -16       | -13     | -9      | -28         | -19                 | -38         | -30                            | -25         | 1500Vrms    |                         |
| JT3-1115HL  | G-Y/G             | 180uH                             | N/A                | -1.2                      | -2.2                             | -16       | -13     | -9      | -28         | -19                 | -38         | -30                            | -25         | 1500Vrms    |                         |
| JT3-1125HL  | G-Y/G             | 180uH                             | N/A                | -1.0                      | -2.2                             | -18       | -13     | -9      | -28         | -19                 | -38         | -30                            | -25         | 1500Vrms    |                         |
| JT3-1128HL  | None              | 180uH                             | N/A                | -1.0                      | -2.2                             | -18       | -13     | -9      | -28         | -19                 | -38         | -30                            | -25         | 1500Vrms    |                         |

Notes: 1. LEDs Left/Right G = green, Y = yellow

**RJ45 Durability Testing Rating**

| Part Number | Mating Force (MAX) | Unmating Force (MAX) | Durability     | Plug to Jack Retention (MIN) |
|-------------|--------------------|----------------------|----------------|------------------------------|
| JT3 Series  | 5 lbs./2.268 kgs.  | 5 lbs./2.268 kgs.    | 750 Insertions | 20 lbs./9.072 kgs.           |

**RJ45 Material Specification**

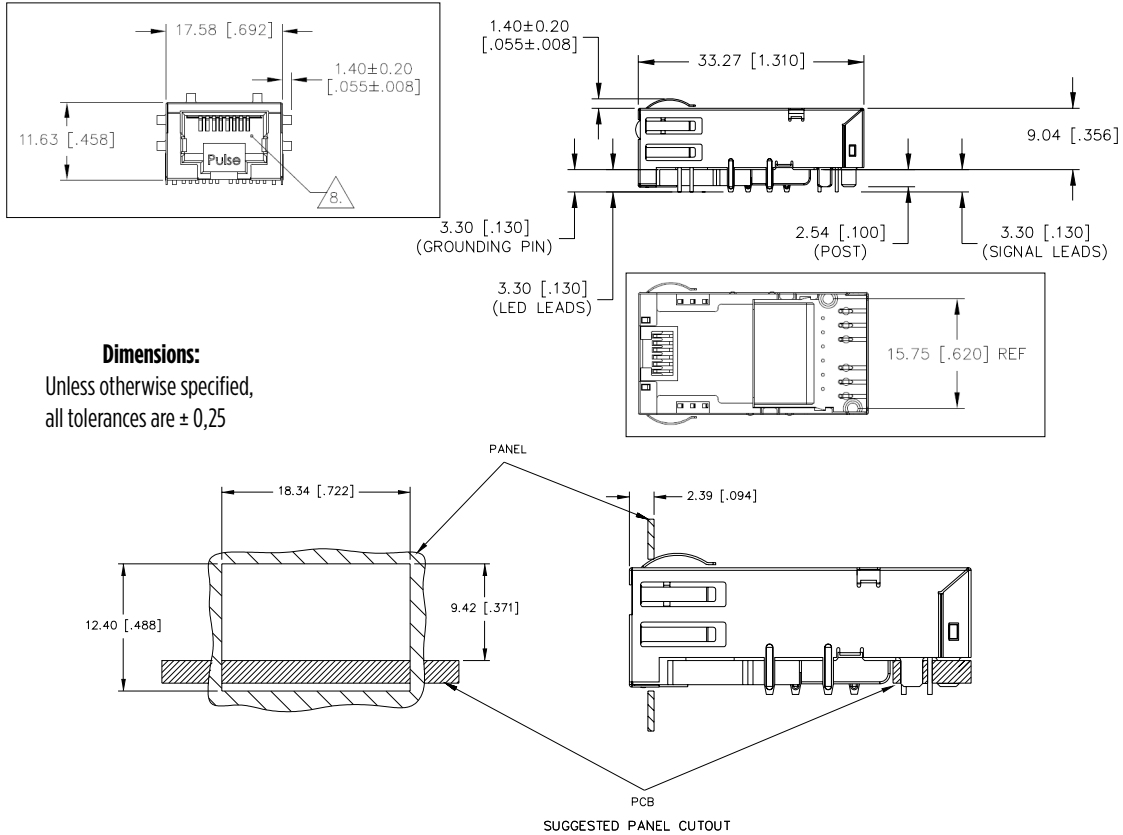
| Part Number | Shield   |                                       | Contact         |  |                              | Housing       |               | MSL <sup>2</sup> Rating |
|-------------|----------|---------------------------------------|-----------------|--|------------------------------|---------------|---------------|-------------------------|
|             | Material | Finish                                | Material        | Plating Area                           | Solder Area                  | Material      | Specification |                         |
| JT3 Series  | Brass    | 30-50μ inches thick nickel over brass | Phosphor Bronze | 30μ inches gold over 50μ inches nickel | Tin matte finish over nickel | Thermoplastic | UL 94 V-0     | 1                       |

Notes: 1. Connector dimensions comply with FCC dimension requirements.

2. MSL - Moisture Sensitivity Level

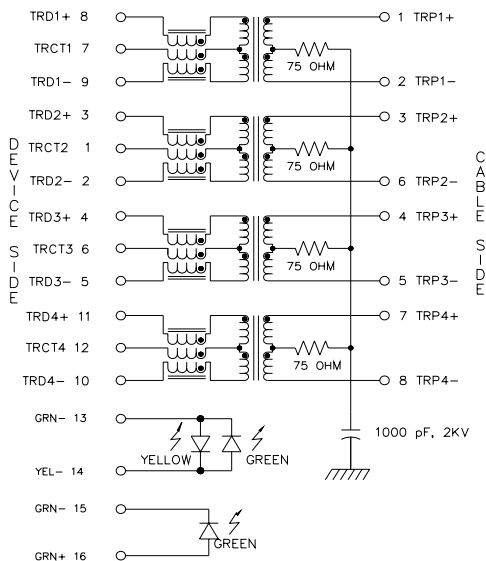
**MECHANICALS**

**JXD2-0Z11NL/-0Z14NL**

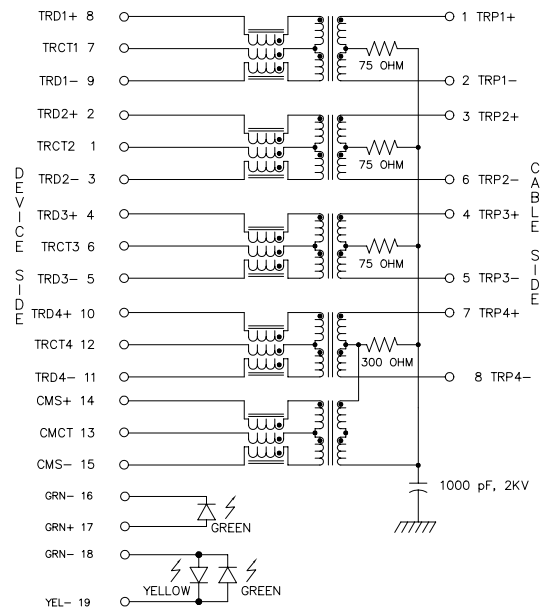


**SCHEMATICS**

**JT3-1105NL**

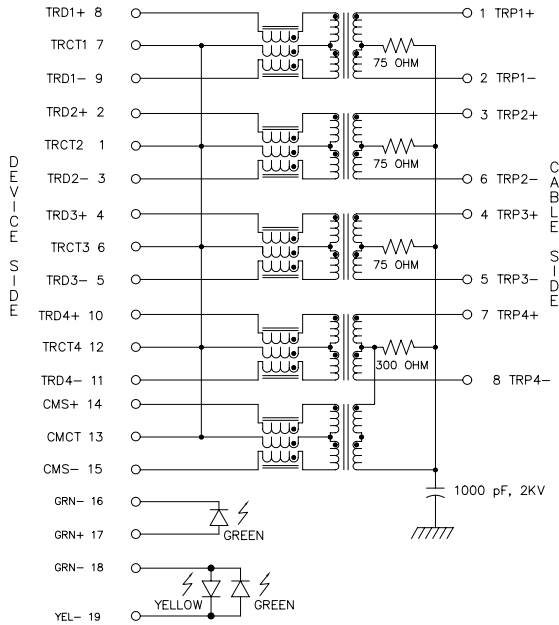


**JT3-1115NL**

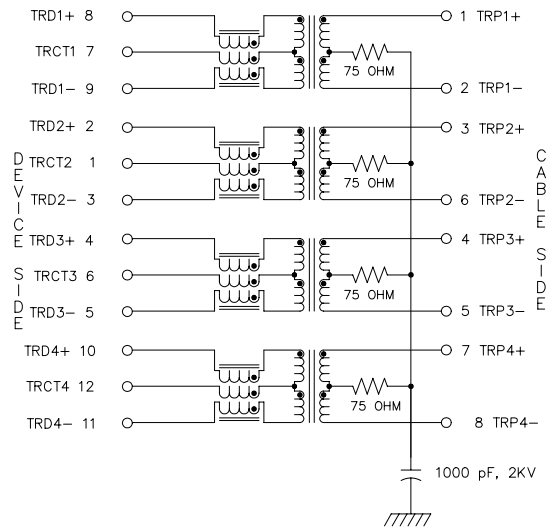


**SCHEMATICS**

**JT3-1125HL**

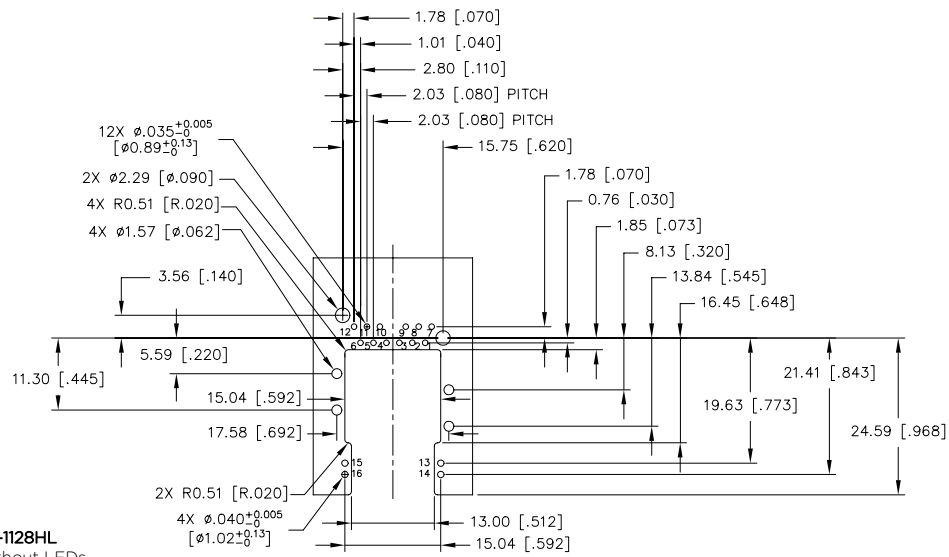


**JT3-1128HL**



**PCB LAYOUT**

**JT3-1105HL, JT3-1128HL - 4 Channel**

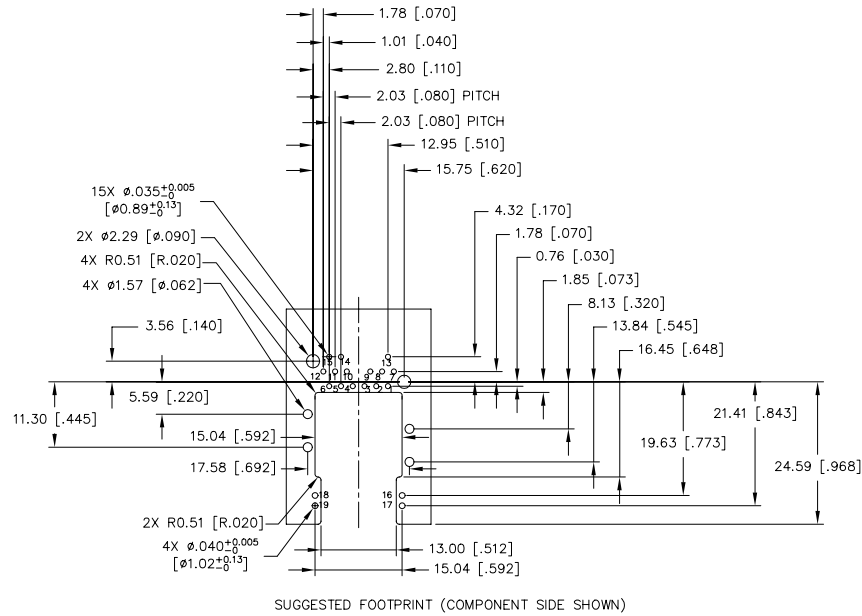


**NOTE: JT3-1128HL**  
-Option without LEDs  
OMIT PINS 13 - 15

SUGGESTED FOOTPRINT (COMPONENT SIDE SHOWN)

## PCB LAYOUT

JT3-1115HL, JT3-1125HL - 5 Channel



## LED DETAILS

JT3-11xxHL

| EMITTED COLOR                | GREEN      | YELLOW     |
|------------------------------|------------|------------|
| WAVELENGTH (nm)              | 565        | 590        |
| POWER DISSIPATION (Pd)       | 105 mW MAX | 105 mW MAX |
| DC FORWARD CURRENT           | 20 mA MAX  | 20 mA MAX  |
| FORWARD VOLTAGE (VF) @ 20 mA | 2.2V TYP   | 2.1V TYP   |

Note: Per Vendor Specification

### For More Information:

Americas - [prod\\_info\\_network\\_americas@yageo.com](mailto:prod_info_network_americas@yageo.com) | Europe - [prod\\_info\\_network\\_emea@yageo.com](mailto:prod_info_network_emea@yageo.com) | Asia - [prod\\_info\\_network\\_apac@yageo.com](mailto:prod_info_network_apac@yageo.com)

Performance warranty of products offered on this data sheet is limited to the parameters specified. Data is subject to change without notice. Other brand and product names mentioned herein may be trademarks or registered trademarks of their respective owners. © Copyright, 2023. Pulse Electronics, Inc. All rights reserved.