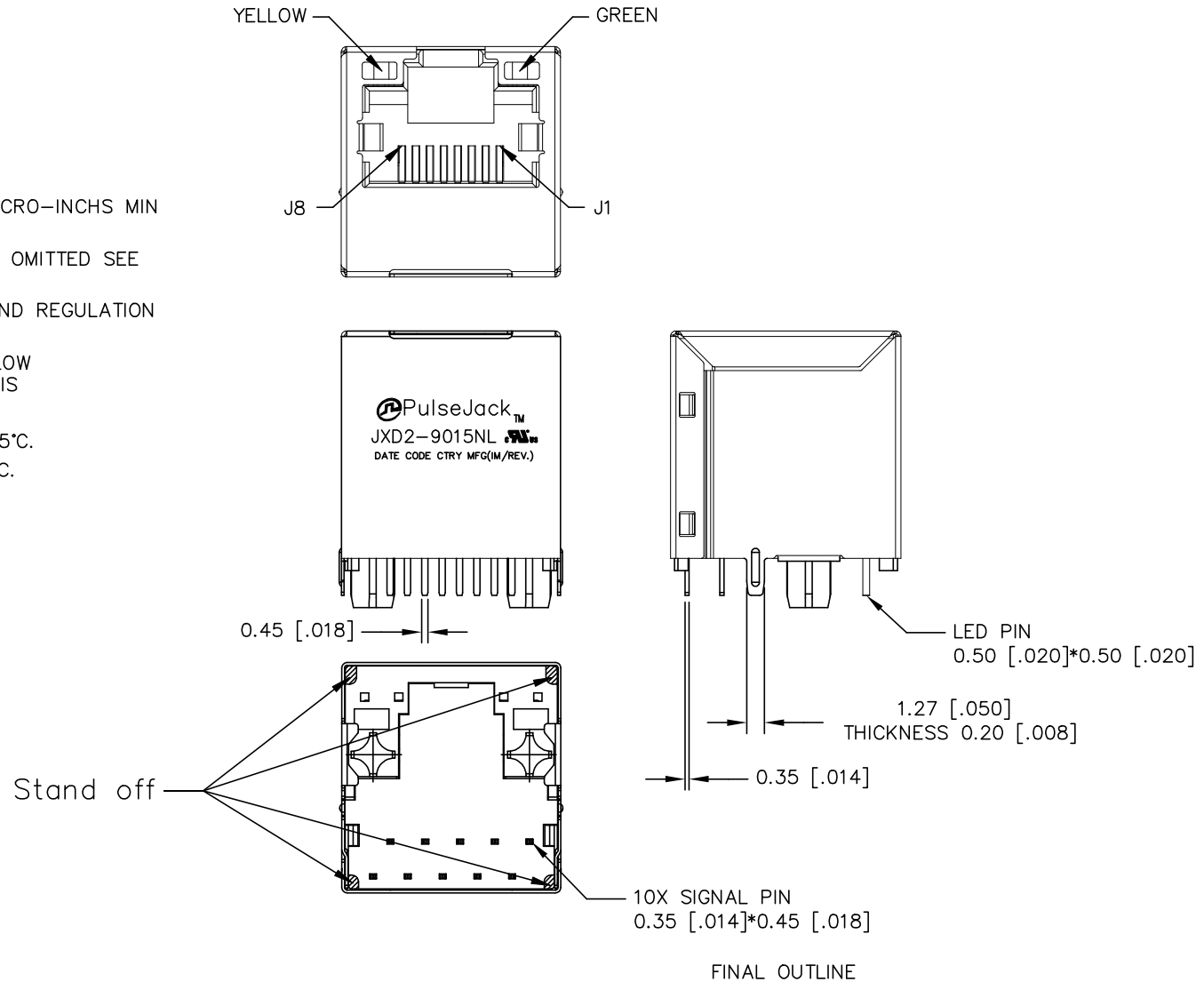




NOTES:

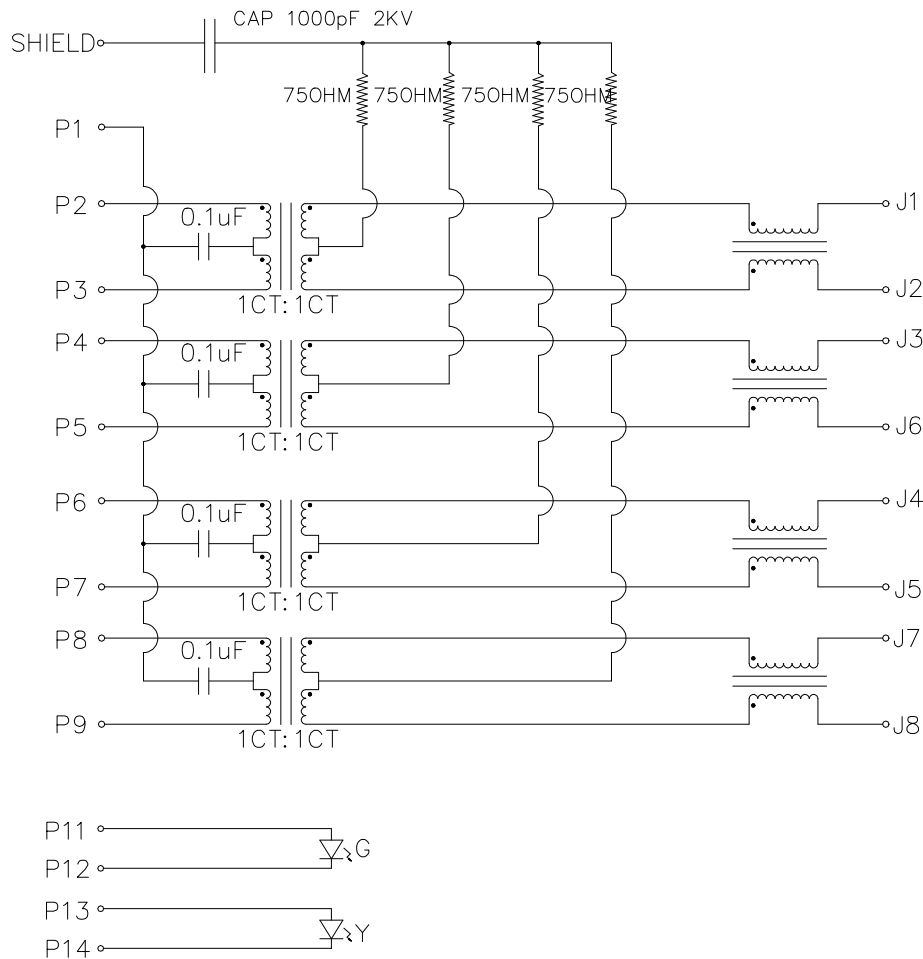
1. CONNECTOR MATERIAL:
HOUSING: LCP BLACK UL94 V-0
INSERTER: LCP BLACK UL94 V-0
SHIELD: Brass
SHIELD PLATING: NICKEL
CONTACT: COOPER ALLOY
CONTACT PLATING: SELECTIVE GOLD, 30 MICRO-INCHS MIN IN CONTACT AREA
2. PIN NOT ELECTRICALLY CONNECTED MAYBE OMITTED SEE ELECTRICAL DRAWING FOR OMITTED PINS
3. RJ45 CAVITIES CONFORM TO FCC RULES AND REGULATION PART 68.

THE PART IS RECOMMENDED FOR IR REFLOW PROCESS PEAK SOLDERING TEMPERATURE IS 245°C MAX, 10 SECS MAX
5. OPERATING TEMPERATURE T=-40°C TO +85°C.
6. STORAGE TEMPERATURE T=-40°C TO +85°C.



© Copyright, 2018. Pulse Electronics Corp. All rights reserved. Pulse confidential & proprietary. (12/26/18)

PRODUCT DESCRIPTION	TLA DRAWING	PS DRAWING	SHEET	PART NO.	DATASHEET REV.
CONN,RJ45,1X1,1GD,1: 1,TU	JXD2-9015NL-P2	-	1 OF 6	JXD2-9015NL	C



SCHEMATIC

ELECTRONICAL SPECIFICATIONS:

- TURN RATIO @100KHz: (P2~P3):(J1~J2) = 1:1±5%
(P4~P5):(J3~J6) = 1:1±5%
(P6~P7):(J4~J5) = 1:1±5%
(P8~P9):(J7~J8) = 1:1±5%
- PRIMARY INDUCTANCE: 350uH MIN @100KHz, 0.1V 8mA DC BIAS
- DC RESISTANCE: 1.2 OHMS MAX
- INSERTION LOSS: 1-100MHz -1.0dB MAX
100-125MHz -1.2dB MAX
- RETURN LOSS: 1-40MHz -16dB MIN
40-60MHz -12dB MIN
60-80MHz -10dB MIN
80-100MHz -8dB MIN
- CROSS TALK: 1-100MHz -30dB MIN
- COMMON TO COMMON MODE ATTENUATION: 1-100MHz -30dB MIN
- ISOLATION: PHY SIDE TO LINE SIDE: 2250VDC

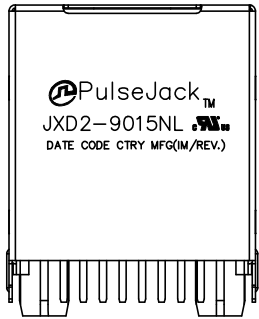
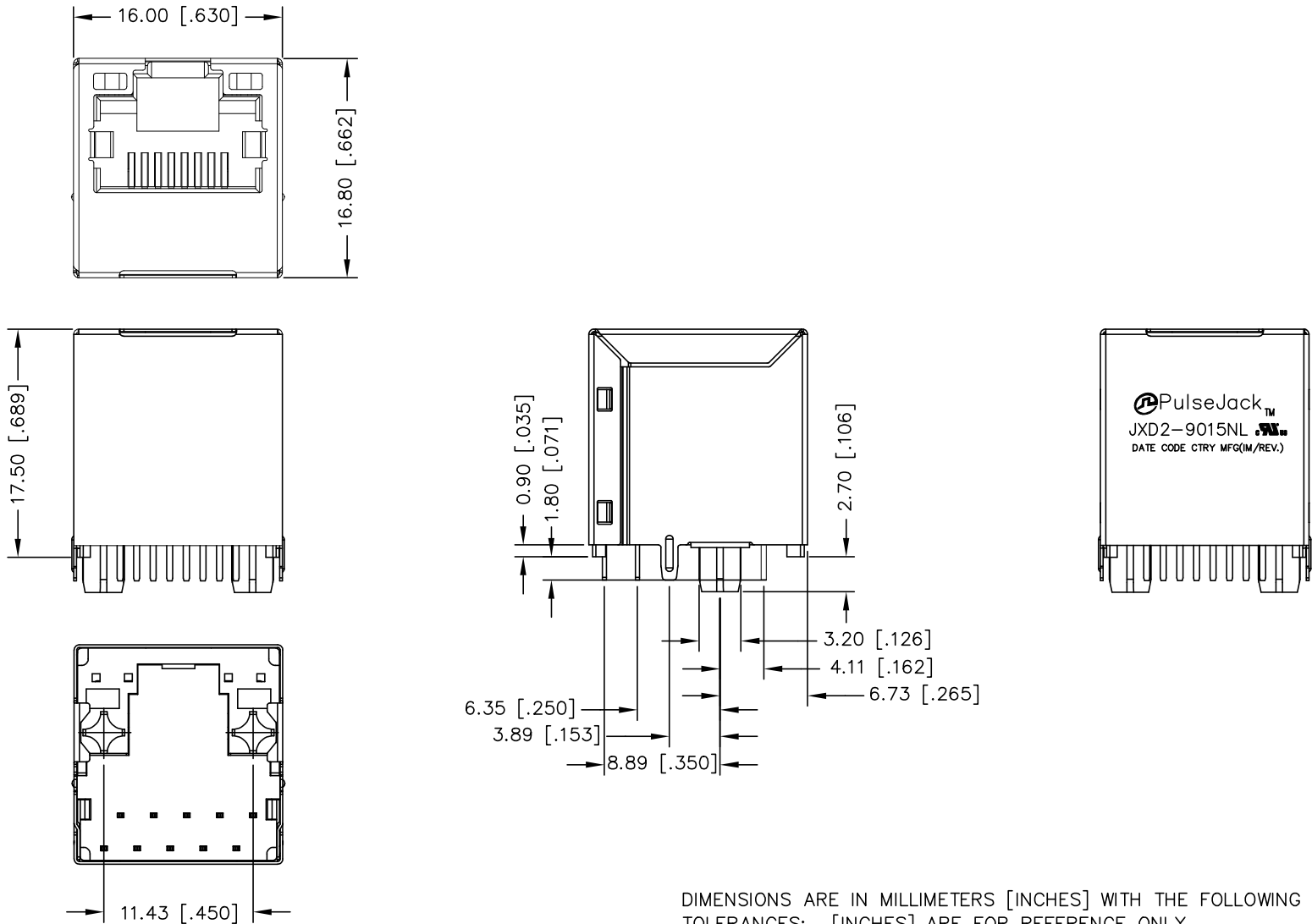
LED SPECIFICATIONS:

STANDARD LED	WAVELENGTH	FORWARD V(MAX)	TYP
GREEN	565nm	2.4V	2.2V
YELLOW	590nm	2.5V	2.1V

*WITH A FORWARD CURRENT OF 20mA

© Copyright, 2018. Pulse Electronics Corp. All rights reserved. Pulse confidential & proprietary. (12/26/18)

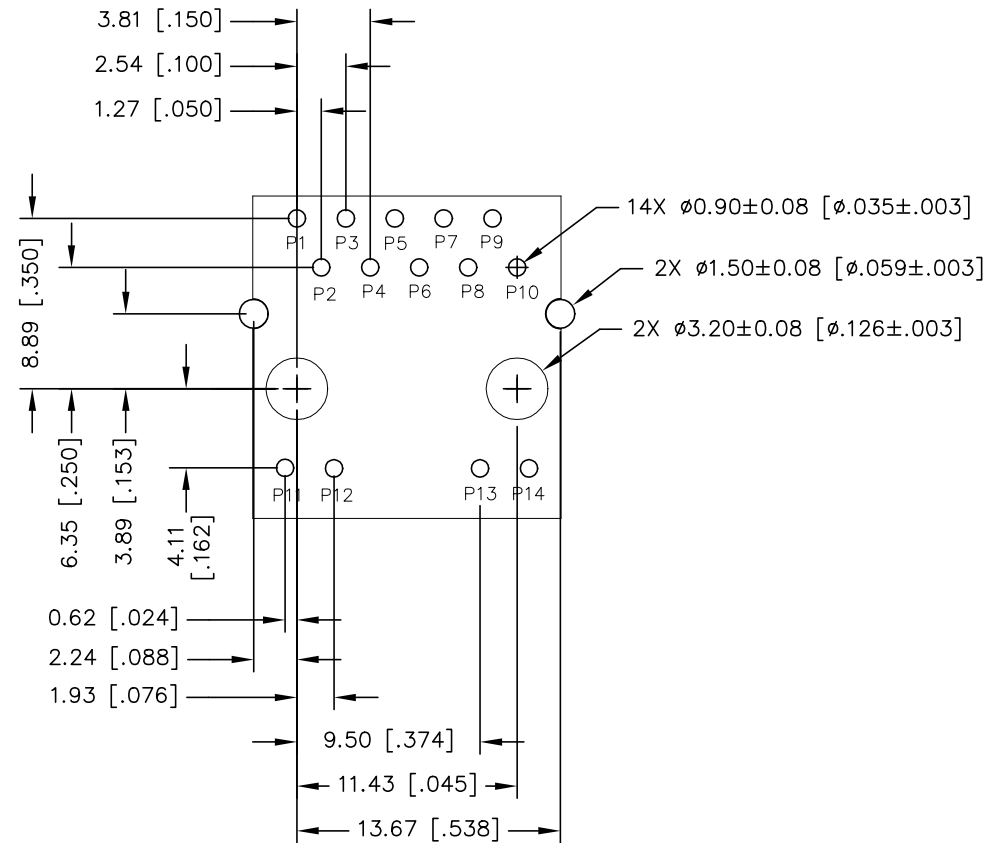
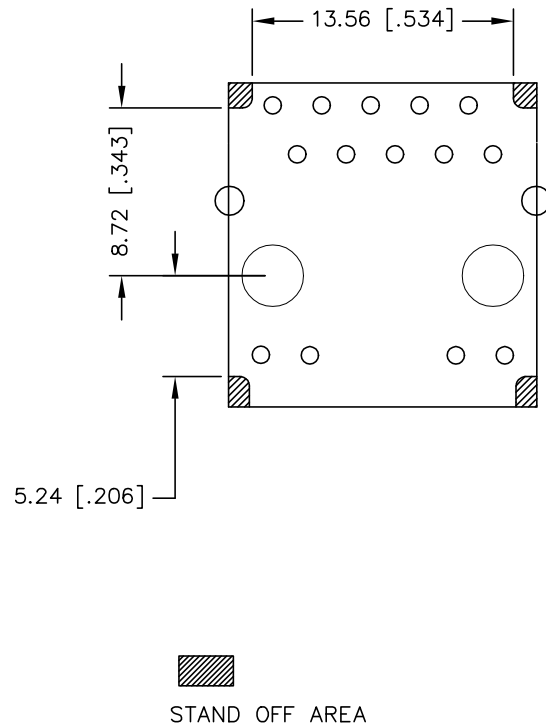
PRODUCT DESCRIPTION	TLA DRAWING	PS DRAWING	SHEET	PART NO.	DATASHEET REV.
CONN,RJ45,1X1,1GD,1:1,TU	JXD2-9015NL-P2	-	2 OF 6	JXD2-9015NL	C



DIMENSIONS ARE IN MILLIMETERS [INCHES] WITH THE FOLLOWING TOLERANCES: [INCHES] ARE FOR REFERENCE ONLY. X.XX= ±0.25 [±.010]

© Copyright, 2018. Pulse Electronics Corp. All rights reserved. Pulse confidential & proprietary. (12/26/18)

PRODUCT DESCRIPTION	TLA DRAWING	PS DRAWING	SHEET	PART NO.	DATASHEET REV.
CONN,RJ45,1X1,1GD,1:1,TU	JXD2-9015NL-P2	-	3 OF 6	JXD2-9015NL	C

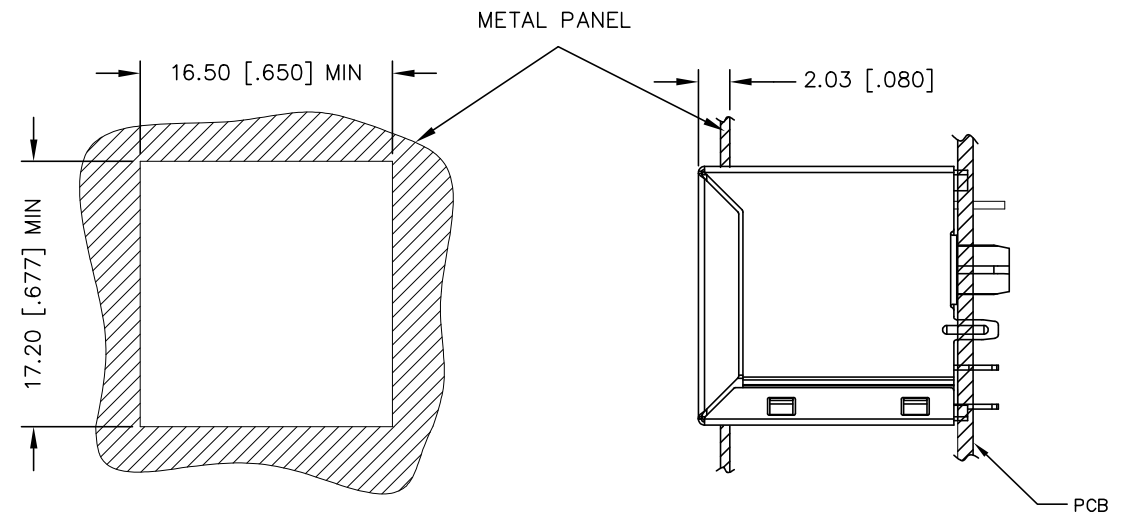
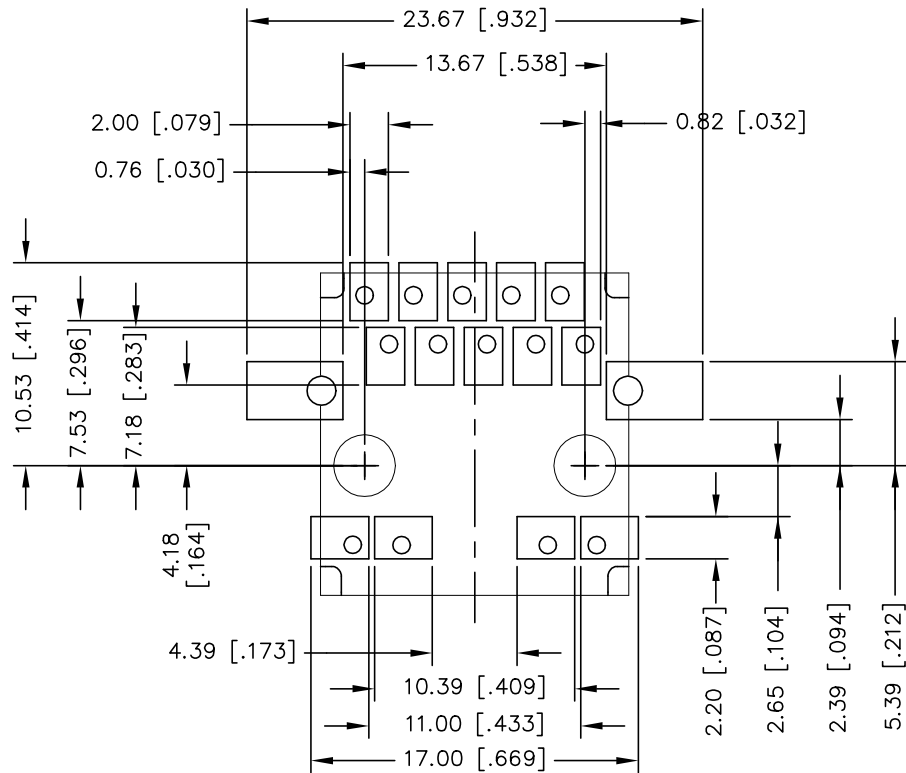


RECOMMENDED PWB LAYOUT
(COMPONENT SIDE SHOWN)

DIMENSIONS ARE IN MILLIMETERS [INCHES] WITH THE FOLLOWING TOLERANCES: [INCHES] ARE FOR REFERENCE ONLY.
X.XX= ± 0.10 [$\pm .004$]

© Copyright, 2018. Pulse Electronics Corp. All rights reserved. Pulse confidential & proprietary. (12/26/18)

PRODUCT DESCRIPTION	TLA DRAWING	PS DRAWING	SHEET	PART NO.	DATASHEET REV.
CONN,RJ45,1X1,1GD,1:1,TU	JXD2-9015NL-P2	-	4 OF 6	JXD2-9015NL	C

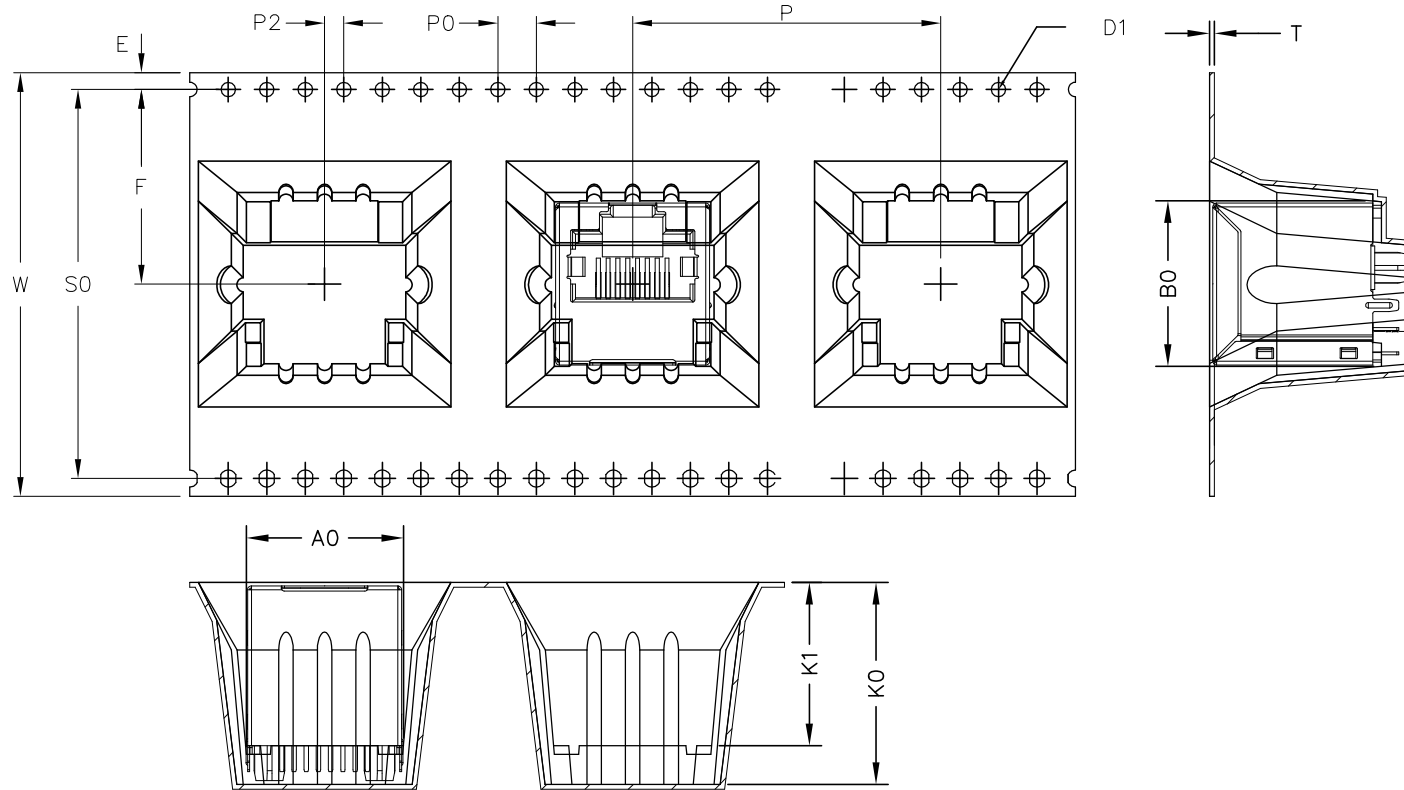


SUGGESTED PANEL CUTOUT

RECOMMENDED STENCIL DESIGN WITH 0.2mm THICKNESS
BASE ON 1.6mm THICKNESS PCB
(COMPONENT SIDE SHOWN)

© Copyright, 2018. Pulse Electronics Corp. All rights reserved. Pulse confidential & proprietary. (12/26/18)

PRODUCT DESCRIPTION	TLA DRAWING	PS DRAWING	SHEET	PART NO.	DATASHEET REV.
CONN,RJ45,1X1,1GD,1:1,TU	JXD2-9015NL-P2	-	5 OF 6	JXD2-9015NL	C



W	44.00 ±0.30	P	32.00 ±0.10	A0	16.40 ±0.15	B0	17.17 ±0.15
SO	40.40 ±0.10	P0	4.00 ±0.10	A1		B1	
E	1.75 ±0.10	P2	2.00 ±0.15	A2		B2	
F	20.20 ±0.15	D0	1.50 ^{+0.10} _{-0.00}	K0	20.95 ±0.20	K1	16.95 ±0.15
T	0.50 ±0.05	D1		SCALE:	1:1	UNIT:	mm

1. Material: Black Conductive Polystyrene Alloy.
2. Packing length per 13" reel: 3.16 Meters.
3. Component load per 13" reel: 80 pcs.
5 Reel in on box
400 pcs in one box
4. All dimension meet EIA-481-D requirements.

© Copyright, 2018. Pulse Electronics Corp. All rights reserved. Pulse confidential & proprietary. (12/26/18)

PRODUCT DESCRIPTION	TLA DRAWING	PS DRAWING	SHEET	PART NO.	DATASHEET REV.
CONN,RJ45,1X1,1GD,1: 1,TU	JXD2-9015NL-P2	-	6 OF 6	JXD2-9015NL	C