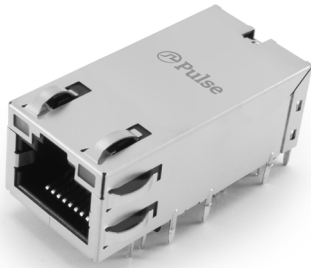


10G PulseJack™ Integrated Connectors

Rugged design for industrial and outdoor use



Features and Benefits:

- Ⓢ Fully compliant to IEEE802.3.an for 10GBase-T
- Ⓢ Compatible with market leading PHYs
- Ⓢ Designed to exceed IEEE802.3.bt with up to 140W
- Ⓢ PoE over 100m of UTP
- Ⓢ Rugged design for outdoor and industrial use
- Ⓢ Ideal for 5G and LTE small cell and Mini Base Stations as well as high speed Video and file Servers for industrial use.

Electrical Specifications @ 25°C - Operating Temperature -40°C to +85°C

Part Number	Inductance	Turns Ratio	LED Configuration (L/R)	Isolation (Pri:Sec)	IC Design Style	Power over Ethernet (PoE)	
						Isolation (Pri:Sec)	Power Supported (4 pair UTP)
JXT7-1123NL *	120uH @ 8mA	1.00 +/- 2%	None	2250VDC / 60sec	4 Channel	N/A	N/A
JXT7-1131NL *	120uH @ 18.3mA	1.00 +/- 2%	Yellow-Green/Green	2250VDC / 60sec	5 Channel	900mA	100W (PSE/PD)
JXT7-1139NL**	120uH @ 19.5mA	1.00 +/- 2%	Yellow-Green/Green	2250VDC / 60sec	4 Channel	1.3 Amp	140W (PSE/PD)
JXT7-1140NL**	120uH @ 18.3mA	1.00 +/- 2%	Yellow-Green/Yellow-Green	2250VDC / 60sec	4 Channel	1.0 Amp	100W (PSE/PD)

Notes:

* Design for Marvell 10G Phy 88X3310, **4 channel design for Broadcom 10G Phy BCM84xxx

Part Number	Insertion Loss (MAX)			Return Loss (MIN)			CMRR (MIN)		
	100kHz	100MHz	400MHz	1-100MHz	250MHz	500MHz	1-40MHz	40 - 100MHz	100 - 500MHz
JXT7-1123NL	-3.0dB	-2.0dB	-2.0dB	-22dB	-13.7dB	-7.50dB	-30dB	-28dB	-26dB
JXT7-1131NL	-3.0dB	-2.0dB	-2.0dB	-22dB	-13.7dB	-7.50dB	-30dB	-28dB	-26dB
JXT7-1139NL	-3.0dB	-2.0dB	-2.0dB	-22dB	-13.7dB	-7.50dB	-30dB	-28dB	-26dB
JXT7-1140NL	-3.0dB	-2.0dB	-2.0dB	-22dB	-13.7dB	-7.50dB	-30dB	-28dB	-26dB

Notes:

1. ROHS Compliant:
2. Plastic housing: LCP material with flammability rating UL94V-0
3. Contacts plating: 30 micro-inch gold plating
4. Contacts base material: Phosphor bronze
5. Under plating: 50u inches min nickel
6. Solder Tail Plating: 100 min u inches 100% tin, matte finish
7. Metal shield - nickel plating on Brass
8. Jack cavity conforms to FCC part 68 subpart
9. PCB plating: HASL
10. Storage temperature: -20°C to 125°C
11. Compliance to J-STD:
 - A. J-STD-002: solderability at 245°C DIP and LOOK test
 - B. J-STD-020: level 1, no moisture sensitive
 - C. J-STD-075: W2, 270°C maximum through wave solder
12. The NL suffix part comes in trays with 50pcs/tray.

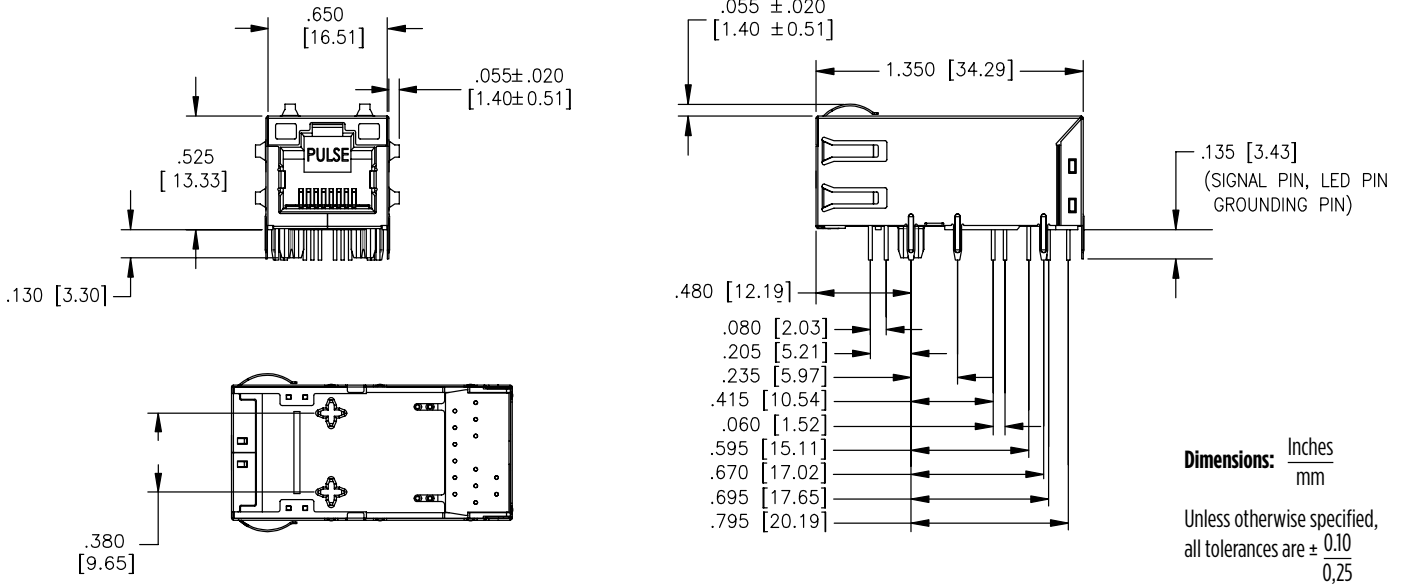
10G PulseJack™ Integrated Connectors

Rugged design for industrial and outdoor use



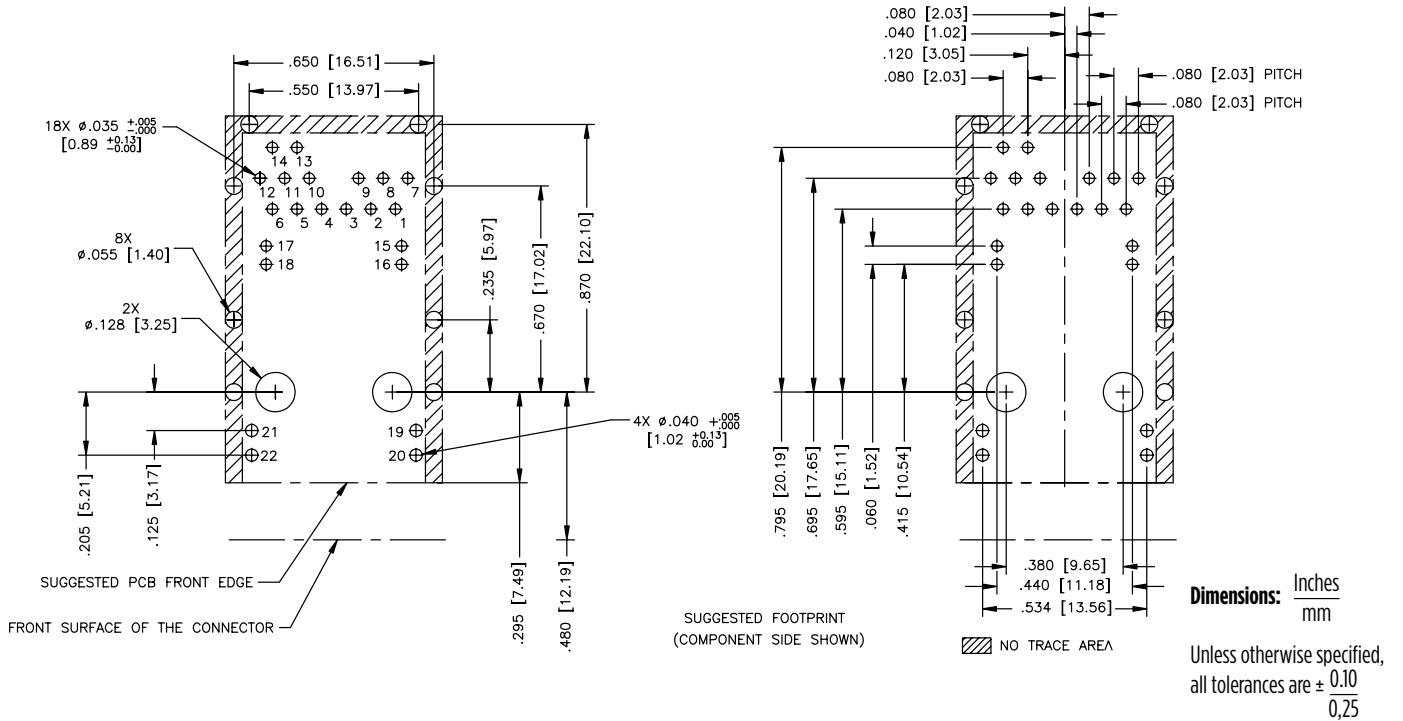
MECHANICALS

JXT7-1131NL



RECOMMENDED FOOTPRINT

JXT7-1131NL



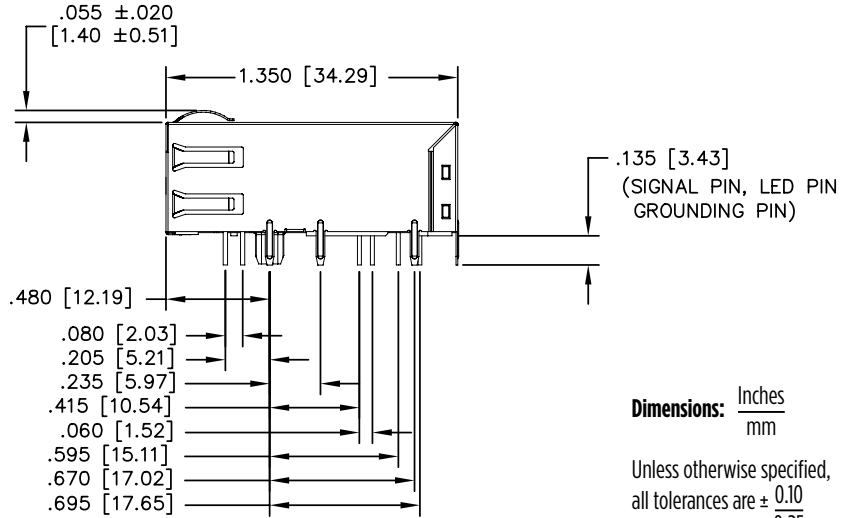
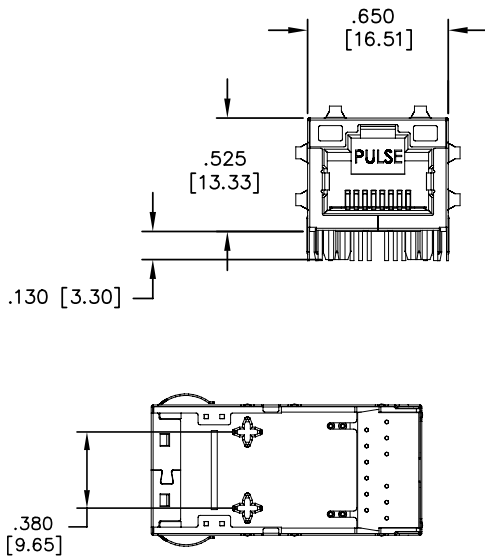
10G PulseJack™ Integrated Connectors

Rugged design for industrial and outdoor use



MECHANICALS

JXT7-1139NL, JXT7-1140NL

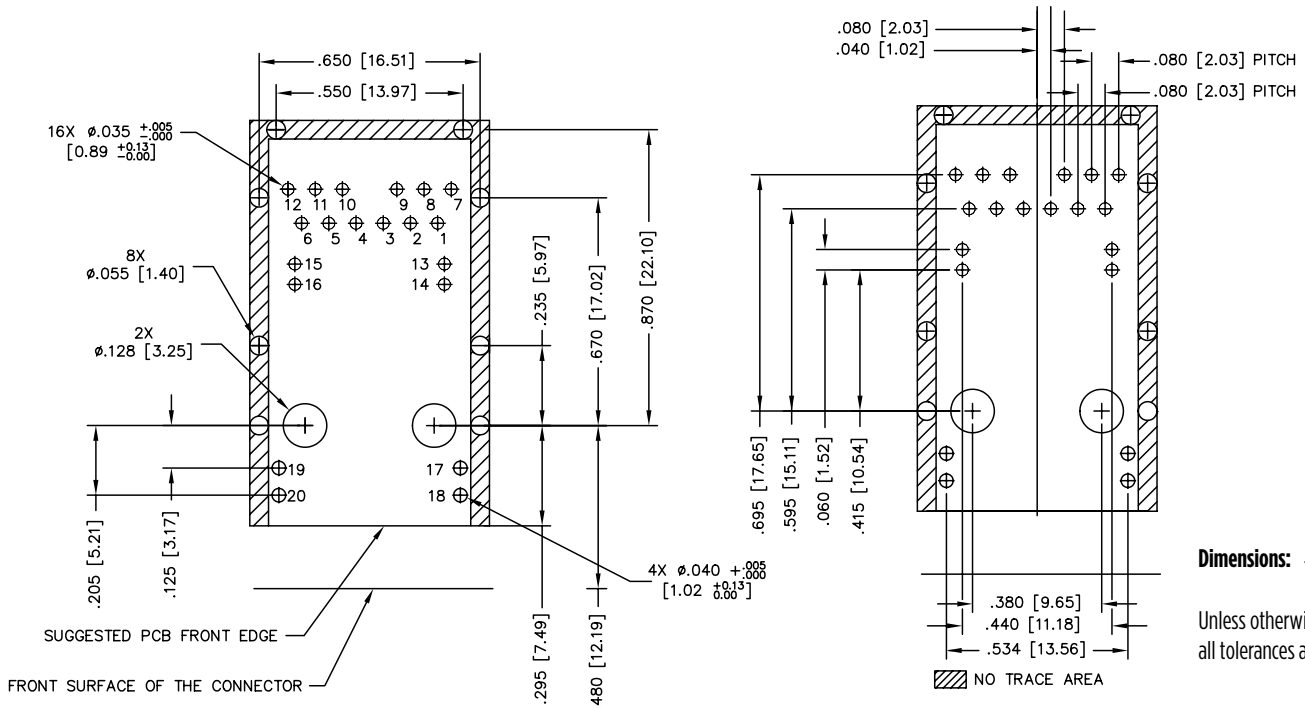


Dimensions: $\frac{\text{Inches}}{\text{mm}}$

Unless otherwise specified, all tolerances are $\pm \frac{0.10}{0.25}$

RECOMMENDED FOOTPRINT

JXT7-1139NL, JXT7-1140NL



Dimensions: $\frac{\text{Inches}}{\text{mm}}$

Unless otherwise specified, all tolerances are $\pm \frac{0.10}{0.25}$

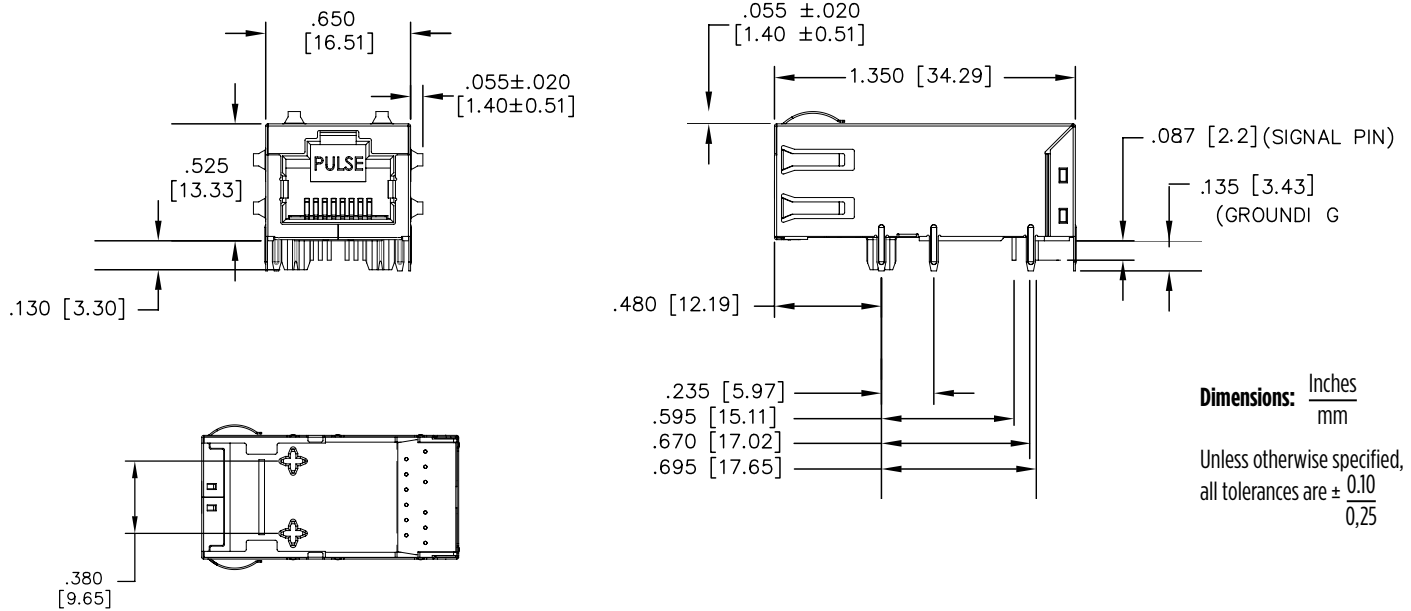
10G PulseJack™ Integrated Connectors

Rugged design for industrial and outdoor use



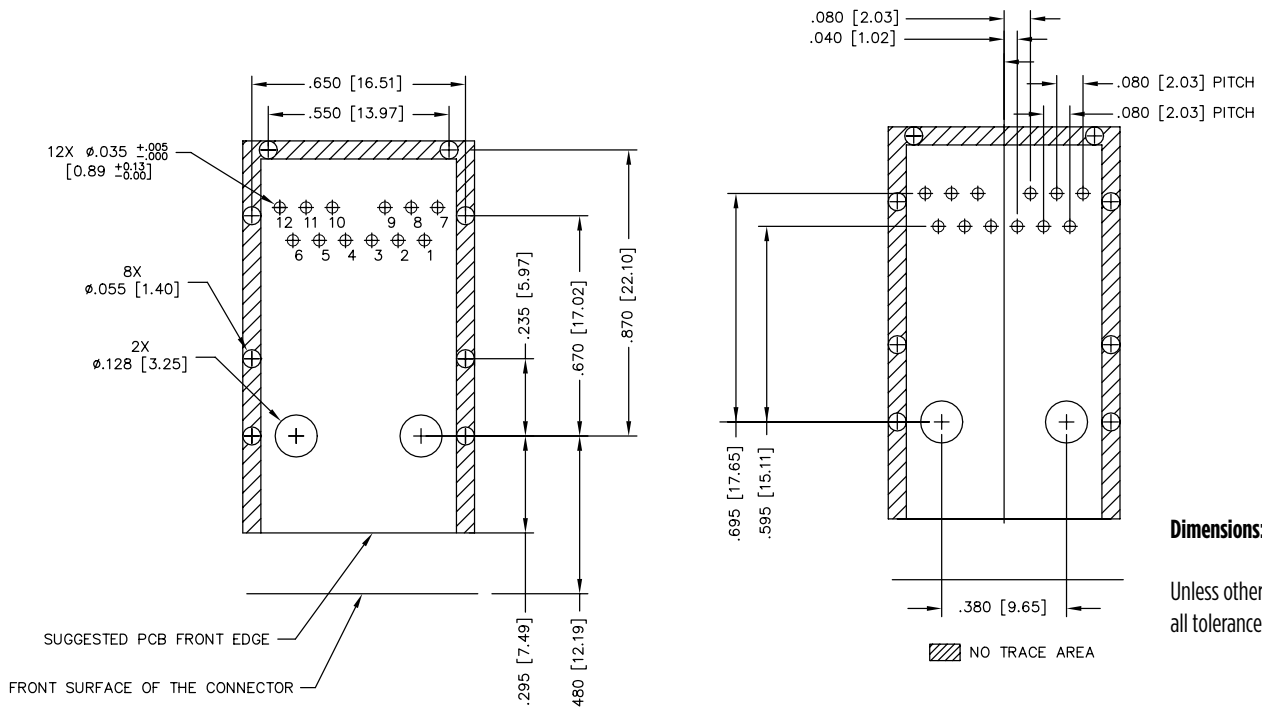
MECHANICALS

JXT7-1123NL



RECOMMENDED FOOTPRINT

JXT7-1123NL



10G PulseJack™ Integrated Connectors

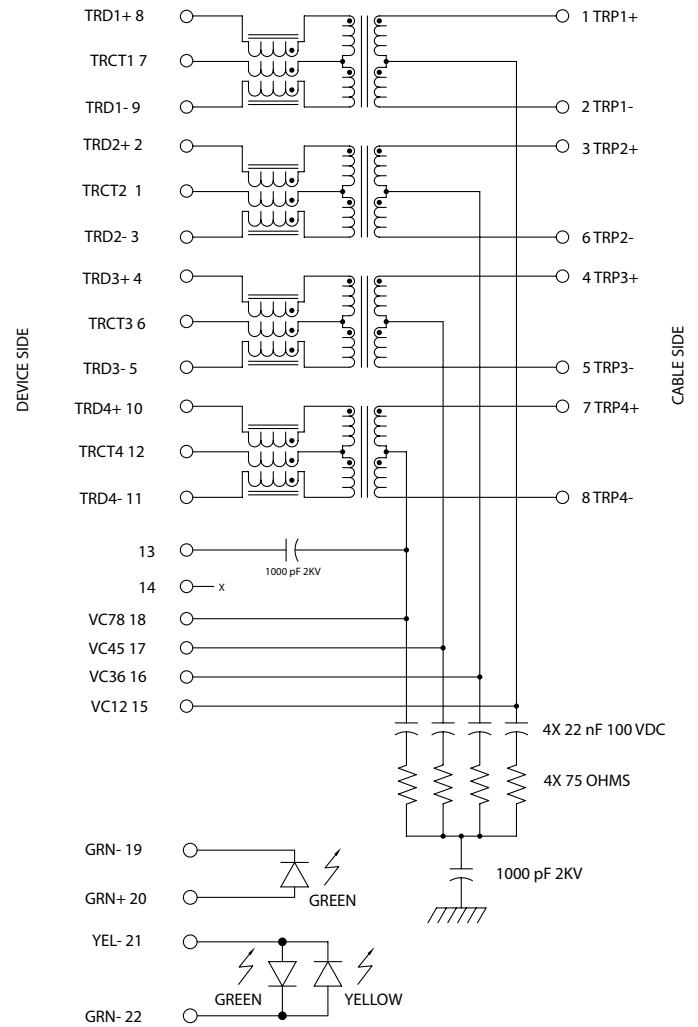
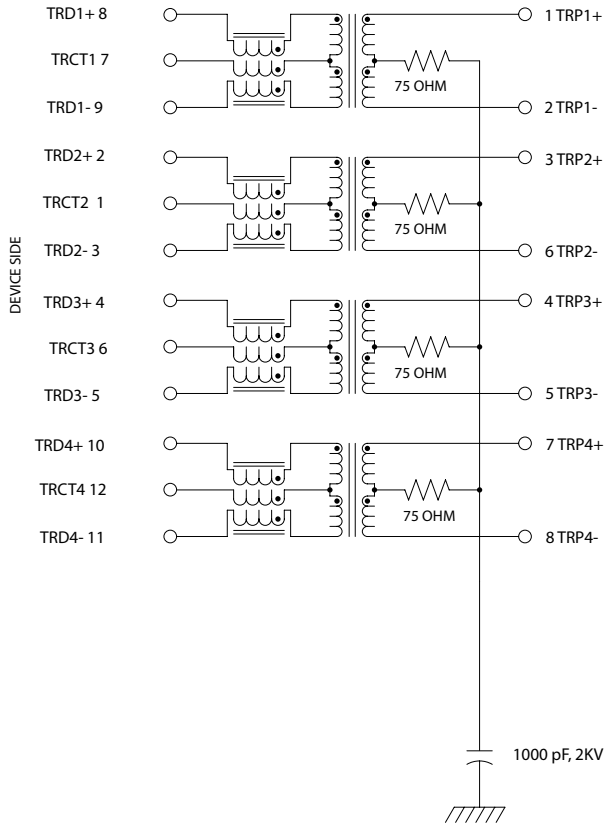
Rugged design for industrial and outdoor use



SCHEMATICS

JXD0-9015/19NL

JXD0-9015/19NL

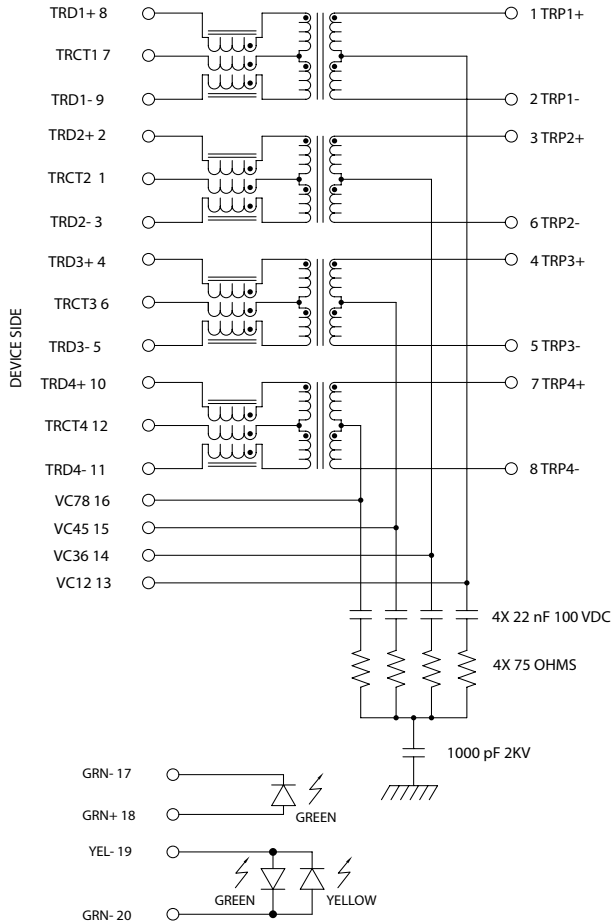


10G PulseJack™ Integrated Connectors

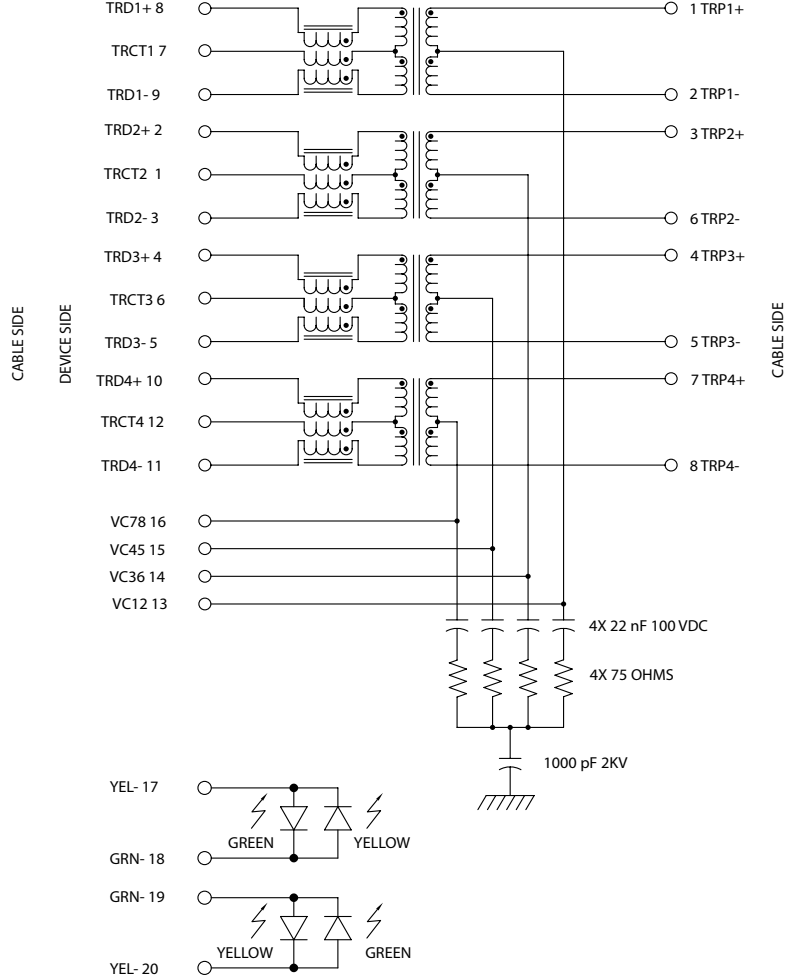
Rugged design for industrial and outdoor use

SCHEMATICS

JXT7-1139NL



JXT7-1140NL



For More Information:

Americas - prodinfinetworkamericas@yageo.com | Europe - prodinfinetworkemea@yageo.com | Asia - prodinfinetworkapac@yageo.com

Performance warranty of products offered on this data sheet is limited to the parameters specified. Data is subject to change without notice. Other brand and product names mentioned herein may be trademarks or registered trademarks of their respective owners. © Copyright, 2022. Pulse Electronics, Inc. All rights reserved.