



Features:

- 758-896 MHz
- FirstNet Band 14 compliant
- Omnidirectional antenna
- 5/8 over 1/2 λ
- Polarization: Vertical
- Gain: 5 dBi
- Antenna length: 360 mm.
- Cable length: 14 ft.

Applications:

- Vehicular glass mount
- Public safety
- First responders
- RoHS compliant

All dimensions are in mm / inches

Issue: 1815

In the effort to improve our products, we reserve the right to make changes judged to be necessary.

CONFIDENTIAL AND PROPRIETARY INFORMATION

This document contains confidential and proprietary information of Pulse Electronics, Inc. (Pulse) and is protected by copyright, trade secret and other state and federal laws. Its receipt or possession does not convey any rights to reproduce, disclose its contents, or to manufacture, use or sell anything it may describe. Reproduction, disclosure or use without specific written authorization of Pulse is strictly forbidden.

For more information:

Pulse Worldwide Headquarters
15255 Innovation Drive #100
San Diego, CA 92128
USA
Tel: 1-858-674-8100

Pulse/Larsen Antennas
18110 SE 34th St Bldg 2 Suite 250
Vancouver, WA 98683
USA
Tel: 1-360-944-7551

Europe Headquarters
Pulse GmbH & Do, KG
Zeppelinstrasse 15
Herrenberg, Germany
Tel: 49 7032 7806 0

Pulse (Suzhou) Wireless Products Co, Inc.
99 Huo Ju Road(#29 Bldg,4th Phase
Suzhou New District
Jiangsu Province, Suzhou 215009 PR China
Tel: 86 512 6807 9998



Description: Exterior 5dBi Glass Mount
Dipole 758-896MHz**PART NUMBER:** KG3E770**Series:** GLS**ELECTRICAL SPECIFICATIONS**

Antenna Type	Glass Mount Dipole
Frequency	758-896 MHz
Nominal Impedance	50 Ω
VSWR	2:1
Radiation Pattern	Omnidirectional
Gain	5 dBi
Polarization	Vertical

MECHANICAL SPECIFICATIONS

Overall Length	360 mm
Weight	225 g
Antenna Color / Material	Black / PC/PET
Connector type	No connector
Cable type	RG-58
Cable length	14 feet / 4267 mm

ENVIRONMENTAL SPECIFICATIONS

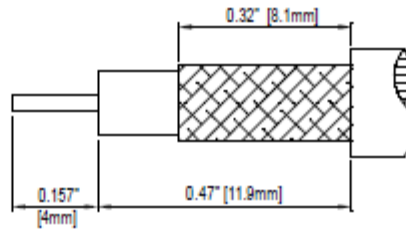
Operating Temperature	-40 to +85 ° C
RoHS Compliant	Yes

Description: Exterior 5dBi Glass Mount Dipole 758-896MHz

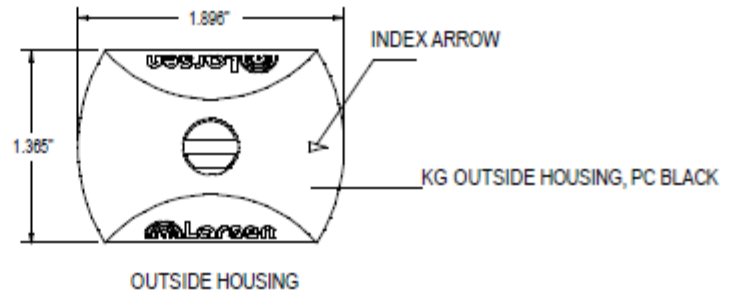
PART NUMBER: KG3E770

Series: GLS

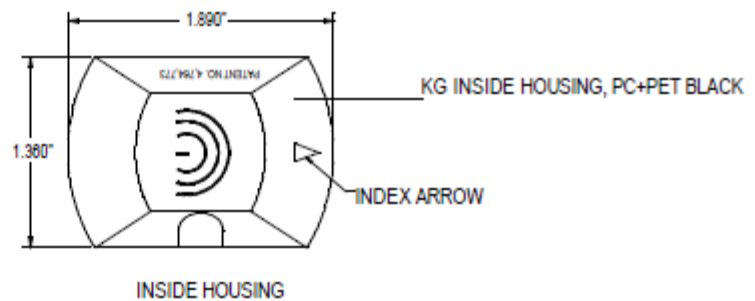
MECHANICAL DRAWING



TNC MALE CRIMP CONNECTOR
RECOMMENDED CABLE STRIPPING DIMS



OUTSIDE HOUSING



INSIDE HOUSING

Issue: 1815

In the effort to improve our products, we reserve the right to make changes judged to be necessary.

CONFIDENTIAL AND PROPRIETARY INFORMATION

This document contains confidential and proprietary information of Pulse Electronics, Inc. (Pulse) and is protected by copyright, trade secret and other state and federal laws. Its receipt or possession does not convey any rights to reproduce, disclose its contents, or to manufacture, use or sell anything it may describe. Reproduction, disclosure or use without specific written authorization of Pulse is strictly forbidden.

Description: Exterior 5dBi Glass Mount
Dipole 758-896MHz

PART NUMBER: KG3E770

Series: GLS

TEST SETUP



Issue: 1815

In the effort to improve our products, we reserve the right to make changes judged to be necessary.

CONFIDENTIAL AND PROPRIETARY INFORMATION

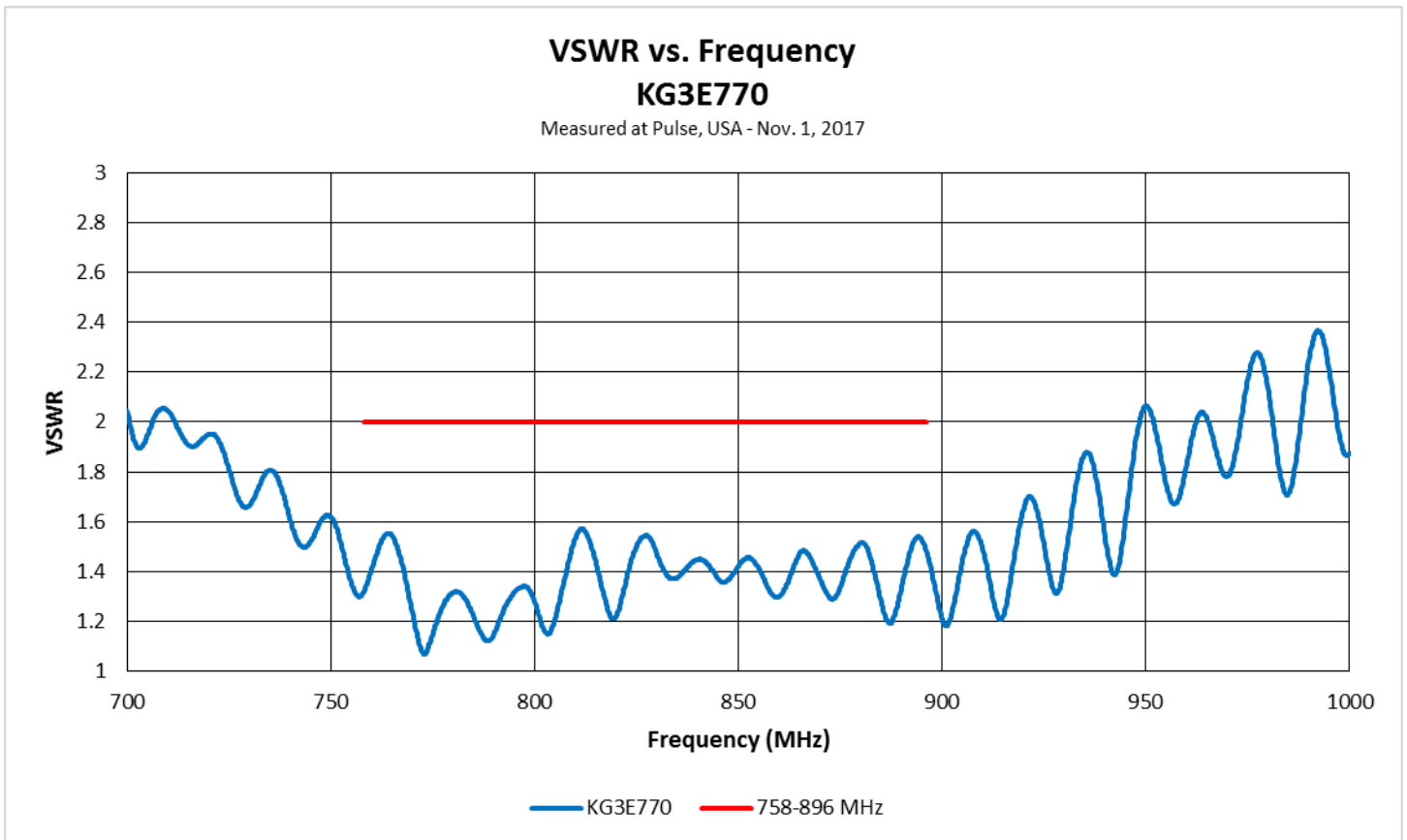
This document contains confidential and proprietary information of Pulse Electronics, Inc. (Pulse) and is protected by copyright, trade secret and other state and federal laws. Its receipt or possession does not convey any rights to reproduce, disclose its contents, or to manufacture, use or sell anything it may describe. Reproduction, disclosure or use without specific written authorization of Pulse is strictly forbidden.

Description: Exterior 5dBi Glass Mount
Dipole 758-896MHz

PART NUMBER: KG3E770

Series: GLS

CHARTS



Issue: 1815

In the effort to improve our products, we reserve the right to make changes judged to be necessary.

CONFIDENTIAL AND PROPRIETARY INFORMATION

This document contains confidential and proprietary information of Pulse Electronics, Inc. (Pulse) and is protected by copyright, trade secret and other state and federal laws. Its receipt or possession does not convey any rights to reproduce, disclose its contents, or to manufacture, use or sell anything it may describe. Reproduction, disclosure or use without specific written authorization of Pulse is strictly forbidden.

Description: Exterior 5dBi Glass Mount Dipole 758-896MHz

PART NUMBER: KG3E770

Series: GLS

PACKAGING

1 plastic bag containing:

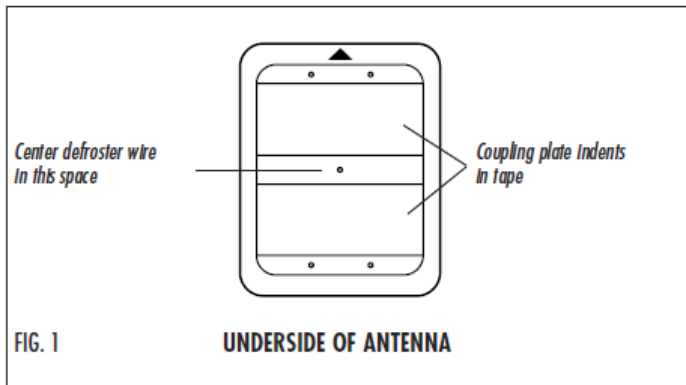
- 1 antenna
- 1 adhesive enhancer
- 2 alcohol wipes
- 1 wrench
- 1 TNC crimp kit

1 label on plastic bag with part number, date code.

ASSEMBLY

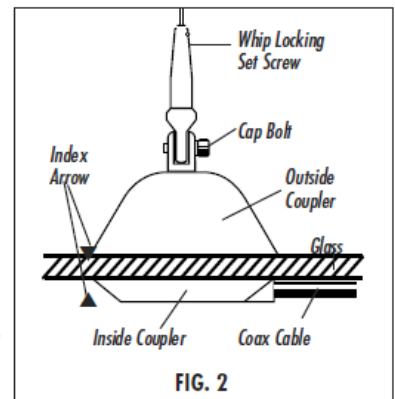
PRE-INSTALLATION TIPS

- Do not install KG2/70 on front windshield as glass is too thick.
- Avoid installing antenna on curved glass.
- Do not install on glass with metallic content (passivated glass i.e. "solar-coat," "solar-cool"). Check with auto manufacturer.
- Do not mount antenna on any dark tinted area or on an area where an aftermarket tinting film has been applied.
- Do not install over in-glass AM/FM dipole antenna.
- To install antenna over defroster wires, the wires must be spaced at least one inch or more apart. Center the antenna over one wire, allowing it to pass between the horizontal coupling plate (see Fig. 1).
- Clean glass with water and a mild detergent if needed. Do not use ammonia-based or similar type of glass cleaner.



INSTALLATION

1. Vehicle glass should be near room temperature (70° F / 21° C) for installation.
2. Clean both inside and outside mounting areas with enclosed alcohol pad. Wipe off excess alcohol (do not allow alcohol to dry on the glass). If window film is apparent, use a mildly abrasive detergent-type cleanser.
3. Prepare outside mounting area by swabbing with enclosed liquid adhesion "enhancer." Allow enhancer to dry completely before applying outside coupler.
4. Peel protective liner from adhesive tape on the outside coupler. With the index arrow pointing up, mount the outside coupler starting at the top and rolling downward. From the inside of the window, observe whether the adhesive is making contact with edges and corners. Press firmly on all corners and in the center to ensure maximum contact. If the adhesive is not making contact, apply additional pressure where needed. Seal may be enhanced with a bead of clear silicone sealant. **Note:** 100% contact is not always possible with curved glass.
5. Remove protective liner from adhesive tape on inside coupler. With the index arrow pointing up, mount the inside coupler opposite of outside coupler.
6. Route coax to the radio/phone. (Except KGB.)
7. Position swing arm and whip to the vertical position and tighten cap bolt at swing arm/coupler connection. (For best results, do not install whip or expose to water for 24-72 hours.)



Issue: 1815

In the effort to improve our products, we reserve the right to make changes judged to be necessary.

CONFIDENTIAL AND PROPRIETARY INFORMATION

This document contains confidential and proprietary information of Pulse Electronics, Inc. (Pulse) and is protected by copyright, trade secret and other state and federal laws. Its receipt or possession does not convey any rights to reproduce, disclose its contents, or to manufacture, use or sell anything it may describe. Reproduction, disclosure or use without specific written authorization of Pulse is strictly forbidden.