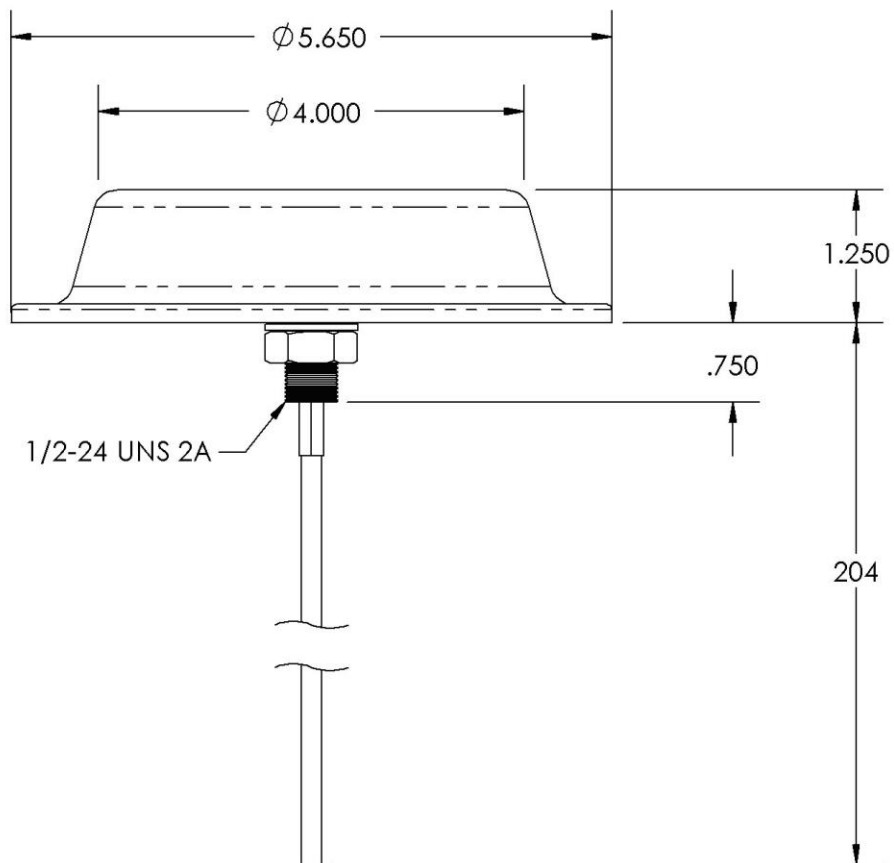
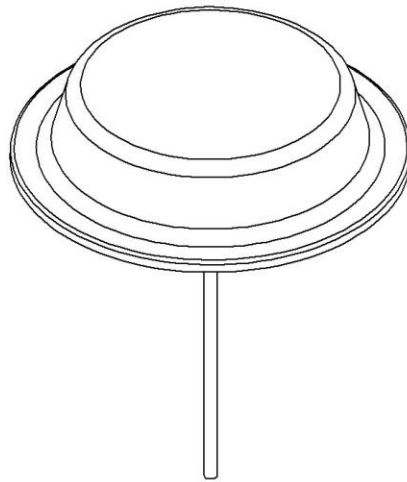


**LOW PROFILE**

**806-960 MHz**

**LP800**

Series : **ANTENNA**



All dimensions are inches

Issue : 0716

In the effort to improve our products, we reserve the right to make changes judged to be necessary.



**LOW PROFILE**

**806-960 MHz**

**LP800**

Series : **ANTENNA**

**ELECTRICAL SPECIFICATIONS**

Frequency :.....	<b>806 - 960 MHz</b>
VSWR :.....	<b>2.0:1</b> or less
Type :	<b>Low Profile</b>
Gain :.....	<b>Unity / 2.14 dBi</b>
Bandwidth @ 1.5	<b>90 MHz</b>
Bandwidth @ 2.0	<b>160 MHz</b>
Power withstanding :.....	<b>100 W</b>

**MECHANICAL CHARACTERISTICS**

Plastic radome : .....	<b>MackroBlend ® Polymer Resin</b>
Color : .....	<b>Black</b>
Base Size : .....	<b>5.65 inches</b>
Max Height .....	<b>1.25 inches</b>
Coax	<b>17' RG58/U Dual Shield</b>
Mounting	<b>Direct Feed 1/2" Hole</b>
Connector	<b>Requires Separate Order</b>