

High Frequency Wire Wound Transformers

EE13 Platforms THT Type - PA2718NL



- Ⓢ AC/DC and DC/DC Switching Transformers
- Ⓢ Reinforced Insulation
- Ⓢ 3000Vrms Hi-Pot
- Ⓢ Topology: Flyback
- Ⓢ Custom Design Available

Electrical Specifications @ 25°C — Operating Temperature -40°C to 130°C 1

PA2718NL	Pri. Inductance	(5 - 1)	1.74 mH ± 10%		<p>CM - FLYBACK TRANSFORMER</p>
	Lk. Inductance w/	(5 - 1) (7 - 8)	98 μH MAX shorted		
	DCR	(5 - 1) (7 - 8)	5200	m Ω Max	
			24		
	Hi-Pot	Pri-Sec	3000 Vrms		
	K1 Factor	7505			

- Notes:
- The temperature of the component (ambient plus temperature rise) must be within the stated operating temperature range.
 - For flyback topology applications, it is necessary to ensure that the transformer will not saturate in the application. The peak flux density (Bpk) should remain below 2700Gauss. To calculate the peak flux density use the following formula:

$$B_{pk} \text{ (Gauss)} = K1_Factor * I_{pk}(A)$$
 - In high volt-μsec applications, it is important to calculate the core loss of the transformer. Approximate transformer core loss can be calculated as:

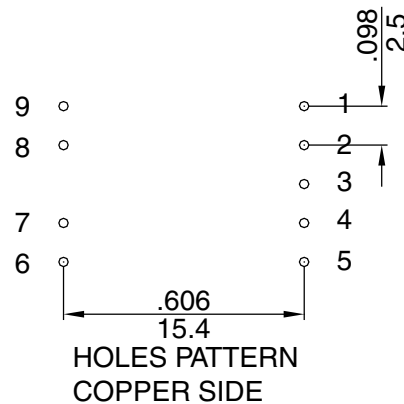
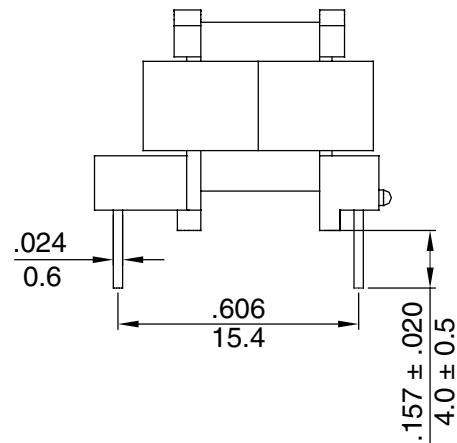
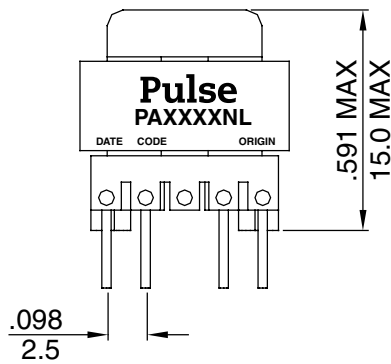
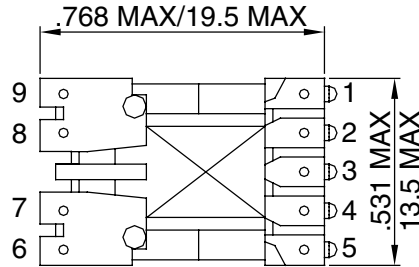
$$CoreLoss \text{ (W)} = 2.58E-13 \times (Freq_kHz)^{1.35} \times (DB_Gauss)^{2.80}$$
 where DB can be calculated as:
 For Flyback Topology: $DB = K1_Factor * D(A)$
 For Forward Topology: $DB = K1_Factor * Volt-\mu sec$
 - The “NL” suffix indicates an RoHS-compliant part number. Non-NL suffixed parts are not necessarily RoHS compliant, but are electrically and mechanically equivalent to NL versions. If a part number does not have the “NL” suffix, but an RoHS compliant version is required, please contact Pulse for availability.

High Frequency Wire Wound Transformers

EE13 Platforms THT Type - PA2718NL

Mechanical

PA2718NL



For More Information:

Americas - prodinfo_power@pulseelectronics.com | Europe - power-apps-europe@pulseelectronics.com | Asia - power-apps-asia@pulseelectronics.com

Performance warranty of products offered on this data sheet is limited to the parameters specified. Data is subject to change without notice. Other brand and product names mentioned herein may be trademarks or registered trademarks of their respective owners. © Copyright, 2020. Pulse Electronics, Inc. All rights reserved.