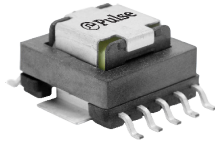


# SMT Power SENSE Transformers

PB002XNL Series



- Height:** 10mm Max
- Footprint:** 19.9mm x 14.5mm Max
- Frequency Range:** 20kHz to 500kHz
- Current Rating:** up to 35A

## Electrical Specifications @ 25°C - Operating Temperature -40°C to +125°C

Part Number	Turns Ratio	Secondary Inductance (mH MIN)	DCR (mΩ MAX)		Hipot (V <sub>dc</sub> )
			Primary (11-12)	Secondary (2-4)	
PB0025NL	50:1	1.4	0.42	700	1000
PB0026NL	100:1	5.6	0.42	1400	1000
PB0027NL	200:1	22.4	0.42	2900	1000

### Notes:

- The temperature of the component (ambient temperature plus temperature rise) must be within the specified operating temperature range.
- The maximum current rating is based upon temperature rise of the component and represents the DC current which will cause a typical temperature rise of 40°C with no airflow.
- To calculate the value of the terminating resistor (RT) use the following formula:  

$$R_T (\Omega) = V_{REF} * N / (I_{peak\_primary})$$
- The peak flux density of the device must remain below 2000 Gauss. To calculate the peak flux density for uni-polar current use following formula:  

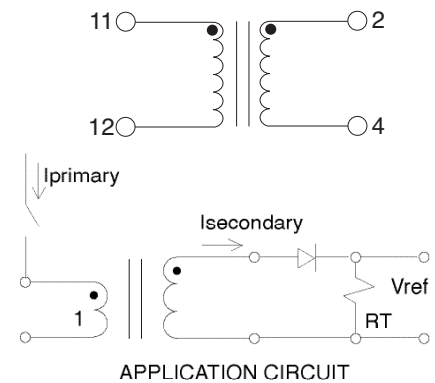
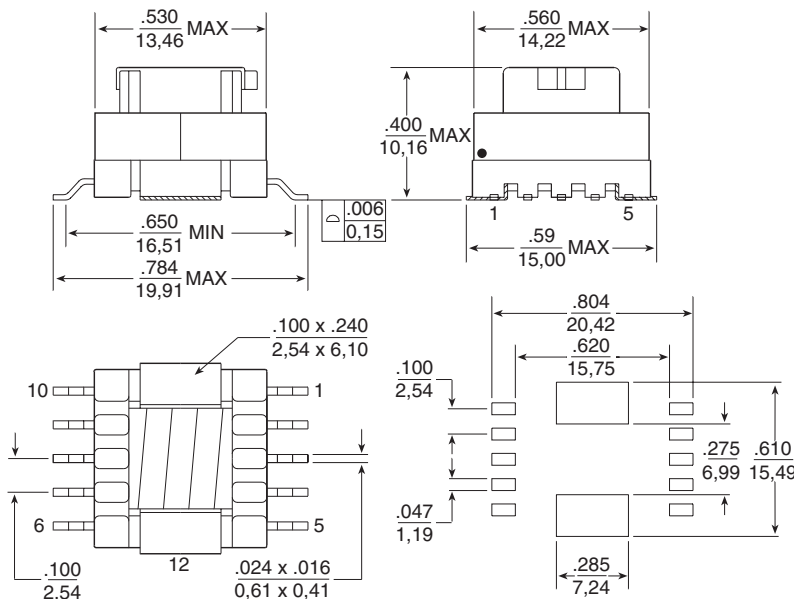
$$BPK = 8.06 * V_{REF} * (Duty\_Cycle\_Max) * 105 / (N * Freq\_kHz)$$

\* for bi-polar current applications divide BPK (as calculated above) by 2.
- Optional Tape & Packaging can be ordered by adding a "T" suffix to the part number (i.e. PA0368.050NL becomes PA0368.050NLT). Pulse complies to the industry standard tape and reel specification EIA481.
- The "NL" suffix indicates an RoHS-compliant part number. Non-NL suffixed parts are not necessarily RoHS compliant, but are electrically and mechanically equivalent to NL versions. If a part number does not have the "NL" suffix, but an RoHS compliant version is required, please contact Pulse for availability.

## Mechanical

## Schematic

### PB002XNL

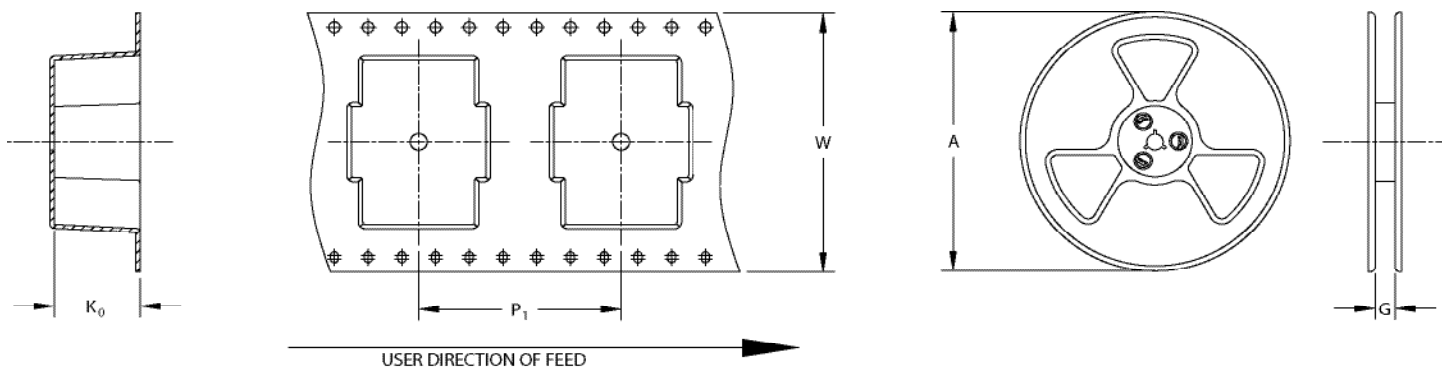


**Weight** .....4.7grams  
**Tape & Reel** .....200/reel  
**Tray** .....70/tray  
**Dimensions:** Inches  
 mm  
 Unless otherwise specified,  
 all tolerances are: ±0,25

# SMT Power SENSE Transformers

PB002XNL Series

## TAPE & REEL INFO



### SURFACE MOUNTING TYPE, REEL/TAPE LIST

PART NUMBER	REEL SIZE (mm)		TAPE SIZE (mm)			QTY
	A	G	P <sub>1</sub>	W	K <sub>0</sub>	PCS/REEL
PB002XNLT	Ø330	32.4	24	32	10.16	200

### For More Information:

Americas - [prodinfo\\_power\\_americas@yageo.com](mailto:prodinfo_power_americas@yageo.com) | Europe - [prodinfo\\_power\\_emea@yageo.com](mailto:prodinfo_power_emea@yageo.com) | Asia - [prodinfo\\_power\\_asia@yageo.com](mailto:prodinfo_power_asia@yageo.com)

Performance warranty of products offered on this data sheet is limited to the parameters specified. Data is subject to change without notice. Other brand and product names mentioned herein may be trademarks or registered trademarks of their respective owners. © Copyright, 2023. Pulse Electronics, Inc. All rights reserved.