









Directional DAS Series 4-port 2xMiMo 4G/5G Antenna

PD617-6000M443



Features & Applications:

-  4G / 5G-FR1 617-6000MHz
-  2-Port MiMo Low/mid -bands 617-960 / 1695-2700MHz
-  2-Port MiMo High -bands 3300-4000 / 4800-6000MHz
-  In-building wall mount
-  Directional radiation pattern
-  Low PIM and SAR compliant
-  Connector 4.3-10-Female as standard
-  For N-Female connector use P/N: PD617-6000M4NF

ELECTRICAL SPECIFICATIONS

PD617-6000M443

| | | LB 2-ports | | HB 2-ports | |
|---------------------|------------|--|-----------|------------|-----------|
| Frequency range | MHz | 617-960 | 1695-2700 | 3300-4000 | 4800-6000 |
| Gain | dBi | 6.5±1 | 7.0±1 | 10.5±1 | 10.5±1 |
| Polarization | | +/-45deg slant | | | |
| Beam width | Horizontal | 80 | 75 | 60 | 60 |
| | Vertical | 70 | 60 | 35 | 35 |
| VSWR | | ≤1.7 | ≤1.5 | ≤1.7 | ≤1.7 |
| Front-to-back ratio | dB | 15 | 20 | 25 | 20 |
| Isolation | dB | >20 | >23 | >23 | >23 |
| PIM,3rd order,2x20W | dBc | ≤-153 | | | N/A |
| Max. input power | W | 100 | | | |
| Impedance | Ohm | 50 | | | |
| SAR compliance | | Compliant based on whole-body SAR limit RF Exposure calculation (CEI EN 50383) | | | |

MECHANICAL SPECIFICATIONS

PD617-6000M443

| Dimension (W x L x H) | Housing Material | Color | Weight with mounting kit | Mounting Kit | |
|--|----------------------|------------------|--------------------------|--------------------------|--|
| 308 x 420 x 82 mm (12.13 x 16.54 x 3.23 inch) | ABS, UV Protected | White RAL9003 | 1.6 kg (3.527 lbs) | Wall mount (standard) | |
| Wireless Technology | No. of Port | Cable Length | Cable Type | Connector Type | |
| 4G,5G FR1 | 4 | 1Ft (0.3m) | Ø 0.160" low loss | 4.3-10-Female | |

ENVIRONMENTAL SPECIFICATIONS

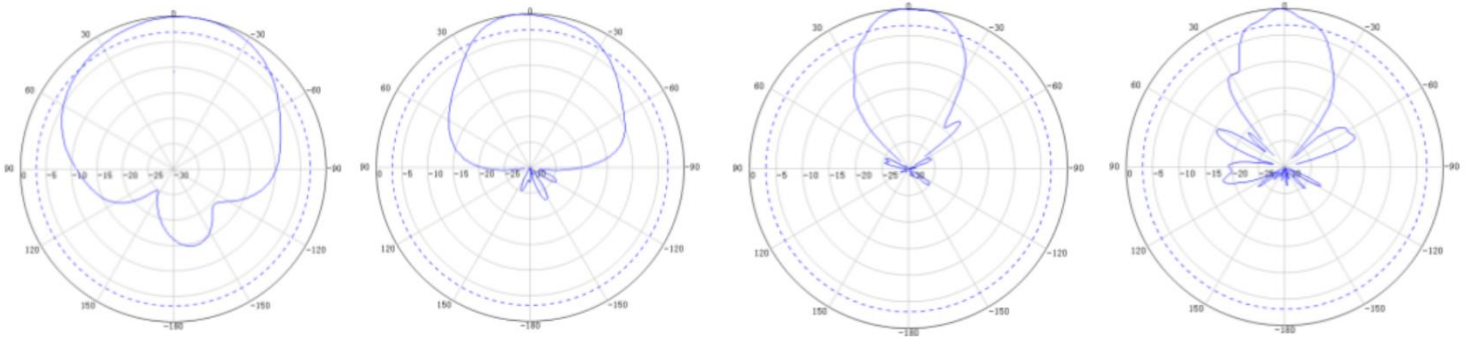
PD617-6000M443

| Operating Temperature | Storage Temperature | RoHS Compliant | Ingress Protection | Warranty |
|-----------------------|---------------------|----------------|--------------------|----------|
| -55 / +60° C | -55 / +60° C | Yes | IP50 | 2 years |

Radiation Pattern –Vertical and Horizontal Plane

PD617-6000M443

Vertical



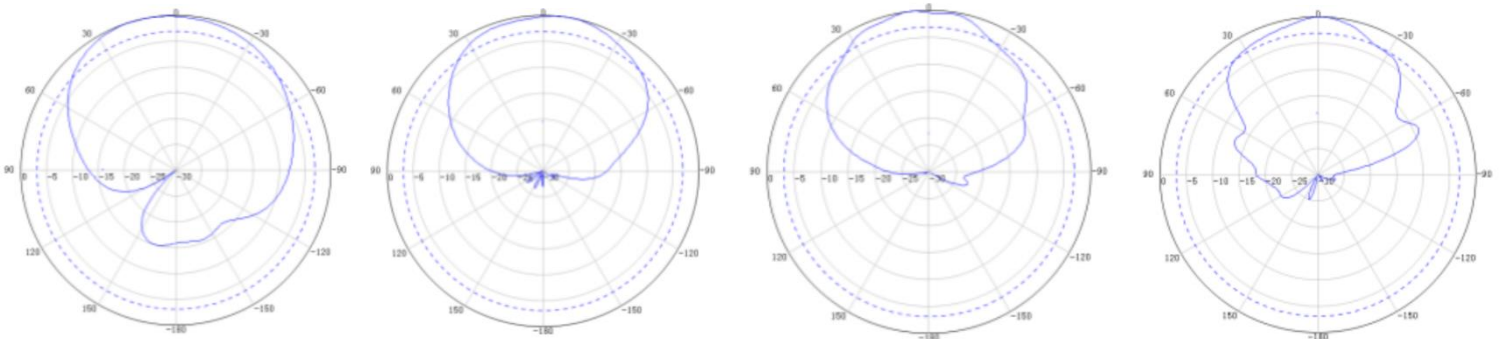
800MHz

1800MHz

3500MHz

5300MHz

Horizontal



800MHz

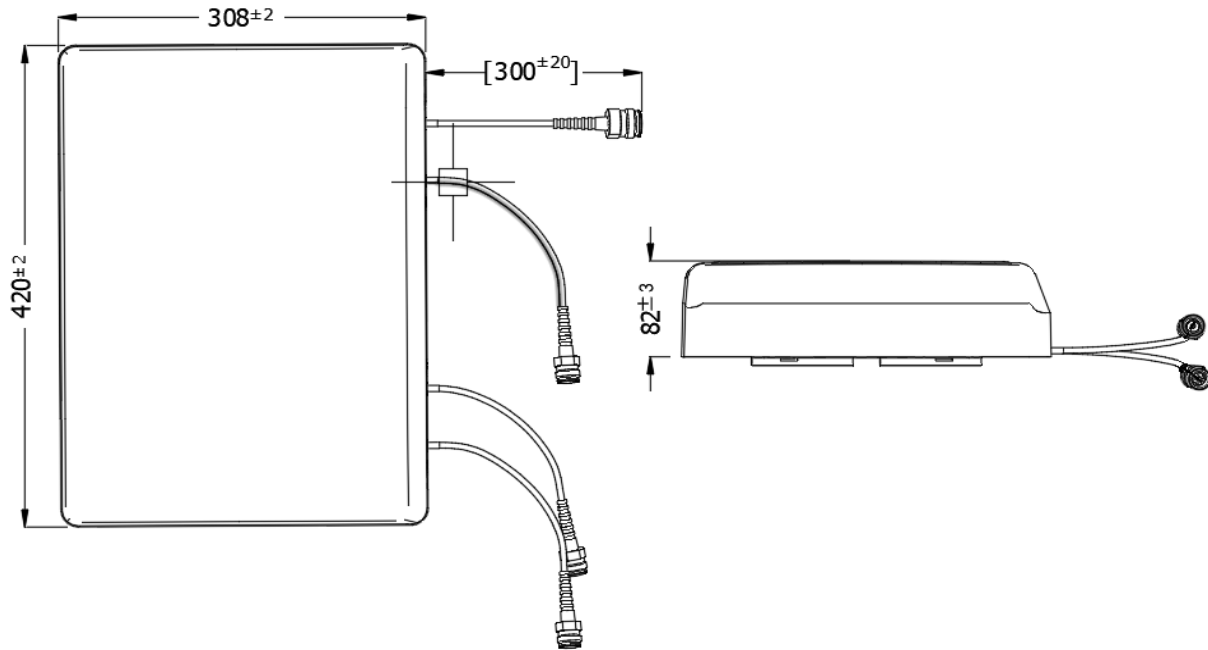
1800MHz

3500MHz

5300MHz

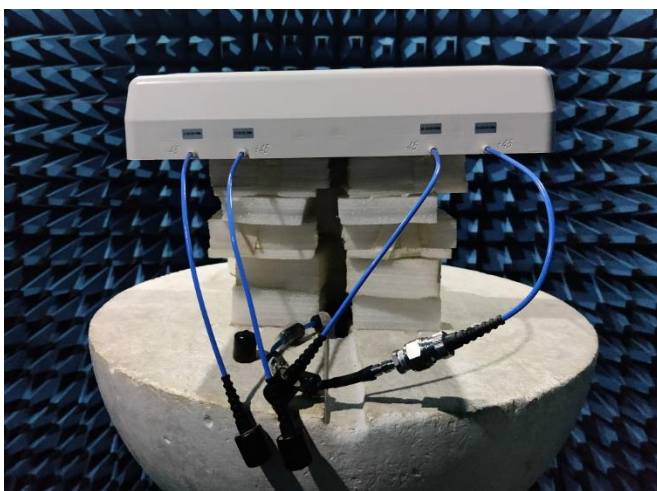
Mechanical Drawing

PD617-6000M443



Test Setup – Port naming

General / Chamber Setup



Directional DAS Series 4-port 2xMiMo 4G/5G Antenna

PD617-6000M443

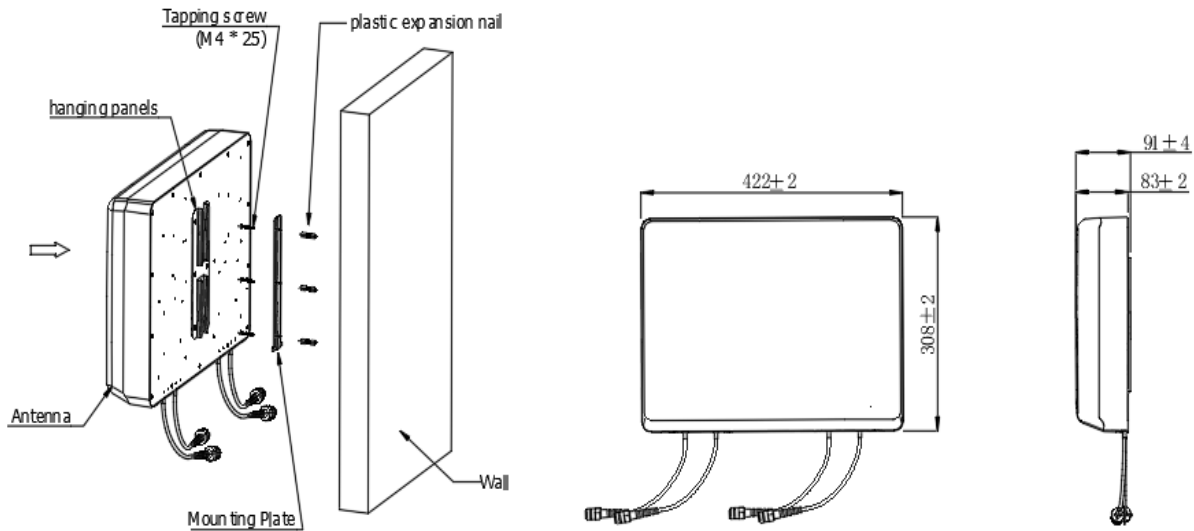
PACKAGING

PD617-6000M443

1. Inner box: 475*415*155mm;
2. Outer box size: 815*485*450mm;
3. 5Pcs/Carton;

Installation instructions

PD617-6000M443



- ① Make four (M6*25) holes in the wall.
- ② Put the plastic expansion nail into the hole.
- ③ Attach the mounting plate to the wall with self-tapping screws (M4 * 25) and tighten.
- ④ Buckle the antenna back plate onto the wall mounting plate.

Notes:

1. Please contact sales for availability, lead time, and/or any special requests. Samples available upon request.

For More Information:

Americas - antennas.us@pulseelectronics.com | Europe - antennas.eu@pulseelectronics.com | Asia - antennas.as@pulseelectronics.com | Questions? +1-800-ANTENNA
Performance warranty of products offered on this data sheet is limited to the parameters specified. Data is subject to change without notice. Other brand and product names mentioned herein may be trademarks or registered trademarks of their respective owners. © Copyright , 2020. Pulse Electronics, Inc. All rights reserved.
Company address: Pulse Electronics, a YAGEO Company, 15255 Innovation Drive, Suite #100, San Diego, CA 92128