

## Description: RO Mounting Hardware

Series: Kit

**PART NUMBER: ROKIT**

### Features:

- Material: ADC12
- Pole diameter: 1-2.12" (25.4-54mm)
- Weight 231.4 g

### Applications:

- Radome Omni antenna pole mounting accessory kit



All dimensions are in mm / inches

Issue:1928

In the effort to improve our products, we reserve the right to make changes judged to be necessary.

CONFIDENTIAL AND PROPRIETARY INFORMATION

This document contains confidential and proprietary information of Pulse Electronics, Inc. (Pulse) and is protected by copyright, trade secret and other state and federal laws. Its receipt or possession does not convey any rights to reproduce, disclose its contents, or to manufacture, use or sell anything it may describe. Reproduction, disclosure or use without specific written authorization of Pulse is strictly forbidden.

For more information:

Pulse Worldwide Headquarters  
12220 World Trade Drive  
San Diego, CA 92128  
USA  
Tel:1-858-674-8100

Pulse/Larsen Antennas  
18110 SE 34<sup>th</sup> St Bldg 2 Suite 250  
Vancouver, WA 98683  
USA  
Tel: 1-360-944-7551

Europe Headquarters  
Pulse GmbH & Do, KG  
Zeppelinstrasse 15  
Herrenberg, Germany  
Tel: 49 7032 7806 0

Pulse (Suzhou) Wireless Products Co, Inc.  
99 Huo Ju Road(#29 Bldg,4<sup>th</sup> Phase  
Suzhou New District  
Jiangsu Province, Suzhou 215009 PR China  
Tel: 86 512 6807 9998



**Description: RO Mounting Hardware**

**Series: Kit**

**PART NUMBER: ROKIT**

**MECHANICAL SPECIFICATIONS**

Weight	231.4 g
Overall Length	5.09 INCHES/129.4mm
Fixing system	° ± 2 °
Materials	Mount Bracket: Aluminum ADC12 Clamps: Stainless steel

**ENVIRONMENTAL SPECIFICATIONS**

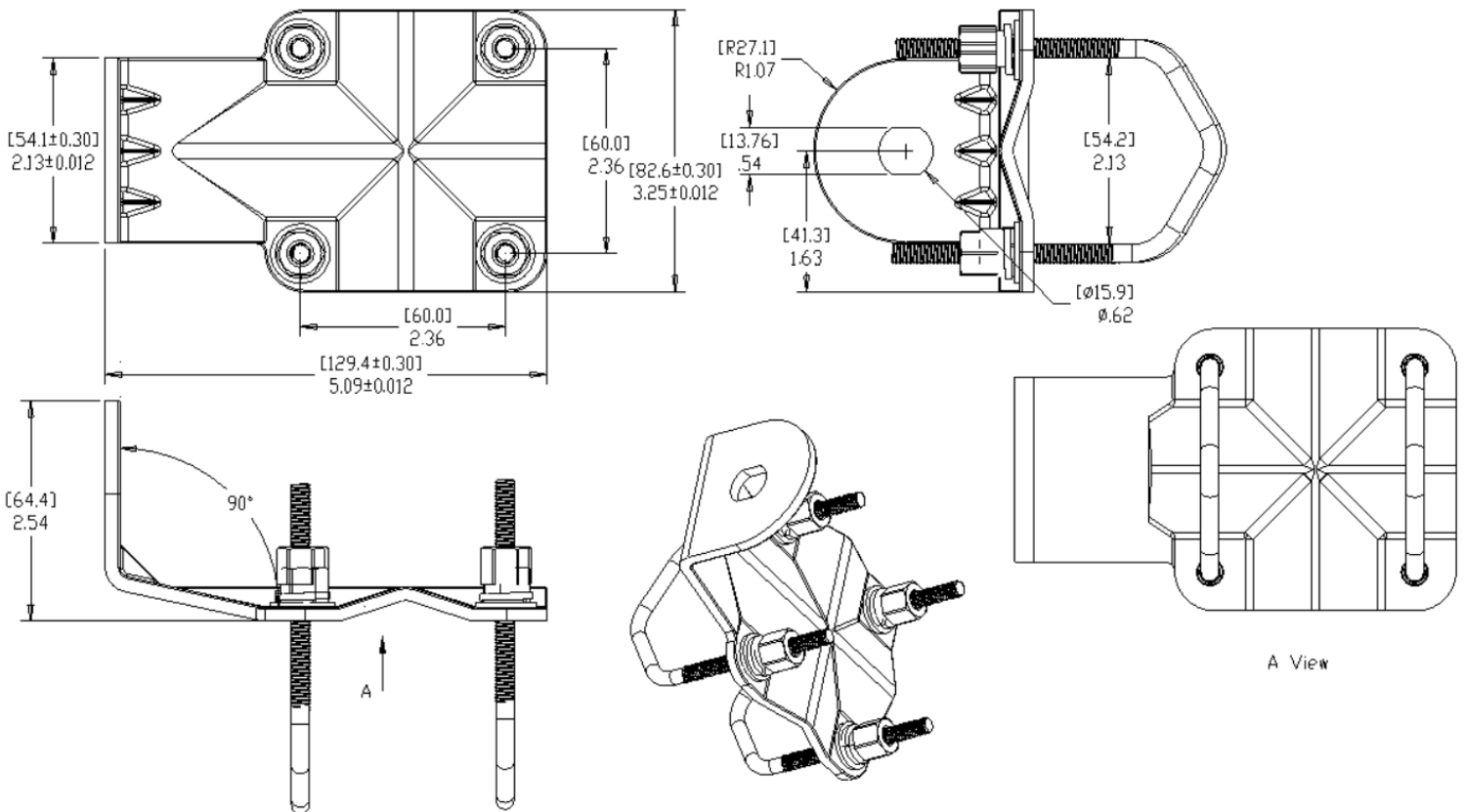
Operating temperature	-40 to +85° C
-----------------------	---------------

Description: RO Mounting Hardware

Series: Kit

PART NUMBER: ROKIT

MECHANICAL DRAWING



Issue:1928

In the effort to improve our products, we reserve the right to make changes judged to be necessary.

CONFIDENTIAL AND PROPRIETARY INFORMATION

This document contains confidential and proprietary information of Pulse Electronics, Inc. (Pulse) and is protected by copyright, trade secret and other state and federal laws. Its receipt or possession does not convey any rights to reproduce, disclose its contents, or to manufacture, use or sell anything it may describe. Reproduction, disclosure or use without specific written authorization of Pulse is strictly forbidden.

## Description: RO Mounting Hardware

Series: Kit

**PART NUMBER: ROKIT**

### PACKAGING

Pack 1 set including 1pcs Bracket, 2pcs V-Bolt, 4pcs Plate Washer, 4pcs Spring Washer, 4pcs Nut in PE bag.

56 sets in one carton box



Issue:1928

In the effort to improve our products, we reserve the right to make changes judged to be necessary.

CONFIDENTIAL AND PROPRIETARY INFORMATION

This document contains confidential and proprietary information of Pulse Electronics, Inc. (Pulse) and is protected by copyright, trade secret and other state and federal laws. Its receipt or possession does not convey any rights to reproduce, disclose its contents, or to manufacture, use or sell anything it may describe. Reproduction, disclosure or use without specific written authorization of Pulse is strictly forbidden.