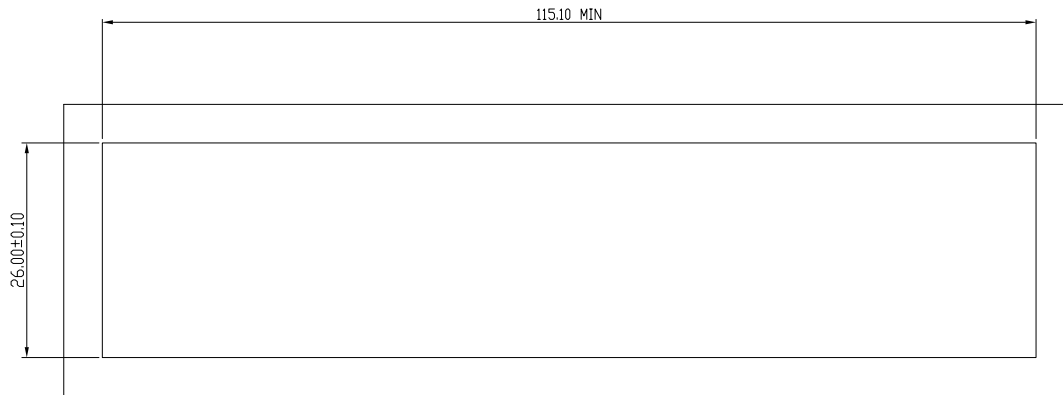


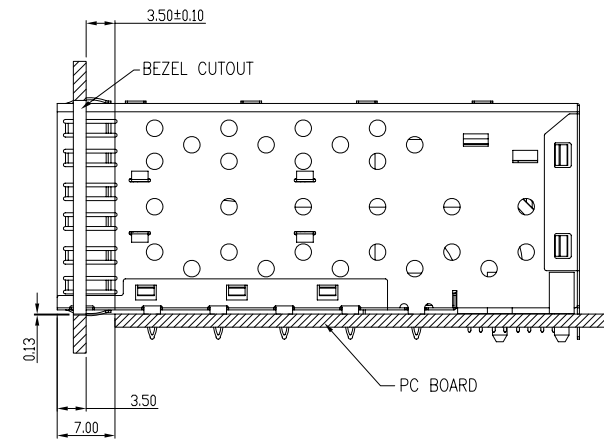
FULL RADIUS TYP. ON END OF PINS TO ASSIST ENTRY INTO PCB HOLES.

Qty Per:	TRAY	CARTON		
	3	18		
PART NUMBER	STATEMENT			
SFP032-L	INNER/OUTER LIGHT PIPES			
	INNER LIGHT PIPES			
	OUTER LIGHT PIPES			
No.	DESCRIPTION	Q'ty	MATERIAL	PLATING
01	SFP CAGE (Non-Logo)	1	COPPER ALLOY	
02	CONNECTOR	8	HIGH TEMP/COPPER ALLOY	GOLD
03	LIGHT PIPES	8	POLYCARBONITE	

DETACHED LISTS	MM (INCH)	RoHS Compliant		Pulse A TECHNITROL COMPANY	
	TOLERANCES EXCEPT AS NOTED	TITLE			
	MM	w/LIGHT PIPES			
	.0 ± 0.25 ± .00 ± 0.20 ± 0.00 ± 0.10 ±	SFP 2 by 8 CAGE+CONNECTOR_P			
	ANGLES ± 0.5	DFTD Jack	DRAWING NO. CSFP032-L	SIZE	REV
		DATE 12/02/08	/PART NO. SFP032-L	A3	1
	THIRD ANGLE PROJECTION	SCALE : 1	DO NOT SCALE DRAWING	SHEET 1	OF 4



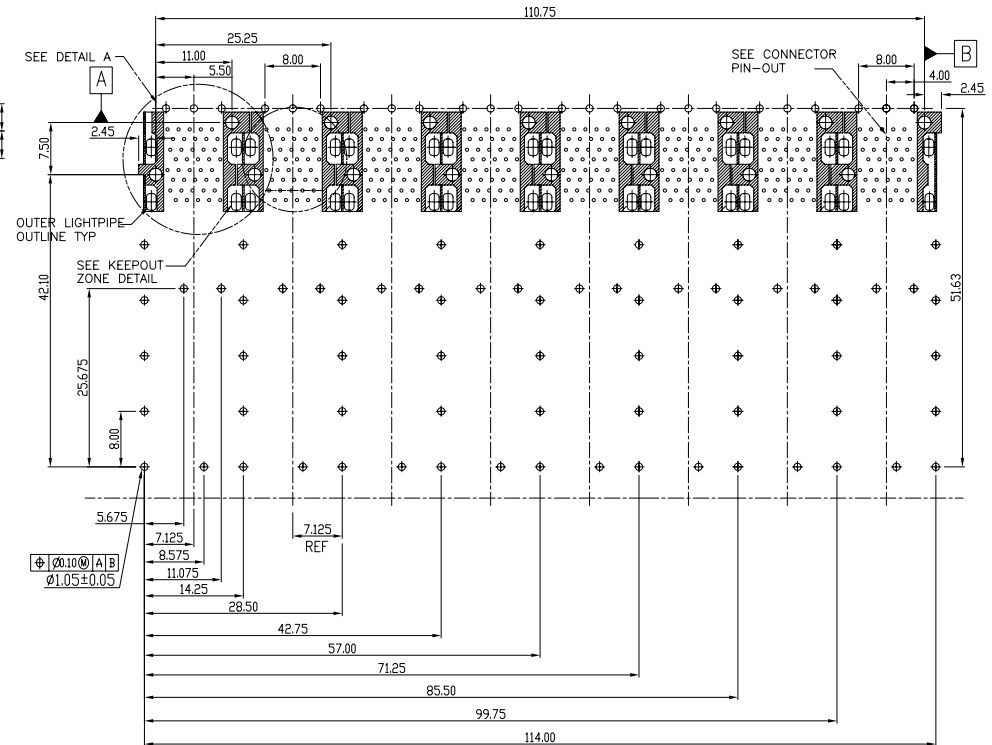
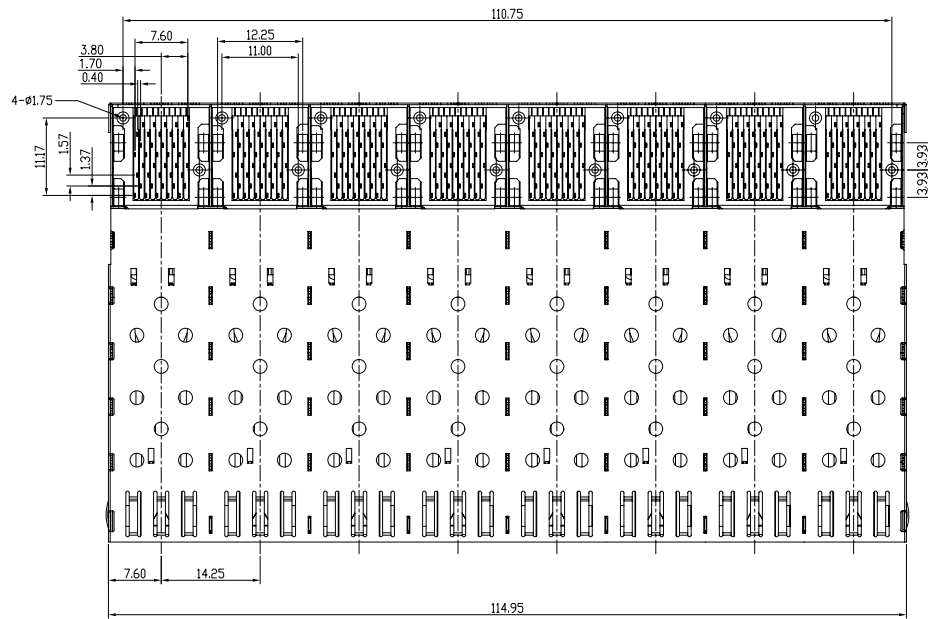
BEZEL CUT-OUT CENTER SPACING DETAIL
 BEZEL THICKNESS:0.8-2.6



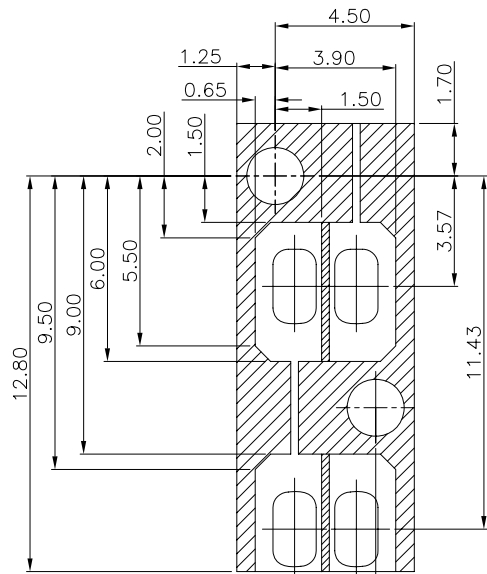
8 | 7 | 6 | 5 | 4 | 3 | 2 | 1

H
G
F
E
D
C
B
A

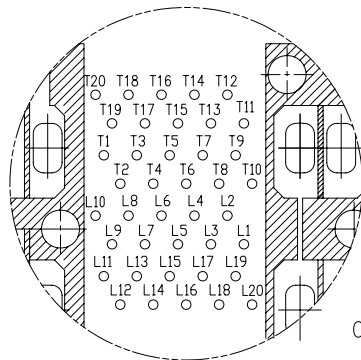
DETACHED LISTS	MM (INCH)		RoHS Compliant			
	TOLERANCES EXCEPT AS NOTED					
	MM					
	.0 ± 0.25		±			
.00 ± 0.20		±				
.000 ± 0.10		±				
ANGLES ± 0.5						
THIRD ANGLE PROJECTION						
TITLE			W/LIGHT PIPES			
SFP 2 by 8 CAGE+CONNECTOR_P						
DFTD Jack		DRAWING NO. CSFP032-L		SIZE	REV	
DATE 12/02/08'		/PART NO. SFP032-L		A3	1	
SCALE : 2:1		DO NOT SCALE DRAWING		SHEET 2	OF 4	



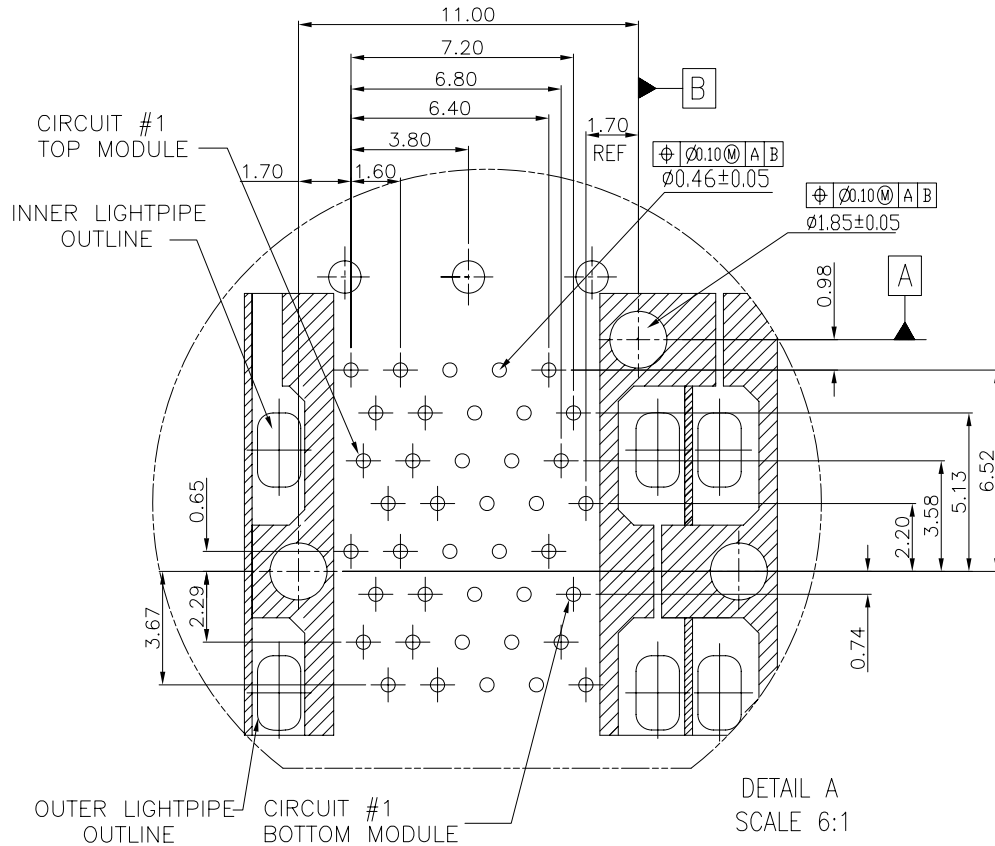
DETACHED LISTS		RoHS Compliant		
	TOLERANCES EXCEPT AS NOTED			TITLE
	MM .0 ± 0.25 ± .00 ± 0.20 ± .000 ± 0.10 ±	ANGLS ± 0.5	SFP 2 by 8 CAGE+CONNECTOR_P	
		DFTD Jack DATE 12/02/08'	DRAWING NO. CSFP032-L /PART NO. SFP032-L	SIZE A3
THIRD ANGLE PROJECTION		SCALE : 2:1	DO NOT SCALE DRAWING	SHEET 3 OF 4



KEEPOUT ZONE DETAIL
SCALE 6:1



CONNECTOR PIN-OUT
COMPONENT SIDE OF BOARD



DETAIL A
SCALE 6:1

MM (INCH)		RoHS Compliant			
TOLERANCES EXCEPT AS NOTED					
MM		INCH		TITLE	
.0 ± 0.25	±	W/LIGHT PIPES		SIZE	REV
.00 ± 0.20	±	SFP 2 by 8 CAGE+CONNECTOR_P		A3	1
.000 ± 0.10	±	SCALE : 2:1		DO NOT SCALE DRAWING	SHEET 4 OF 4
ANGLES ± 0.5					
		DFTD Jack		DRAWING NO. CSFP032-L	
THIRD ANGLE PROJECTION		DATE 12/02/08'		/PART NO. SFP032-L	