

Description: 2012 Triplexer

PART NUMBER: TPX2012LKTFR1525L

**Features:**

- Compact size
- Low loss
- High Soldering Heat Resistance

**Applications:**

- WiFi
- GPS

**ELECTRICAL SPECIFICATIONS**

**Low band**

Item	Frequency Range (MHz)	Min.	Typ.	Max.
Insertion loss (dB)	1559~1606	-	0.56	0.7
Return loss (dB)	1559~1606	10	20.4	-
Attenuation (dB)	2400~2500	18	29.09	-
	4900~5950	20	22.59	-

**Middle band**

Item	Frequency Range (MHz)	Min.	Typ.	Max.
Insertion loss (dB)	2400~2500	-	0.82	0.9
Return loss (dB)	2400~2500	10	19.1	-
Attenuation (dB)	1560~1606	25	31.3	-
	4800~5000	30	35.3	-
	7200~7500	20	29.3	-

In the effort to improve our products, we reserve the right to make changes judged to be necessary.

CONFIDENTIAL AND PROPRIETARY INFORMATION

This document contains confidential and proprietary information of Pulse Electronics, Inc. (Pulse) and is protected by copyright, trade secret and other state and federal laws. Its receipt or possession does not convey any rights to reproduce, disclose its contents, or to manufacture, use or sell anything it may describe. Reproduction, disclosure or use without specific written authorization of Pulse is strictly forbidden.

For more information:

Pulse Worldwide Headquarters  
15255 Innovation Drive #100  
San Diego, CA 92128  
USA  
Tel:1-858-674-8100

Pulse/Larsen Antennas  
18110 SE 34<sup>th</sup> St Bldg 2 Suite 250  
Vancouver, WA 98683  
USA  
Tel: 1-360-944-7551

Europe Headquarters  
Pulse GmbH & Do, KG  
Zeppelinstrasse 15  
Herrenberg, Germany  
Tel: 49 7032 7806 0

Pulse (Suzhou) Wireless Products Co, Inc.  
99 Huo Ju Road(#29 Bldg,4<sup>th</sup> Phase  
Suzhou New District  
Jiangsu Province, Suzhou 215009 PR China  
Tel: 86 512 6807 9998



Description: 2012 Triplexer

PART NUMBER: TPX2012LKTFR1525L

**ELECTRICAL SPECIFICATIONS**

**High band**

Item	Frequency Range (MHz)	Min.	Typ.	Max.
Insertion loss (dB)	4900~5100	-	0.88	1.2
	5150~5950	-	0.8	0.9
Return loss (dB)	4900~5950	10	18.4	-
Attenuation (dB)	2400~2500	32	38.7	-
	6900~7200	3	4.4	-
	7300~7800	7	7.8	-
	10300~11700	20	24	-
	15300~16200	15	17.5	-

**Common**

Item	Frequency Range (MHz)	Min.	Typ.	Max.
Return loss (dB)	1559~1606	10	20.4	-
	2400~2500	10	19.1	-
	4900~5950	10	18.4	-

**Isolation**

Item	Frequency Range (MHz)	Min.	Typ.	Max.
Low to Middle band (dB)	1559~1606	25	28	-
	2400~2500	18	28.2	-
Middle to High band (dB)	2400~2500	30	36.3	-
	5150~5950	25	32.4	-
Low to High band (dB)	1559~1606	30	42	-
	5150~5950	15	24.7	-

Operating Temperature Range : -40~85°C

Power Capacity : 3W max.

In the effort to improve our products, we reserve the right to make changes judged to be necessary.

CONFIDENTIAL AND PROPRIETARY INFORMATION

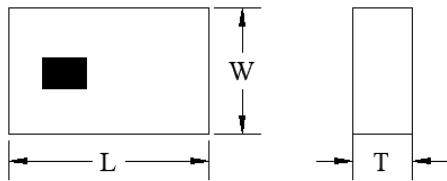
This document contains confidential and proprietary information of Pulse Electronics, Inc. (Pulse) and is protected by copyright, trade secret and other state and federal laws. Its receipt or possession does not convey any rights to reproduce, disclose its contents, or to manufacture, use or sell anything it may describe. Reproduction, disclosure or use without specific written authorization of Pulse is strictly forbidden.

Description: 2012 Triplexer

PART NUMBER: TPX2012LKTFR1525L

MECHANICAL DIMENSION

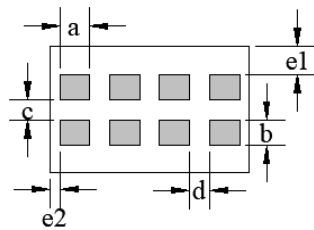
Outline



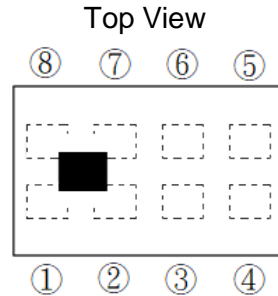
Dimension

L	W	T	a
2.00±0.15	1.25±0.15	0.75 max.	0.30±0.10
b	c	d	e1
0.25±0.10	0.20±0.10	0.20±0.10	0.275±0.10
e2			
0.10±0.10			

NOTE : Dimensions in mm.



Termination

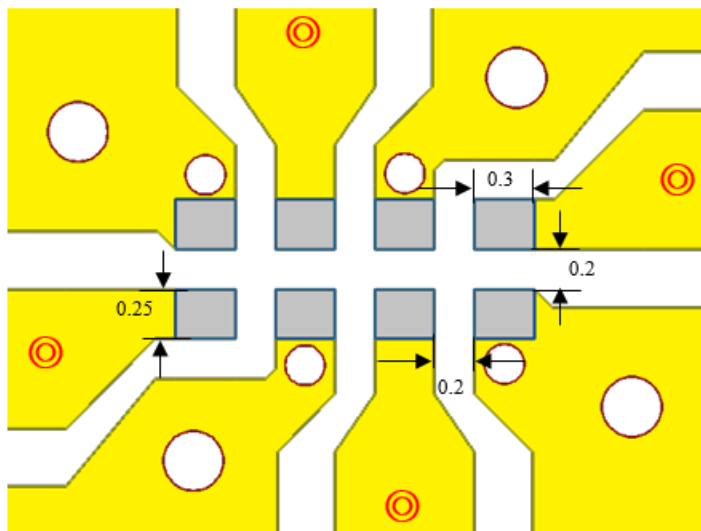


Terminal name

Function

1	Low band
2	GND
3	Common
4	GND
5	Middle Band
6	GND
7	High band
8	GND

Reference design of EVB



Unit : mm

Ⓢ Line width should be designed to match 50Ω characteristic impedance, depending on PCB material and thickness.

In the effort to improve our products, we reserve the right to make changes judged to be necessary.

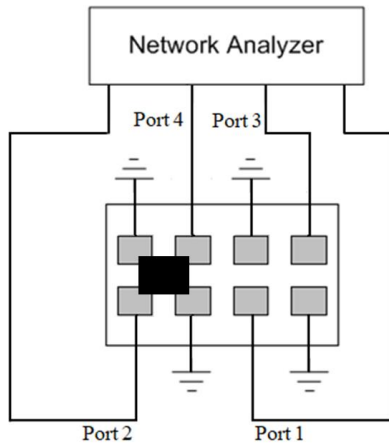
CONFIDENTIAL AND PROPRIETARY INFORMATION

This document contains confidential and proprietary information of Pulse Electronics, Inc. (Pulse) and is protected by copyright, trade secret and other state and federal laws. Its receipt or possession does not convey any rights to reproduce, disclose its contents, or to manufacture, use or sell anything it may describe. Reproduction, disclosure or use without specific written authorization of Pulse is strictly forbidden.

Description: 2012 Triplexer

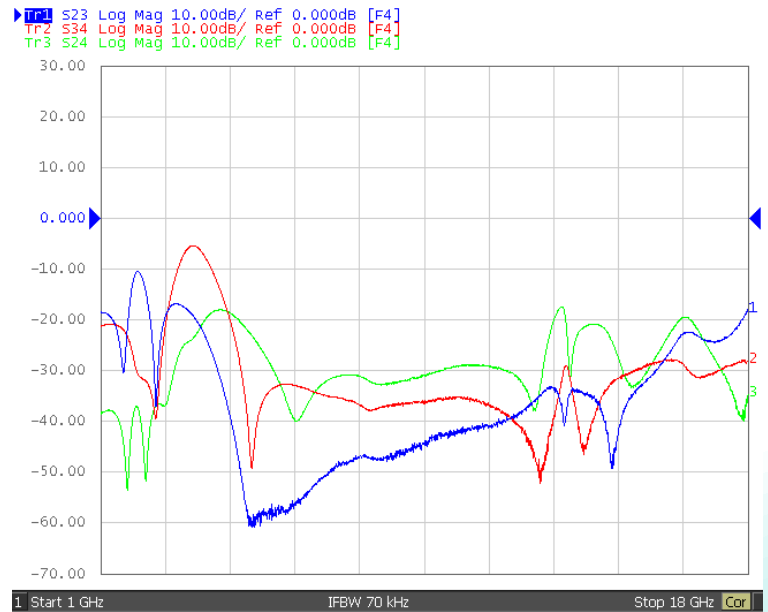
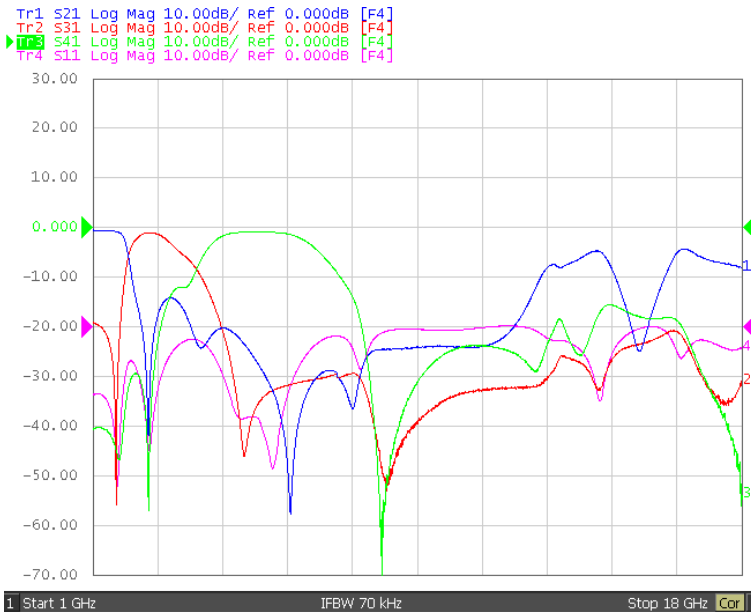
PART NUMBER: TPX2012LKTFR1525L

MEASURING DIAGRAM



Test Instrument :  
Agilent E5071C Network Analyzer or equivalent.

ELECTRICAL PERFORMANCES

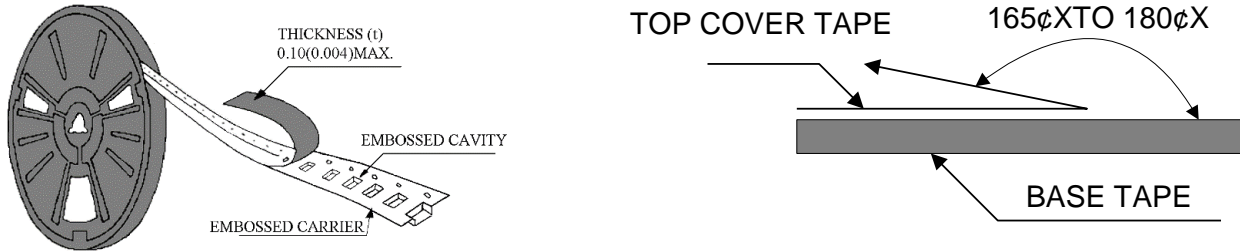


Description: 2012 Triplexer

PART NUMBER: TPX2012LKTFR1525L

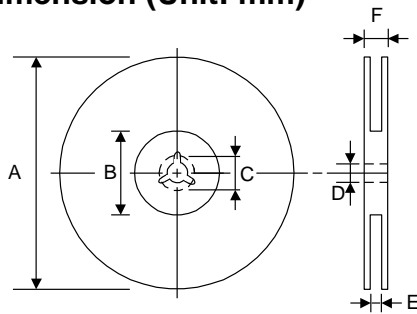
PACKING SPECIFICATION

Peel-off force



The force for peeling of cover tape is 10 grams in the arrow direction.

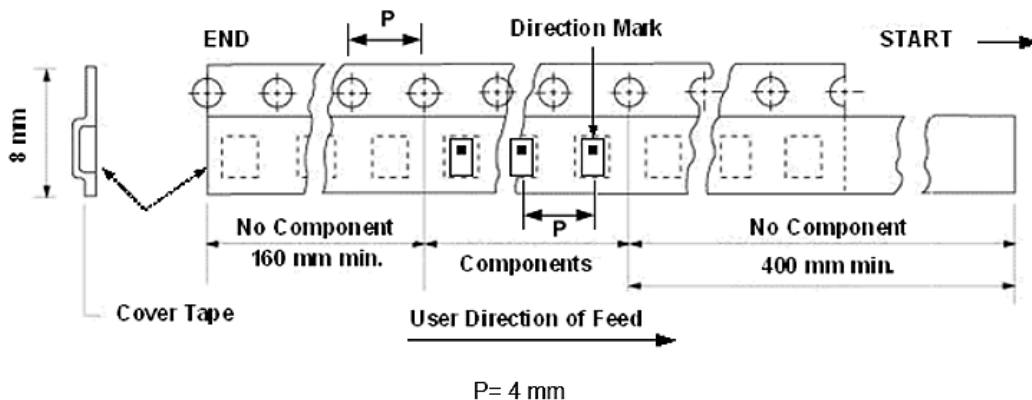
Dimension (Unit: mm)



TYPE	A	B	C	D	E	F
8 mm	178±1	60+0.5 -0	-	13±0.2	9±0.5	12±0.5
12 mm	178±0.3	60±0.2	19.3±0.1	13.5±0.1	13.6±0.1	-

Taping quantity

SERIES	5824 5724	5320 5220	4532	4516	3225	3216 2520	2012 1608	1005 0605
PCS/Reel	5000	3000	1000	2000	2500	3000	4000	10000



In the effort to improve our products, we reserve the right to make changes judged to be necessary.  
CONFIDENTIAL AND PROPRIETARY INFORMATION

This document contains confidential and proprietary information of Pulse Electronics, Inc. (Pulse) and is protected by copyright, trade secret and other state and federal laws. Its receipt or possession does not convey any rights to reproduce, disclose its contents, or to manufacture, use or sell anything it may describe. Reproduction, disclosure or use without specific written authorization of Pulse is strictly forbidden.

**Description: 2012 Triplexer****PART NUMBER: TPX2012LKTFR1525L****REVISION HISTORY**

Revision	Date	Description
Version 1	Nov. 22, 2022	- New issue.