

Description: 2520 Triplexer

PART NUMBER: TPX2520LKTBR0914A

Features:

- Compact Size
- Low loss
- High Soldering Heat Resistance

Applications:

- For LTE/NR application

ELECTRICAL SPECIFICATIONS

Low-Band

Item	Frequency Range (MHz)	Min.	Typ.	Max.
Insertion loss (dB)	698~960	-	0.62	0.8
Return loss (dB)	698~960	10	16.4	-
Attenuation(dB)	1452~1496	12	14.8	-
	1565~1606	15	23.0	-
	1710~2170	17	20.3	-
	2496~2690	30	46.7	-
	3300~4200	30	45.7	-
	4400~5000	30	48.4	-
	4900~5850	30	47.7	-

Middle-band

Item	Frequency Range (MHz)	Min.	Typ.	Max.
Insertion loss (dB)	1452~1496	-	1.85	2.3
	1710~2170	-	1.49	1.6
Return loss (dB)	1452~2170	10	11.9	-
Attenuation(dB)	698~960	21	24.6	-
	2496~2690	17	23.6	-
	3300~3800	15	21.6	-
	3800~4200	20	27.4	-
	4400~5000	20	35.3	-
	4900~5850	20	32.5	-

In the effort to improve our products, we reserve the right to make changes judged to be necessary.

CONFIDENTIAL AND PROPRIETARY INFORMATION

This document contains confidential and proprietary information of Pulse Electronics, Inc. (Pulse) and is protected by copyright, trade secret and other state and federal laws. Its receipt or possession does not convey any rights to reproduce, disclose its contents, or to manufacture, use or sell anything it may describe. Reproduction, disclosure or use without specific written authorization of Pulse is strictly forbidden.

For more information:

Pulse Worldwide Headquarters
15255 Innovation Drive #100
San Diego, CA 92128
USA
Tel:1-858-674-8100

Pulse/Larsen Antennas
18110 SE 34th St Bldg 2 Suite 250
Vancouver, WA 98683
USA
Tel: 1-360-944-7551

Europe Headquarters
Pulse GmbH & Do, KG
Zeppelinstrasse 15
Herrenberg, Germany
Tel: 49 7032 7806 0

Pulse (Suzhou) Wireless Products Co, Inc.
99 Huo Ju Road(#29 Bldg,4th Phase
Suzhou New District
Jiangsu Province, Suzhou 215009 PR China
Tel: 86 512 6807 9998



Description: 2520 Triplexer

PART NUMBER: TPX2520LKTBR0914A

ELECTRICAL SPECIFICATIONS

High-Band

Item	Frequency Range (MHz)	Min.	Typ.	Max.
Insertion loss (dB)	2496~2690	-	1.22	1.55
	3300~4200	-	0.59	1.0
	4400~5000	-	0.65	1.0
	4900~5850	-	0.58	1.0
Return loss (dB)	2496~5850	10	12.2	-
Attenuation(dB)	698~960	23	34.9	-
	1452~1496	30	35.7	-
	1710~2170	16	23.9	-

Common

Item	Frequency Range (MHz)	Min.	Typ.	Max.
Return loss (dB)	698~960	10	16.3	-
	1452~2170	10	12.8	-
	2496~5850	10	12.0	-

Isolation

Item	Frequency Range (MHz)	Min.	Typ.	Max.
Low to Middle band (dB)	698~960	21	24.2	-
	1452~1496	12	18.4	-
	1710~2170	17	21.1	-
Middle to High band (dB)	1452~1496	30	33.1	-
	1710~2170	16	26.4	-
	2496~2690	17	21.6	-
Low to High band (dB)	698~960	28	34.2	-
	2496~2690	35	50	-

Operating Temperature Range : -40~85°C

Power Capacity : 3W max.

Description: 2520 Triplexer

PART NUMBER: TPX2520LKTBR0914A

MECHANICAL DIMENSION

Outline

Dimension

L	W	T	a
2.50±0.15	2.00±0.15	0.65max.	0.40±0.10
b	c	d	e
0.55±0.10	0.30±0.10	0.40±0.10	0.90±0.15

NOTE : Dimensions in mm.

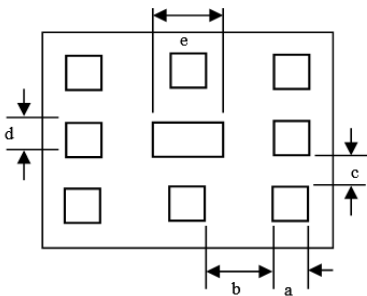
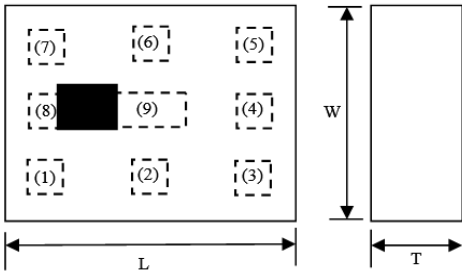
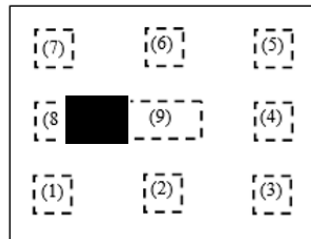
Termination

Terminal name

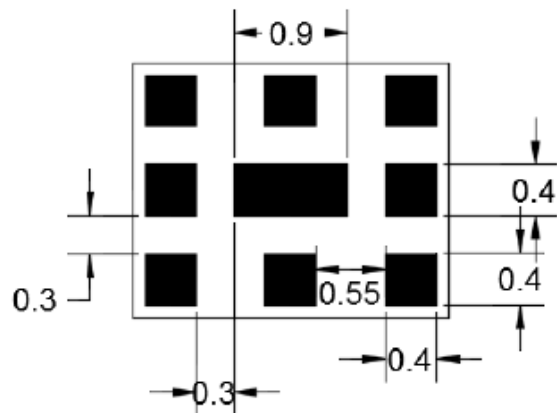
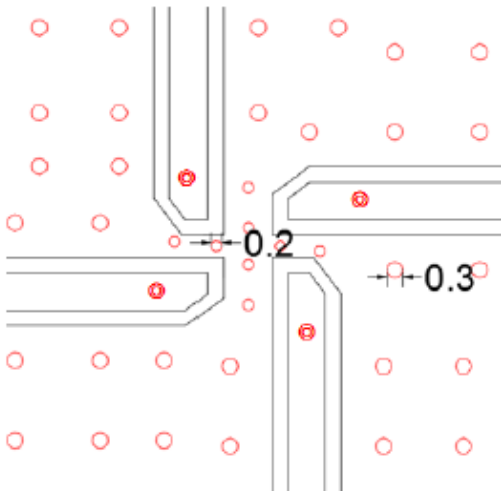
Dimension

1	High band
2	GND
3	Middle band
4	GND
5	Low band
6	GND
7	Common
8	GND
9	GND

Top View



Reference design of EVB



Unit : mm

Line width should be designed to match 50Ω characteristic impedance, depending on PCB material and thickness.

In the effort to improve our products, we reserve the right to make changes judged to be necessary.

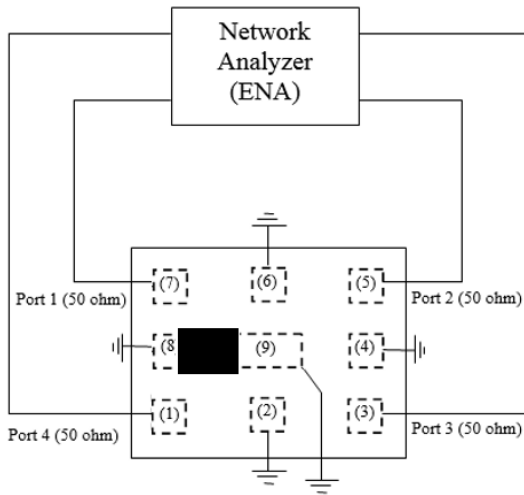
CONFIDENTIAL AND PROPRIETARY INFORMATION

This document contains confidential and proprietary information of Pulse Electronics, Inc. (Pulse) and is protected by copyright, trade secret and other state and federal laws. Its receipt or possession does not convey any rights to reproduce, disclose its contents, or to manufacture, use or sell anything it may describe. Reproduction, disclosure or use without specific written authorization of Pulse is strictly forbidden.

Description: 2520 Triplexer

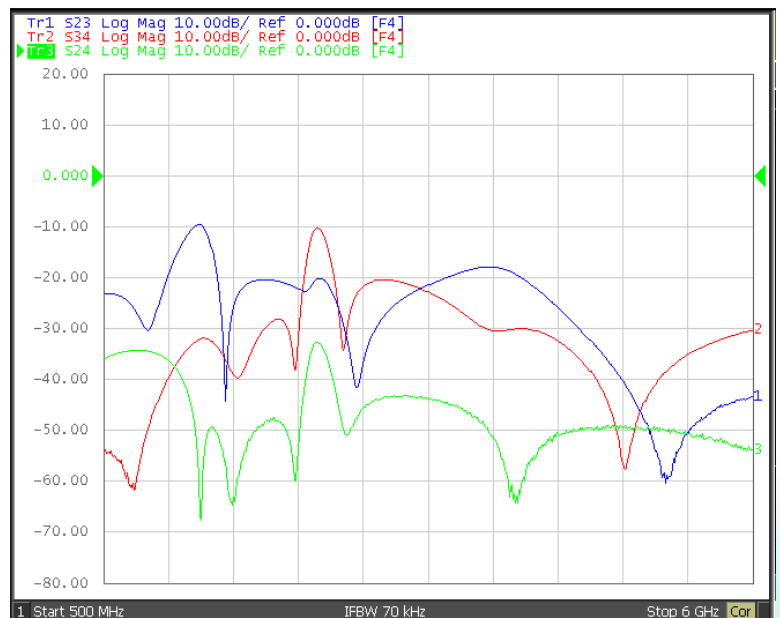
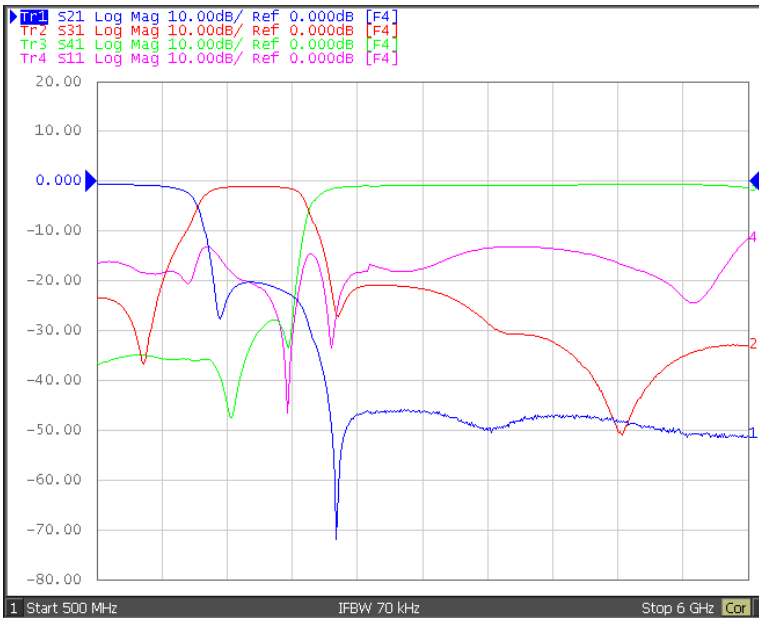
PART NUMBER: TPX2520LKTBR0914A

MEASURING DIAGRAM



Test Instrument :
Agilent E5071C Network Analyzer or equivalent.

ELECTRICAL PERFORMANCES

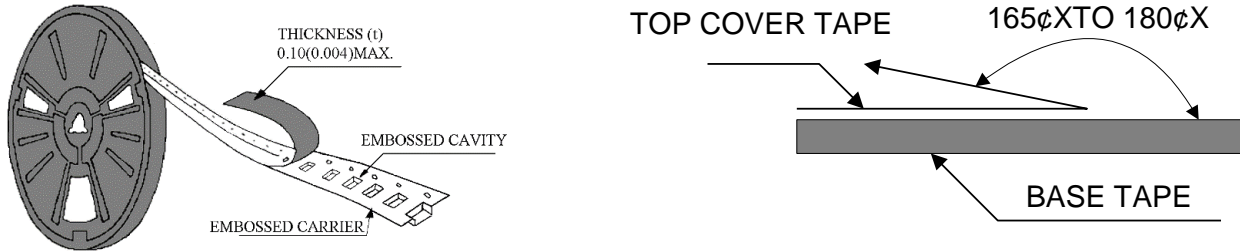


Description: 2520 Triplexer

PART NUMBER: TPX2520LKTBR0914A

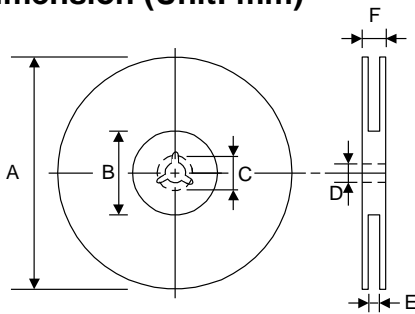
PACKING SPECIFICATION

Peel-off force



The force for peeling of cover tape is 10 grams in the arrow direction.

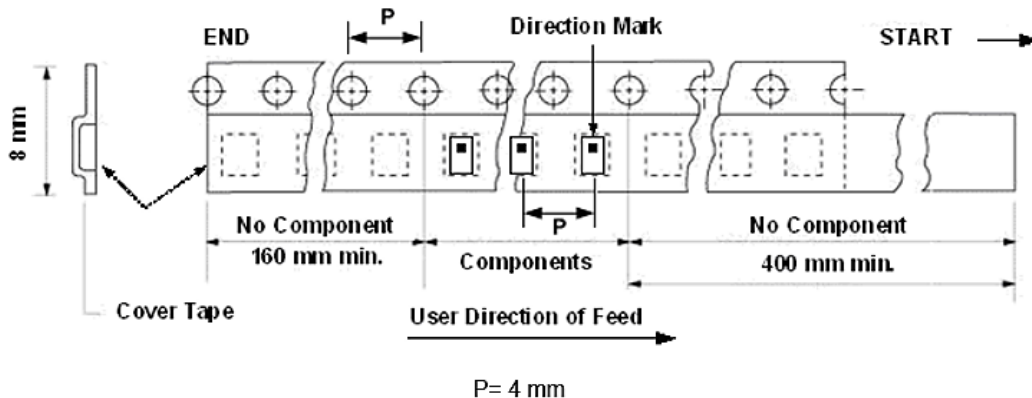
Dimension (Unit: mm)



TYPE	A	B	C	D	E	F
8 mm	178±1	60+0.5 -0	-	13±0.2	9±0.5	12±0.5
12 mm	178±0.3	60±0.2	19.3±0.1	13.5±0.1	13.6±0.1	-

Taping quantity

SERIES	5824 5724	5320 5220	4532	4516	3225	3216 2520	2012 1608	1005 0605
PCS/Reel	5000	3000	1000	2000	2500	3000	4000	10000



In the effort to improve our products, we reserve the right to make changes judged to be necessary.
CONFIDENTIAL AND PROPRIETARY INFORMATION

This document contains confidential and proprietary information of Pulse Electronics, Inc. (Pulse) and is protected by copyright, trade secret and other state and federal laws. Its receipt or possession does not convey any rights to reproduce, disclose its contents, or to manufacture, use or sell anything it may describe. Reproduction, disclosure or use without specific written authorization of Pulse is strictly forbidden.

Description: 2520 Triplexer**PART NUMBER: TPX2520LKTBR0914A****REVISION HISTORY**

Revision	Date	Description
Version 1	Apr. 13, 2022	- New issue