

**Description: 13.56MHz NFC Ferrite Antenna with coax feed and U.FL connector**

**Series: NFC Antenna**

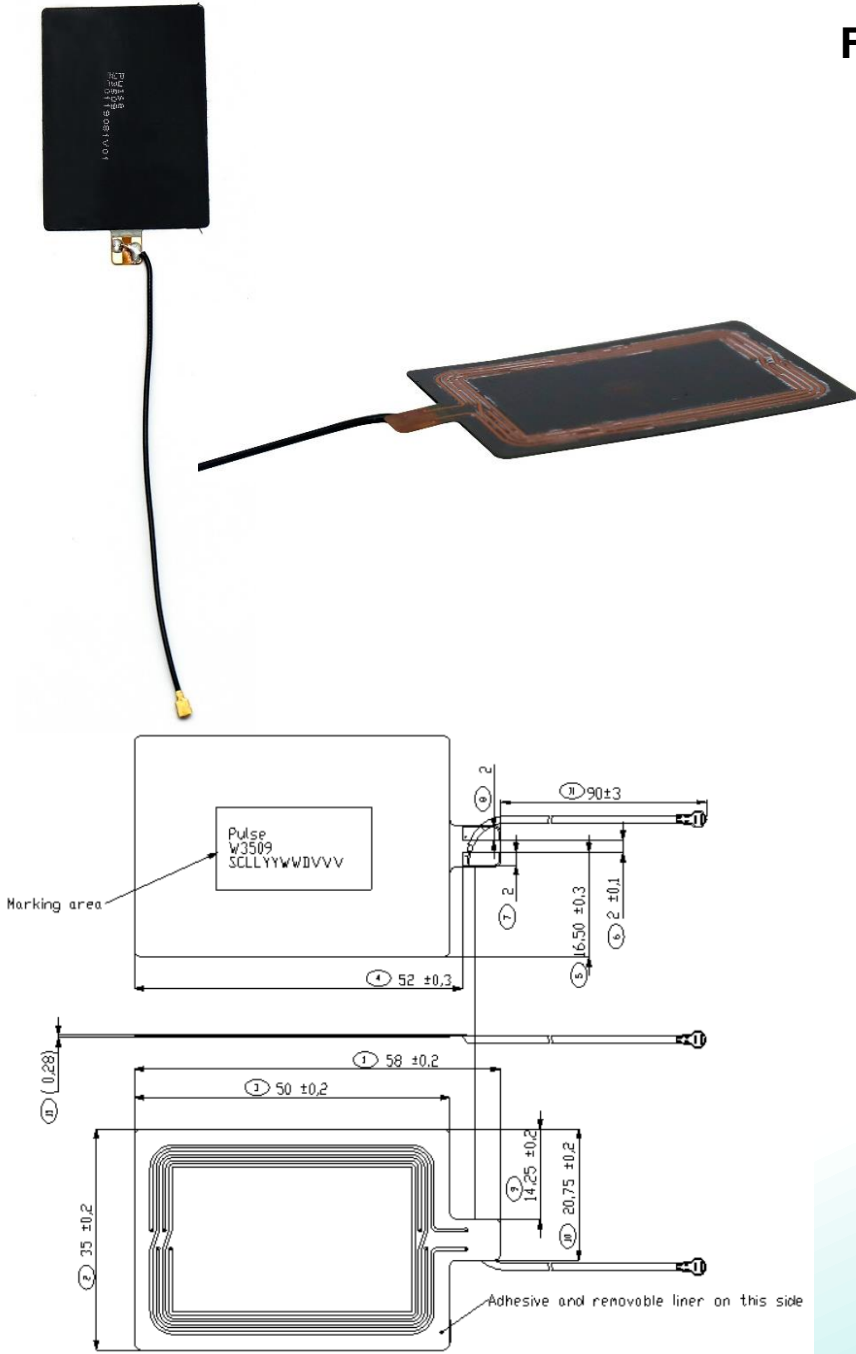
**PART NUMBER: W3509**

**Features:**

- Flex PCB antenna
- Coax cable feed with U.FL connector
- Ferrite sheet to enable operation on top of metallic surface
- Mounting with adhesive tape (included)

**Applications:**

- Near Field Communication
- Pairing, Sharing
- Connection to RFID tags
- Payment, EMVCo
- Phones, Infotainment, PoS terminals, Toys, Asset Tracking



Issue: 1910

In the effort to improve our products, we reserve the right to make changes judged to be necessary.

CONFIDENTIAL AND PROPRIETARY INFORMATION

This document contains confidential and proprietary information of Pulse Electronics, Inc. (Pulse) and is protected by copyright, trade secret and other state and federal laws. Its receipt or possession does not convey any rights to reproduce, disclose its contents, or to manufacture, use or sell anything it may describe. Reproduction, disclosure or use without specific written authorization of Pulse is strictly forbidden.

For more information:

Pulse Worldwide Headquarters  
12220 World Trade Drive  
San Diego, CA 92128  
USA  
Tel: 1-858-674-8100

Pulse/Larsen Antennas  
3611 NE 112<sup>th</sup> Ave  
Vancouver, WA 98682  
USA  
Tel: 1-360-944-7551

Europe Headquarters  
Pulse GmbH & Do, KG  
Zeppelinstrasse 15  
Herrenberg, Germany  
Tel: 49 7032 7806 0

Pulse (Suzhou) Wireless Products Co, Inc.  
99 Huo Ju Road(#29 Bldg, 4<sup>th</sup> Phase  
Suzhou New District  
Jiangsu Province, Suzhou 215009 PR China  
Tel: 86 512 6807 9998



**Description: 13.56MHz NFC Ferrite Antenna with coax feed and U.FL connector**

**Series: NFC Antenna**

**PART NUMBER: W3509**

## ELECTRICAL SPECIFICATIONS

Frequency *	13.56 MHz
Reading Distance (EMVCo) *	40 mm
Reading Distance (Grid Scan avg) *	29 mm
Impedance *	50 Ohm
Self Resonance Frequency **	32 MHz
Inductance @ 1MHz **	1.8 uH
Resistance @ 1MHz **	0.9 Ohm
Q-Factor **	35.9
Matched Q-Value ***	5-30

### Note:

- Electrical characteristics depend from distance of metal objects and the location of the antenna on the device
- Data shown in above table is measured in free space

\* With matching network

\*\* Bare coil without any matching network

\*\*\* With matching network adjustable. Typical network picture refer to page 3

**Description: 13.56MHz NFC Ferrite Antenna with coax feed and U.FL connector**

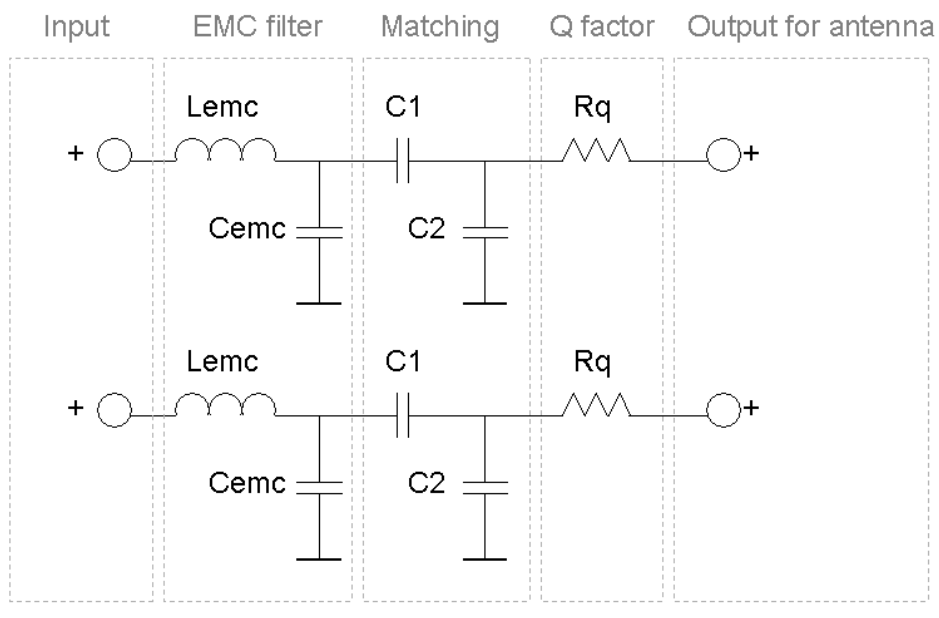
**Series: NFC Antenna**

**PART NUMBER: W3509**

**ELECTRICAL SPECIFICATIONS**

**Recommended matching network**

Component	Value	Note
L <sub>emc</sub>	560 nH	Filter resonance at 15.4 MHz
C <sub>emc</sub>	180 pF	Filter resonance at 15.4 MHz
C1	22 pF	Antenna matching component, value depends on the antenna environment Antenna matching
C2 (Includes C2a and C2b values)	132 pF	Antenna matching component, value depends on the antenna environment Antenna matching
R <sub>q</sub>	00hm	R <sub>q</sub> resistors used to lower Q-value



Issue: 1910

In the effort to improve our products, we reserve the right to make changes judged to be necessary.

CONFIDENTIAL AND PROPRIETARY INFORMATION

This document contains confidential and proprietary information of Pulse Electronics, Inc. (Pulse) and is protected by copyright, trade secret and other state and federal laws. Its receipt or possession does not convey any rights to reproduce, disclose its contents, or to manufacture, use or sell anything it may describe. Reproduction, disclosure or use without specific written authorization of Pulse is strictly forbidden.

**Description: 13.56MHz NFC Ferrite Antenna  
with coax feed and U.FL connector**

**Series: NFC Antenna**

**PART NUMBER: W3509**

## MECHANICAL SPECIFICATIONS

Color	Black
Weight	1.7 g
Coil + ferrite dimensions + tape	1.38x1.97x0.012 in (35x50x0.30) mm
Cable length	3.54 (90) in/mm
Cable type	1.13mm OD mini coax
Connector	U.FL compatible
Fixing system	Adhesive tape

## ENVIRONMENTAL SPECIFICATIONS

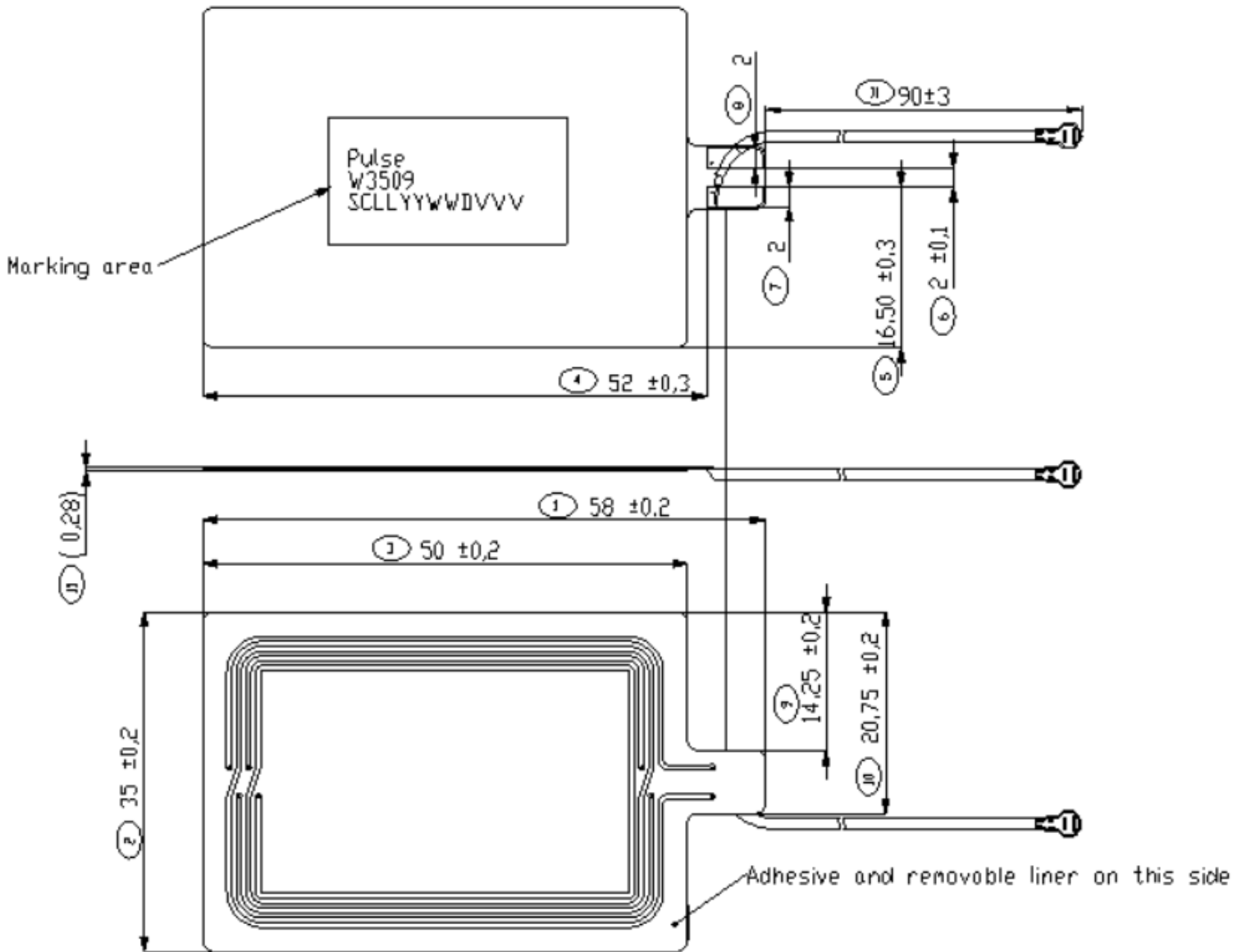
Operating temperature	-40 to +85 ° C
-----------------------	----------------

**Description: 13.56MHz NFC Ferrite Antenna with coax feed and U.FL connector**

**Series: NFC Antenna**

**PART NUMBER: W3509**

**MECHANICAL DRAWING**



Issue: 1910

In the effort to improve our products, we reserve the right to make changes judged to be necessary.

CONFIDENTIAL AND PROPRIETARY INFORMATION

This document contains confidential and proprietary information of Pulse Electronics, Inc. (Pulse) and is protected by copyright, trade secret and other state and federal laws. Its receipt or possession does not convey any rights to reproduce, disclose its contents, or to manufacture, use or sell anything it may describe. Reproduction, disclosure or use without specific written authorization of Pulse is strictly forbidden.

**Description: 13.56MHz NFC Ferrite Antenna  
with coax feed and U.FL connector**

**Series: NFC Antenna**

**PART NUMBER: W3509**

## OTHER SPECIFICATIONS

### Mounting of NFC Antenna:

1. Recommend mounting of NFC antenna: Inside surface of device cover
2. Surface texture of face of joint: VDI 3400 NO. 24 (Ra 1.6) of equal
3. Double-curvature on face of joint are not recommended

## PACKAGING

Pack 100pcs antennae in sealed PE bag, 10 bags in one box