

Description: 1.9mm C-Clip for RF contacts**Series:** Contact clip**PART NUMBER:** W9914X**Features:**

- Stainless Steel C-Clip
- Footprint size 1.50 x 3.73mm
- Compressed nominal height 1.9mm
- Spring force 50 cN
- Gold plating
- RoHS compliant

**Applications:**

- RF contacts
- Feed and Ground connections
- SMD assembly

All dimensions are in mm / inches

Issue: 2105

In the effort to improve our products, we reserve the right to make changes judged to be necessary.

CONFIDENTIAL AND PROPRIETARY INFORMATION

This document contains confidential and proprietary information of Pulse Electronics, Inc. (Pulse) and is protected by copyright, trade secret and other state and federal laws. Its receipt or possession does not convey any rights to reproduce, disclose its contents, or to manufacture, use or sell anything it may describe. Reproduction, disclosure or use without specific written authorization of Pulse is strictly forbidden.

For more information:

Pulse Worldwide Headquarters
15255 Innovation Drive #100
San Diego, CA 92128
USA
Tel: 1-858-674-8100

Pulse/Larsen Antennas
18110 SE 34th St Bldg 2 Suite 250
Vancouver, WA 98683
USA
Tel: 1-360-944-7551

Europe Headquarters
Pulse GmbH & Do, KG
Zeppelinstrasse 15
Herrenberg, Germany
Tel: 49 7032 7806 0

Pulse (Suzhou) Wireless Products Co, Inc.
99 Huo Ju Road(#29 Bldg,4th Phase
Suzhou New District
Jiangsu Province, Suzhou 215009 PR China
Tel: 86 512 6807 9998



Description: 1.9mm C-Clip for RF contacts**Series:** Contact clip**PART NUMBER:** W9914X**This document covers all product variants of the following product family**

Product	Plating	Remark
W9914	Ni+Au all over, Ni: 1-3 μ m, Au: (Hard gold) 0.40 \pm 0.1 μ m	
W9914A	Ni+Au all over, Ni: 1-3 μ m, Au: (Hard gold) 0.1 μ m minimum	Thinner Au plating thickness

P.S. W9914 and W9914A are the same part, just with different Au plating thickness.

Description: 1.9mm C-Clip for RF contacts**Series:** Contact clip**PART NUMBER:** W9914X**MECHANICAL SPECIFICATIONS**

Length	3.73mm
Width	1.50mm
Height (decompressed)	2.60mm
Nominal compressed height	1.90mm
Weight	0.01g
Material	Stainless steel, Thickness 0.12 ± 0.01 mm
Plating	W9914: Ni+Au all over Ni: 1-3 μ m Au: (Hard gold) 0.40 ± 0.1 μ m
	W9914A: Ni+Au all over Ni: 1-3 μ m Au: (Hard gold) 0.1 μ m minimum

ENVIRONMENTAL SPECIFICATIONS

Operating Temperature	-40 to +85 ° C
Storage Temperature	-40 to +85 ° C
Contact force	50 cN min.
Mechanical lifetime	100 mating cycles min.
RoHS Compliant	Yes

Issue: 2105

In the effort to improve our products, we reserve the right to make changes judged to be necessary.

CONFIDENTIAL AND PROPRIETARY INFORMATION

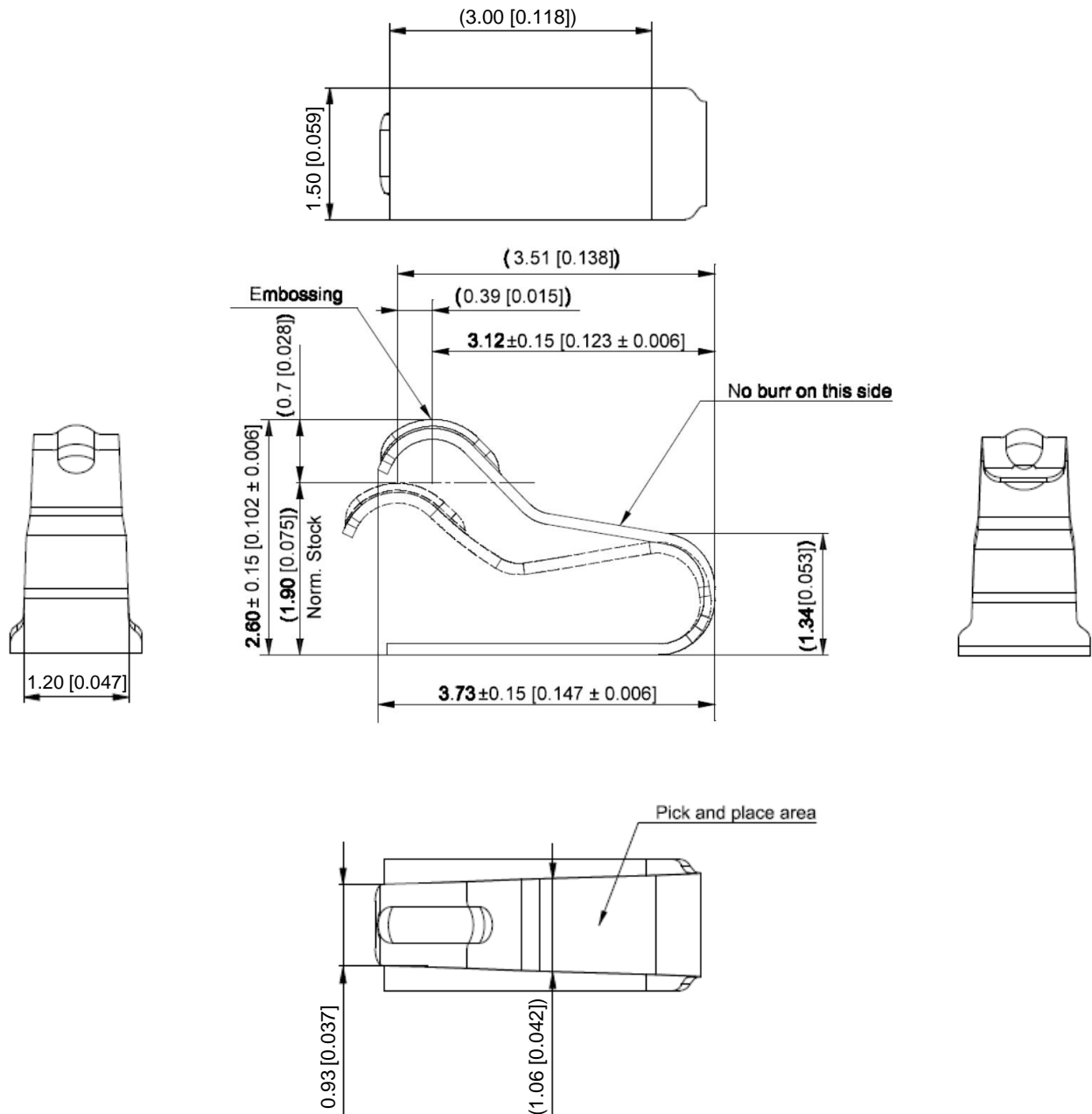
This document contains confidential and proprietary information of Pulse Electronics, Inc. (Pulse) and is protected by copyright, trade secret and other state and federal laws. Its receipt or possession does not convey any rights to reproduce, disclose its contents, or to manufacture, use or sell anything it may describe. Reproduction, disclosure or use without specific written authorization of Pulse is strictly forbidden.

Description: 1.9mm C-Clip for RF contacts

Series: Contact clip

PART NUMBER: W9914X

MECHANICAL DRAWING



P.S. W9914 and W9914A are the same part, just with different Au plating thickness.

Issue: 2105

In the effort to improve our products, we reserve the right to make changes judged to be necessary.

CONFIDENTIAL AND PROPRIETARY INFORMATION

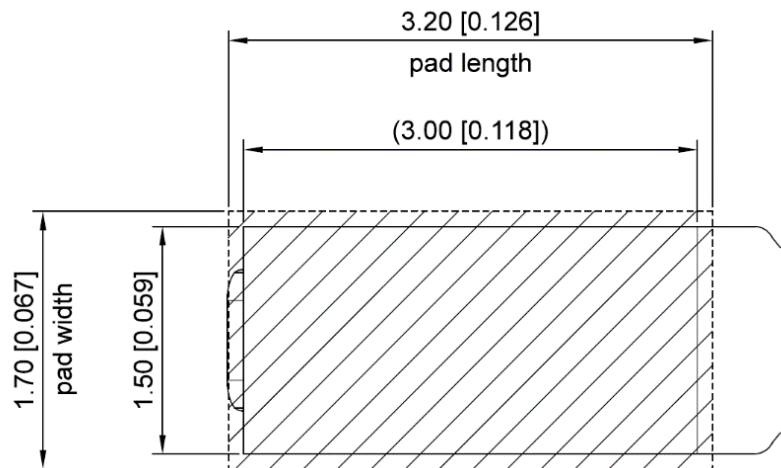
This document contains confidential and proprietary information of Pulse Electronics, Inc. (Pulse) and is protected by copyright, trade secret and other state and federal laws. Its receipt or possession does not convey any rights to reproduce, disclose its contents, or to manufacture, use or sell anything it may describe. Reproduction, disclosure or use without specific written authorization of Pulse is strictly forbidden.

Description: 1.9mm C-Clip for RF contacts**Series:** Contact clip**PART NUMBER:** W9914X**PACKAGING**

Tape & reel. Packaging unit: 5,000 pcs per reel, 40,000 pcs per box.

ASSEMBLY

Recommended PWB pad layout:



Issue: 2105

In the effort to improve our products, we reserve the right to make changes judged to be necessary.

CONFIDENTIAL AND PROPRIETARY INFORMATION

This document contains confidential and proprietary information of Pulse Electronics, Inc. (Pulse) and is protected by copyright, trade secret and other state and federal laws. Its receipt or possession does not convey any rights to reproduce, disclose its contents, or to manufacture, use or sell anything it may describe. Reproduction, disclosure or use without specific written authorization of Pulse is strictly forbidden.