

Track Shaped Receive Wireless Charge Coil

Pulse Part Number WMRR132F-0

V03



Features

- Magnetic Coil: antifreeze plate + coil
- Meet the Qi international standard, be customized according to order
- Ultrathin 、 compact 、 high efficiency 、 low heat
- Length and gap of the outgoing line is customizability

Application

- Wearable wireless charge

Electrical specifications

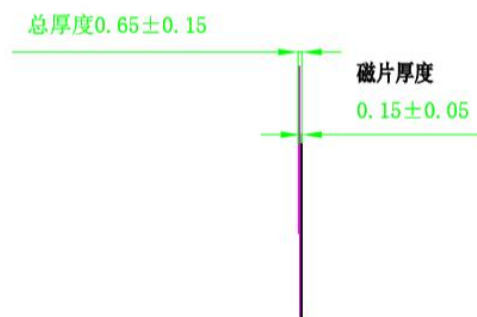
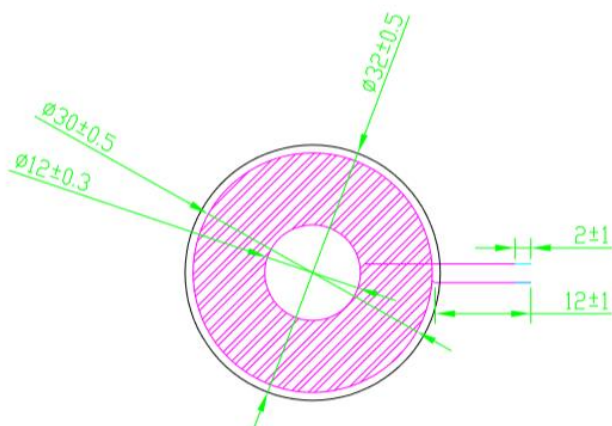
| | |
|-----------------------------|--------------------------|
| Output Voltage(V) | 5 |
| Maximum Output Current (mA) | 100-400(max) |
| Inductance(uH) | $11.5 \pm 10\%$ |
| Internal Resistance (mΩ) | $590 \pm 10\%$ |
| Wire Diameter (mm) | $0.15\text{mm} \pm 0.05$ |
| Testing Environment | 100KHZ 1V |

Track Shaped Receive Wireless Charge Coil

Pulse Part Number WMRR132F-0

V03

Mechanical dimensions



技术参数:

1. 工件表面平整光滑，无明显伤痕。
2. 线圈为 $\phi 0.15$ 的本黄色热风酒精自沾漆包线，三线并绕
3. 电感量: $12.5 \pm 10\% \mu\text{H}$