

Description: 25254 GPS&GLONASS Patch Antenna

PART NUMBER: ANT2525B00BT1516S

Features:

- Size : 25x25x4 mm
- Support GPS & GLONASS system
- High radiation efficiency
- Reflow process compatible
- RoHS compliant



Applications:

- Navigation device
- Telematics box
- Fleet management

In the effort to improve our products, we reserve the right to make changes judged to be necessary.

CONFIDENTIAL AND PROPRIETARY INFORMATION

This document contains confidential and proprietary information of Pulse Electronics, Inc. (Pulse) and is protected by copyright, trade secret and other state and federal laws. Its receipt or possession does not convey any rights to reproduce, disclose its contents, or to manufacture, use or sell anything it may describe. Reproduction, disclosure or use without specific written authorization of Pulse is strictly forbidden.

For more information:

Pulse Worldwide Headquarters
15255 Innovation Drive #100
San Diego, CA 92128
USA
Tel:1-858-674-8100

Pulse/Larsen Antennas
18110 SE 34th St Bldg 2 Suite 250
Vancouver, WA 98683
USA
Tel: 1-360-944-7551

Europe Headquarters
Pulse GmbH & Do, KG
Zeppelinstrasse 15
Herrenberg, Germany
Tel: 49 7032 7806 0

Pulse (Suzhou) Wireless Products Co, Inc.
99 Huo Ju Road(#29 Bldg,4th Phase
Suzhou New District
Jiangsu Province, Suzhou 215009 PR China
Tel: 86 512 6807 9998



Description: 25254 GPS&GLONASS Patch Antenna

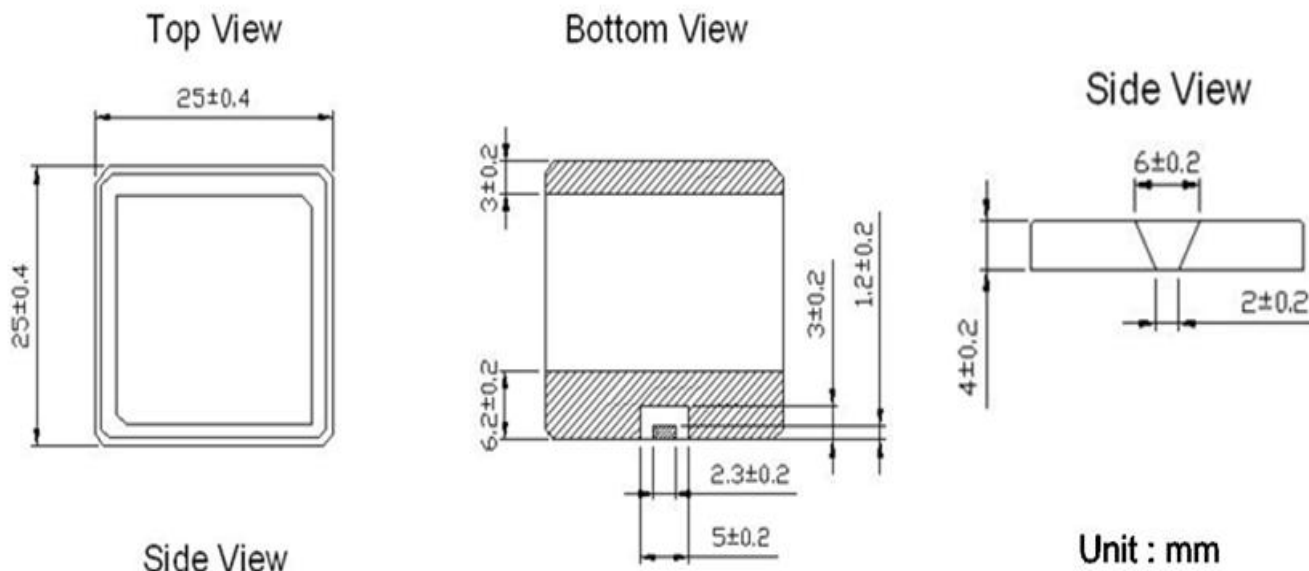
PART NUMBER: ANT2525B00BT1516S

ELECTRICAL SPECIFICATIONS

Working Frequency	1575~1606 MHz
Bandwidth	GPS: 20 MHz(Typ.) GLOASS: 20 MHz(Typ.)
Gain	GPS: 4.72 dBi (Typ.) GLONASS: 4.51 dBi (Typ.)
VSWR. /Return Loss	2.0 Max /10.0 dB Min
Polarization	RHCP
Axis Ratio	≤ 10 dBi
Impedance	50 Ω
Operating Temperature	- 40~105 °C

- NOTE
1. Based on 50×50mm² square ground plane.
 2. Centre frequency will be offset to working frequency while changes of customer's housing and ground plane.
 3. Please contact local sales if you need customized design to gain optimum antenna performance.

MECHANICAL DRAWING



In the effort to improve our products, we reserve the right to make changes judged to be necessary.

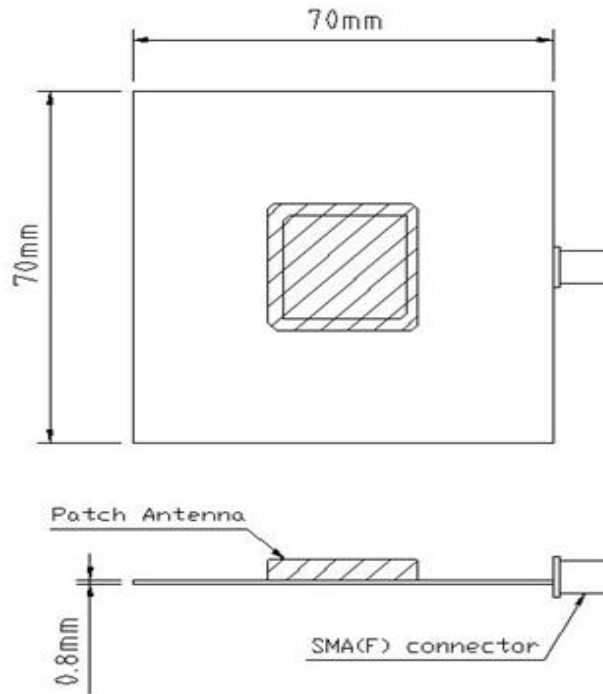
CONFIDENTIAL AND PROPRIETARY INFORMATION

This document contains confidential and proprietary information of Pulse Electronics, Inc. (Pulse) and is protected by copyright, trade secret and other state and federal laws. Its receipt or possession does not convey any rights to reproduce, disclose its contents, or to manufacture, use or sell anything it may describe. Reproduction, disclosure or use without specific written authorization of Pulse is strictly forbidden.

Description: 25254 GPS&GLONASS Patch Antenna

PART NUMBER: ANT2525B00BT1516S

REFERENCE DESIGN OF EVALUATION BOARD



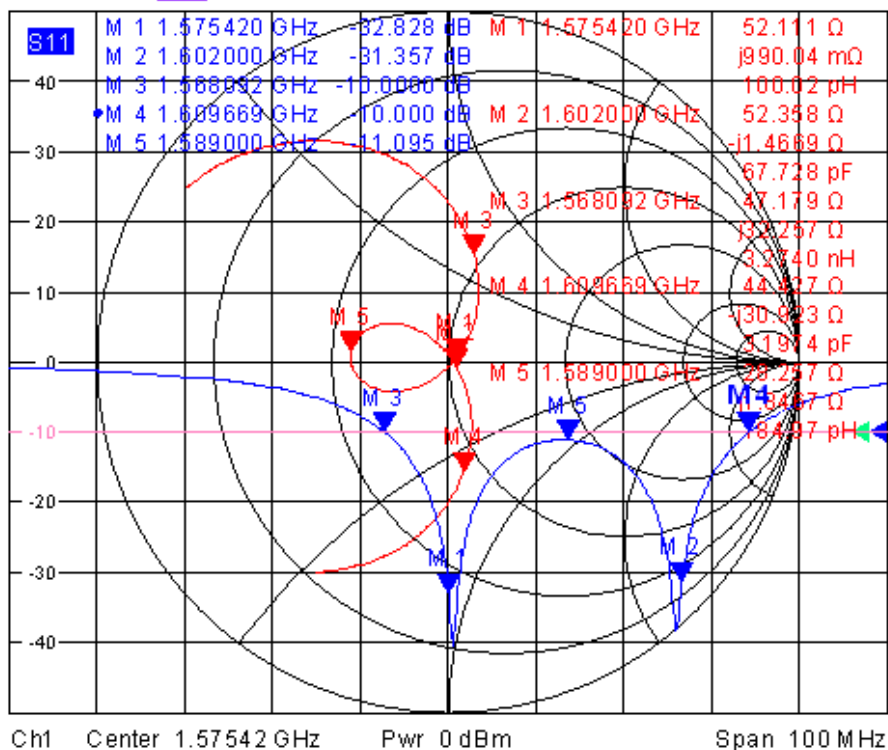
[Evaluation Board

Description: 25254 GPS&GLONASS Patch Antenna

PART NUMBER: ANT2525B00BT1516S

REFERENCE DESIGN OF EVALUATION BOARD

Trc1 S11 dB Mag 10 dB / Ref-10 dB Cal 1 of 1 (Max)
 Trc2 S11 Smith Ref1 U Cal
 Mem3[Trc1] S11 dB Mag 10 dB / Ref-10 dB Invisible
 Mem4[Trc2] S11 Smith Ref1 U Invisible



[Return Loss

In the effort to improve our products, we reserve the right to make changes judged to be necessary.

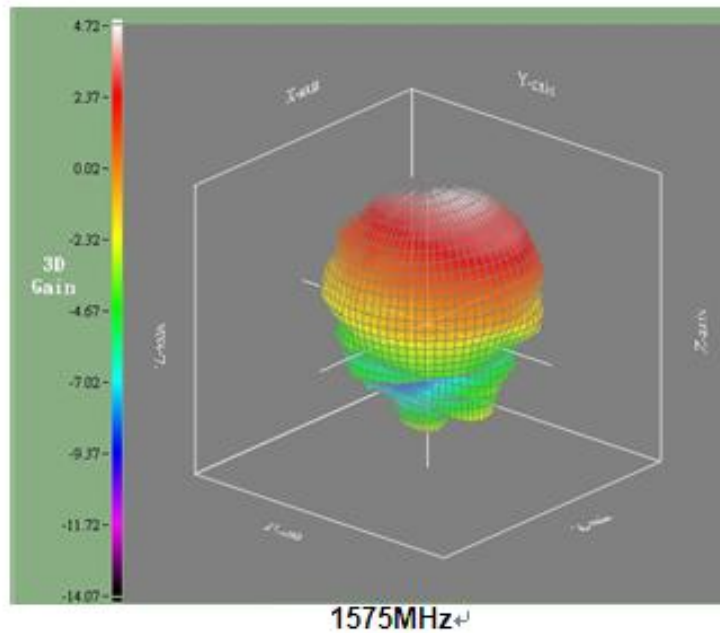
CONFIDENTIAL AND PROPRIETARY INFORMATION

This document contains confidential and proprietary information of Pulse Electronics, Inc. (Pulse) and is protected by copyright, trade secret and other state and federal laws. Its receipt or possession does not convey any rights to reproduce, disclose its contents, or to manufacture, use or sell anything it may describe. Reproduction, disclosure or use without specific written authorization of Pulse is strictly forbidden.

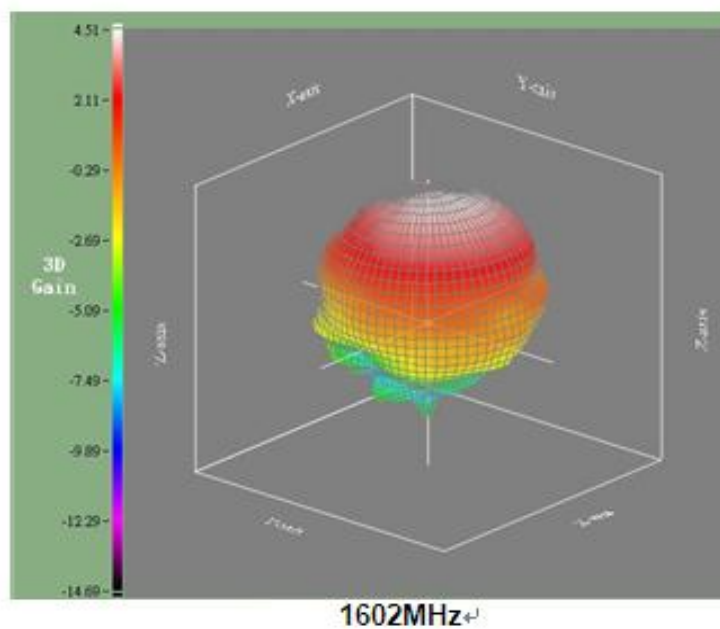
Description: 25254 GPS&GLONASS Patch Antenna

PART NUMBER: ANT2525B00BT1516S

ELECTRICAL PERFORMANCES



Radiation Pattern (Frequency = 1575MHz)



Radiation pattern (Frequency = 1602MHz)

In the effort to improve our products, we reserve the right to make changes judged to be necessary.

CONFIDENTIAL AND PROPRIETARY INFORMATION

This document contains confidential and proprietary information of Pulse Electronics, Inc. (Pulse) and is protected by copyright, trade secret and other state and federal laws. Its receipt or possession does not convey any rights to reproduce, disclose its contents, or to manufacture, use or sell anything it may describe. Reproduction, disclosure or use without specific written authorization of Pulse is strictly forbidden.

Description: 25254 GPS&GLONASS Patch Antenna

PART NUMBER: ANT2525B00BT1516S

REVISION HISTORY

Revision	Date	Description
Version 1	Oct. 14, 2020	- New issue

In the effort to improve our products, we reserve the right to make changes judged to be necessary.

CONFIDENTIAL AND PROPRIETARY INFORMATION

This document contains confidential and proprietary information of Pulse Electronics, Inc. (Pulse) and is protected by copyright, trade secret and other state and federal laws. Its receipt or possession does not convey any rights to reproduce, disclose its contents, or to manufacture, use or sell anything it may describe. Reproduction, disclosure or use without specific written authorization of Pulse is strictly forbidden.